



Chipsmall Limited consists of a professional team with an average of over 10 year of expertise in the distribution of electronic components. Based in Hongkong, we have already established firm and mutual-benefit business relationships with customers from,Europe,America and south Asia,supplying obsolete and hard-to-find components to meet their specific needs.

With the principle of “Quality Parts,Customers Priority,Honest Operation,and Considerate Service”,our business mainly focus on the distribution of electronic components. Line cards we deal with include Microchip,ALPS,ROHM,Xilinx,Pulse,ON,Everlight and Freescale. Main products comprise IC,Modules,Potentiometer,IC Socket,Relay,Connector.Our parts cover such applications as commercial,industrial, and automotives areas.

We are looking forward to setting up business relationship with you and hope to provide you with the best service and solution. Let us make a better world for our industry!



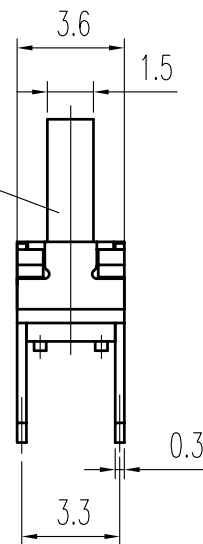
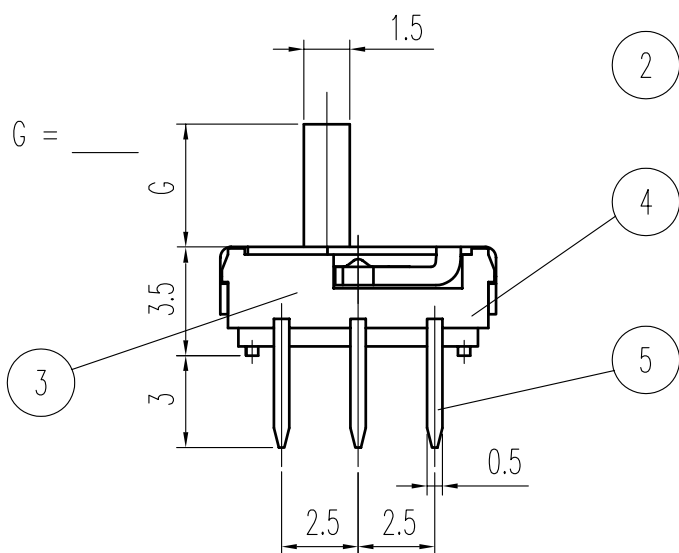
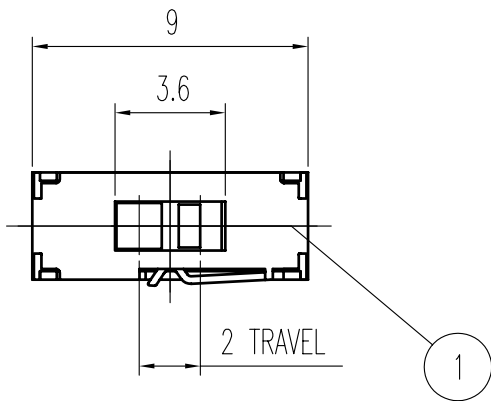
Contact us

Tel: +86-755-8981 8866 Fax: +86-755-8427 6832

Email & Skype: info@chipsmall.com Web: www.chipsmall.com

Address: A1208, Overseas Decoration Building, #122 Zhenhua RD., Futian, Shenzhen, China





2P - 2T

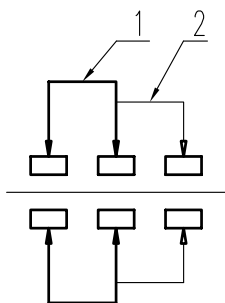
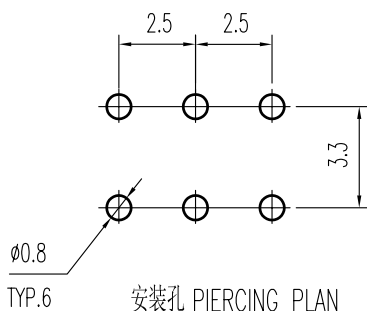


示意图 SCHEMATIC



安装孔 PIERCING PLAN

规格 Specifications

额定负荷 Ratings	DC 6 V 0.3 A
初期接触电阻 Initial Contact Resistance	70 mΩ Max.
绝缘电阻 Insulation Resistance	DC500 V 60 Sec. 100 MΩ Min.
抗电强度 Dielectric Voltage	AC 500 V (50~60HZ) 60 Sec.
操作力 Operating Force (gf)	A → B 200 ± 100
负荷寿命 Operating Life With Load	10,000 次 Cycles

5	端子 TERMINAL	C2680R	6	Ag PLATED	A02	NATURAL → G = 2, 4 见①	王光云	2006-9-14
4	胶壳 HOUSE	PA	1	BLACK C		SS-22D0205-G 2 → SS-22D0205-G 见①		
3	接触片 CONTACT	C5210R	2	Ag CLAD	A01	见①	王光云	06 APR 04
2	胶柄 KNOB	PA	1	G = 2, 4 ①	01		张锦彪	17 MAY 03
1	盖片 COVER	SUS	1	NATURAL	标号 REV	内容 DESCRIPTION	签名 SIGN.	日期 DATE
序NO.	零件 PART	材料 MATERIAL	数量 QTY	备注 REMARKS	DWG NO. ITEM2242			

TOLERANCES UNLESS OTHERWISE SPEC.		TITLE	SLIDE SWITCH		ITEM NO	① SS-22D0205-G		
UNDER 1	± 0.10	DRAWN	王光云	2006-9-14	VERSION	A02	PAGE 1	OF 1
1 - 10	± 0.30	REVIEWED	张念明	2006-9-14	SCALE		UNIT	mm
OVER 10	± 0.50	APPROVED	刘瑞富	2006-9-14	PROJECTION			

COMAX ELECTRONICS (HUIZHOU) CO.,LTD.