



Chipsmall Limited consists of a professional team with an average of over 10 year of expertise in the distribution of electronic components. Based in Hongkong, we have already established firm and mutual-benefit business relationships with customers from,Europe,America and south Asia,supplying obsolete and hard-to-find components to meet their specific needs.

With the principle of "Quality Parts,Customers Priority,Honest Operation,and Considerate Service",our business mainly focus on the distribution of electronic components. Line cards we deal with include Microchip,ALPS,ROHM,Xilinx,Pulse,ON,Everlight and Freescale. Main products comprise IC,Modules,Potentiometer,IC Socket,Relay,Connector.Our parts cover such applications as commercial,industrial, and automotives areas.

We are looking forward to setting up business relationship with you and hope to provide you with the best service and solution. Let us make a better world for our industry!



## Contact us

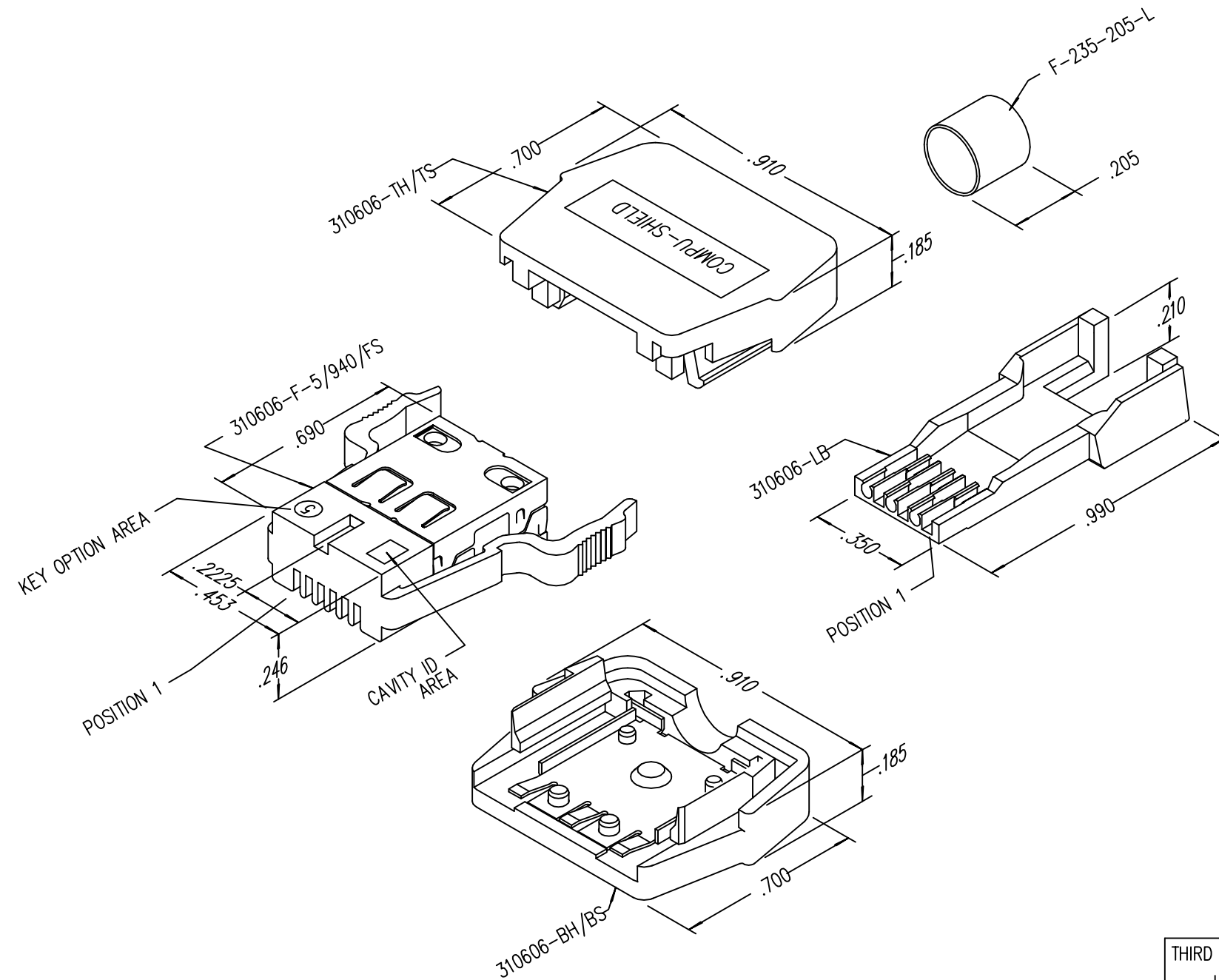
Tel: +86-755-8981 8866 Fax: +86-755-8427 6832

Email & Skype: info@chipsmall.com Web: www.chipsmall.com

Address: A1208, Overseas Decoration Building, #122 Zhenhua RD., Futian, Shenzhen, China



DATE	REV	ECN	APP'D. BY
2-23-06	B3	7515	-
6-11-08	B4	8452	TRM
12-14-10	B5	9103	TRM
1-19-11	B6	9124	SMN
1-5-15	B7	10169	TRM

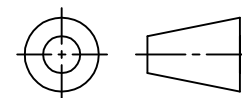


NOTES:

- PLUG MATERIALS:  
 TOP/BOTTOM HOUSING: PC UL94 V-0 COLOR: BLACK  
 FRONT PLASTIC: PC UL94 V-0 COLOR: CLEAR  
 LOAD BAR: PC UL94 V-0 COLOR: CLEAR  
 CONTACTS/SHIELD: COPPER ALLOY  
 SHIELD PLATING: TIN  
 FERRULE PLATING: NICKEL OR TIN  
 CONTACT PLATING: SELECTIVE GOLD IN CONTACT AREA  
 SEE CHART FOR PART NUMBER
- CONTACTS TERMINATE SOLID OR STRANDED CONDUCTORS  
 UP TO .042" OUTSIDE DIAMETER OF INSULATION
- DIMENSIONS AND TOLERANCES COMPLY WITH TIA-1096 STANDARD.
- HOUSING WILL ACCEPT CABLE UP TO .220" OUTSIDE DIAMETER OF JACKET
- FOR PRODUCT SPECIFICATIONS SEE PRO26-01
- TERMINATED PLUG HEIGHT .234±.002 ON CABLE

50 MICRO-INCHES [1.27um]	SS-310606-5
CONTACT PLATING IN MATING AREA	PART NUMBER

THIRD ANGLE PROJECTION



1118 Susquehanna Trail South  
 Glen Rock, PA 17327-9199  
 (717) 235-7512

<http://www.stewartconnector.com>

DO NOT SCALE DRAWING  
 DRAWING IS SUBJECT TO  
 CHANGE WITHOUT NOTICE

TITLE: 6X6 COMPU-SHIELD PLUG FINAL ASSEMBLY

DIMENSIONS: INCHES [METRIC]

UNLESS OTHERWISE SPECIFIED  
 TOLERANCES ARE ±.005 [0.13]  
 ANGLES ARE ± 1°

THIS DRAWING AND THE SUBJECT MATTER SHOWN THEREON ARE  
 CONFIDENTIAL AND THE PROPRIETARY PROPERTY OF STEWART CONNECTOR  
 AND SHALL NOT BE REPRODUCED, COPIED, OR USED IN ANY MANNER WITHOUT  
 PRIOR WRITTEN CONSENT OF STEWART CONNECTOR. THIS PRODUCT  
 MAY BE PROTECTED BY ONE OR MORE OF THE FOLLOWING US PATENTS:  
 5628647 6402559 6409535 6524128  
 7753717 8033863  
 OTHER PATENTS MAY BE PENDING.

DRN BY: KRL DATE 1/31/06

APPD BY: JM DATE 2-1-06

DWG NO. CT310007 REV. B7

SHEET NO. 1 OF 1

