



Chipsmall Limited consists of a professional team with an average of over 10 year of expertise in the distribution of electronic components. Based in Hongkong, we have already established firm and mutual-benefit business relationships with customers from,Europe,America and south Asia,supplying obsolete and hard-to-find components to meet their specific needs.

With the principle of “Quality Parts,Customers Priority,Honest Operation,and Considerate Service”,our business mainly focus on the distribution of electronic components. Line cards we deal with include Microchip,ALPS,ROHM,Xilinx,Pulse,ON,Everlight and Freescale. Main products comprise IC,Modules,Potentiometer,IC Socket,Relay,Connector.Our parts cover such applications as commercial,industrial, and automotives areas.

We are looking forward to setting up business relationship with you and hope to provide you with the best service and solution. Let us make a better world for our industry!



Contact us

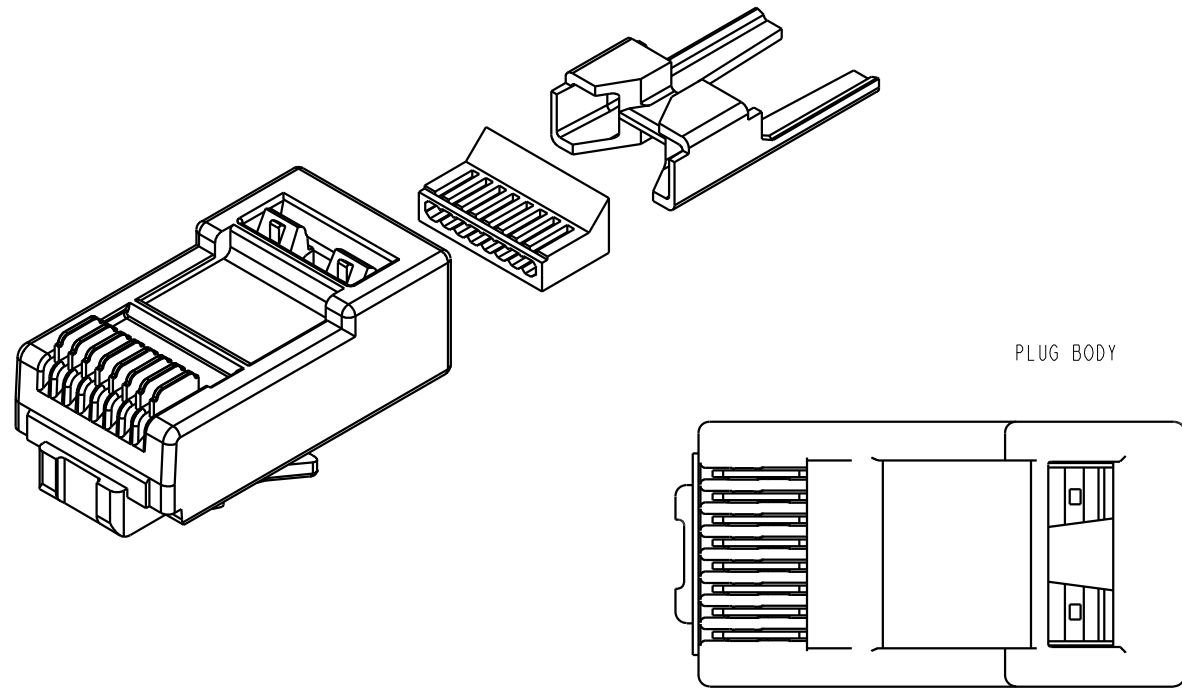
Tel: +86-755-8981 8866 Fax: +86-755-8427 6832

Email & Skype: info@chipsmall.com Web: www.chipsmall.com

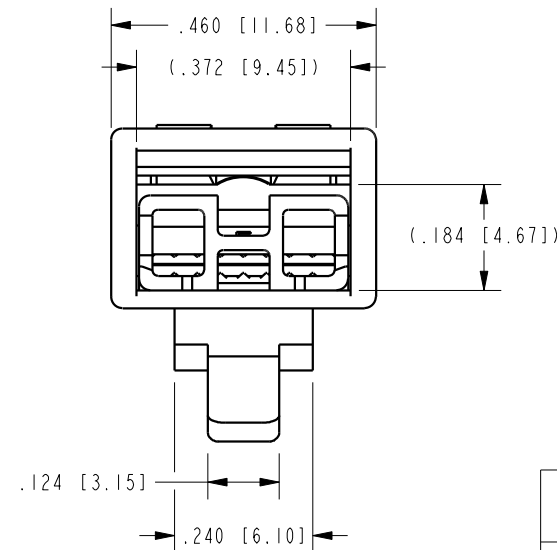
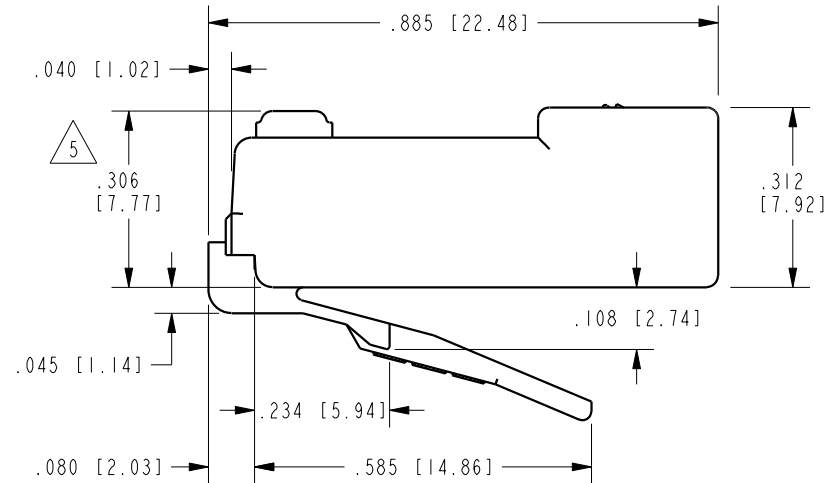
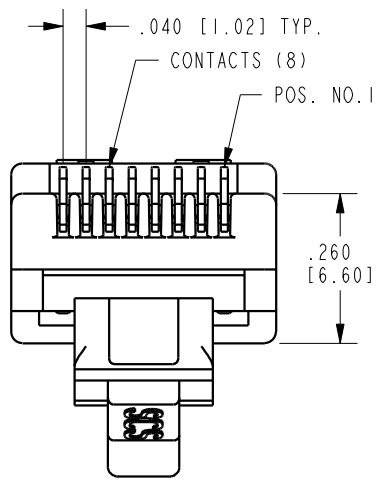
Address: A1208, Overseas Decoration Building, #122 Zhenhua RD., Futian, Shenzhen, China



DATE	REV.	ECN	APP'D BY
5-30-12	A2	9480	SMN
7-19-12	A3	9544	TRM
7-25-12	A4	9547	TRM
2-17-15	A5	10259	ADB



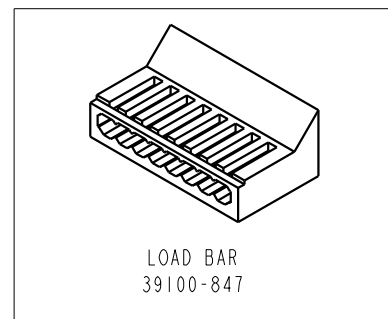
PLUG BODY



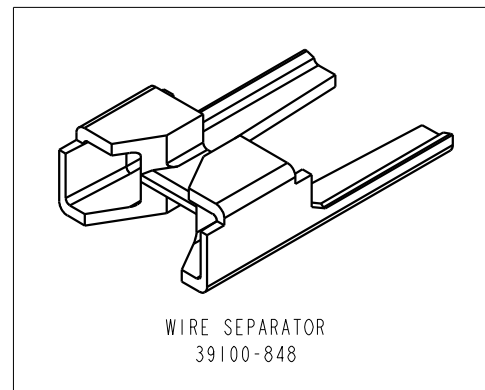
NOTES:

- COMPONENTS -
 PRE-INSERTED PLUG BODY - 39100-308
 PLUG BODY: CLEAR POLYCARBONATE, UL 94-V0
 CONTACTS: COPPER ALLOY, SELECTIVE GOLD PLATING OR EQUIVALENT
 LOAD BAR: POLYCARBONATE, UL 94-V0. COLOR: CLEAR
 WIRE SEPARATOR: CLEAR POLYCARBONATE, UL 94-V0
- CONTACTS TERMINATE SOLID OR STRANDED CONDUCTORS BETWEEN .033 [0.84] TO .039 [0.97] OUTSIDE DIAMETER OF INSULATION.
- FOR PRODUCT SPECIFICATION SEE PRO26-01
- DIMENSIONS AND TOLERANCES COMPLY WITH TIA-1096 STANDARD.
- TERMINATED PLUG HEIGHT: .237 [6.02] ±.005 [0.13].
- PRODUCT DESIGNED FOR CATEGORY 6 APPLICATIONS.

BAG OF 25	50 MICRO-INCHES [1.27um]	SS-39100-022
BULK	50 MICRO-INCHES [1.27um]	SS-39100-021
PACKAGE	CONTACT PLATING IN MATING AREA	PART NUMBER



LOAD BAR
39100-847

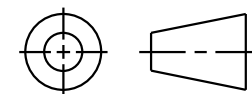


WIRE SEPARATOR
39100-848

RoHS



THIRD ANGLE PROJECTION



11118 Susquehanna Trail South
Glen Rock, PA 17327-9199
(717) 235-7512

<http://www.stewartconnector.com>

DO NOT SCALE DRAWING

DRAWING IS SUBJECT TO CHANGE WITHOUT NOTICE

DIMENSIONS: INCHES [METRIC]

UNLESS OTHERWISE SPECIFIED TOLERANCES ARE ±.005 [0.13] ANGLES ARE ±1°

SHEET NO. 1 OF 1

TITLE: 8 POSITION/8 CONDUCTOR CAT6 PLUG WIRE SEPARATOR & LOAD BAR, UNSHIELDED RCV

THIS DRAWING AND THE SUBJECT MATTER SHOWN THEREON ARE CONFIDENTIAL AND THE PROPRIETARY PROPERTY OF STEWART CONNECTOR AND SHALL NOT BE REPRODUCED, COPIED, OR USED IN ANY MANNER WITHOUT PRIOR WRITTEN CONSENT OF STEWART CONNECTOR. THIS PRODUCT MAY BE PROTECTED BY ONE OR MORE OF THE FOLLOWING US PATENTS:
5628647 6402559 6409535 6524128
7753717 8033863
OTHER PATENTS MAY BE PENDING.

DRN BY: TRM DATE 7-24-07

APPD BY: DHG DATE 7-24-07

DWG. NO. CT390051 REV. A5