



Chipsmall Limited consists of a professional team with an average of over 10 year of expertise in the distribution of electronic components. Based in Hongkong, we have already established firm and mutual-benefit business relationships with customers from,Europe,America and south Asia,supplying obsolete and hard-to-find components to meet their specific needs.

With the principle of “Quality Parts,Customers Priority,Honest Operation,and Considerate Service”,our business mainly focus on the distribution of electronic components. Line cards we deal with include Microchip,ALPS,ROHM,Xilinx,Pulse,ON,Everlight and Freescale. Main products comprise IC,Modules,Potentiometer,IC Socket,Relay,Connector.Our parts cover such applications as commercial,industrial, and automotives areas.

We are looking forward to setting up business relationship with you and hope to provide you with the best service and solution. Let us make a better world for our industry!



## Contact us

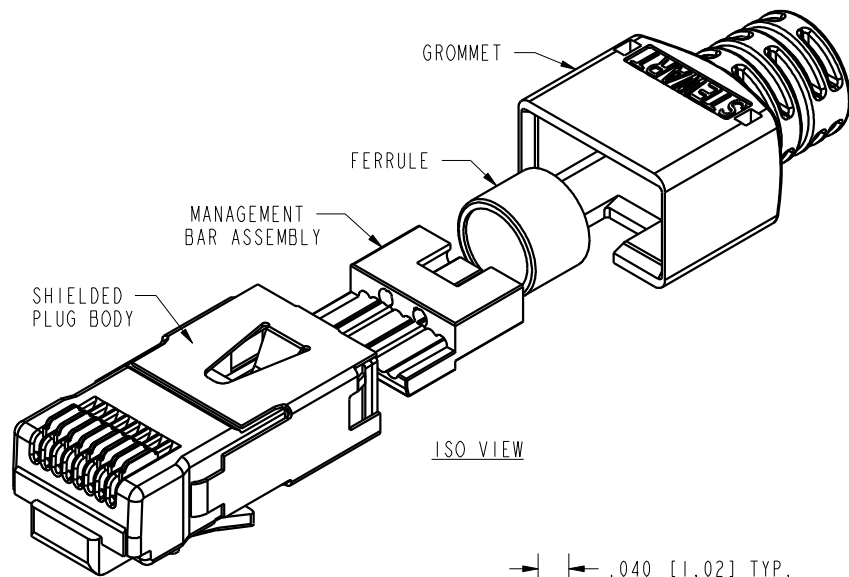
Tel: +86-755-8981 8866 Fax: +86-755-8427 6832

Email & Skype: info@chipsmall.com Web: www.chipsmall.com

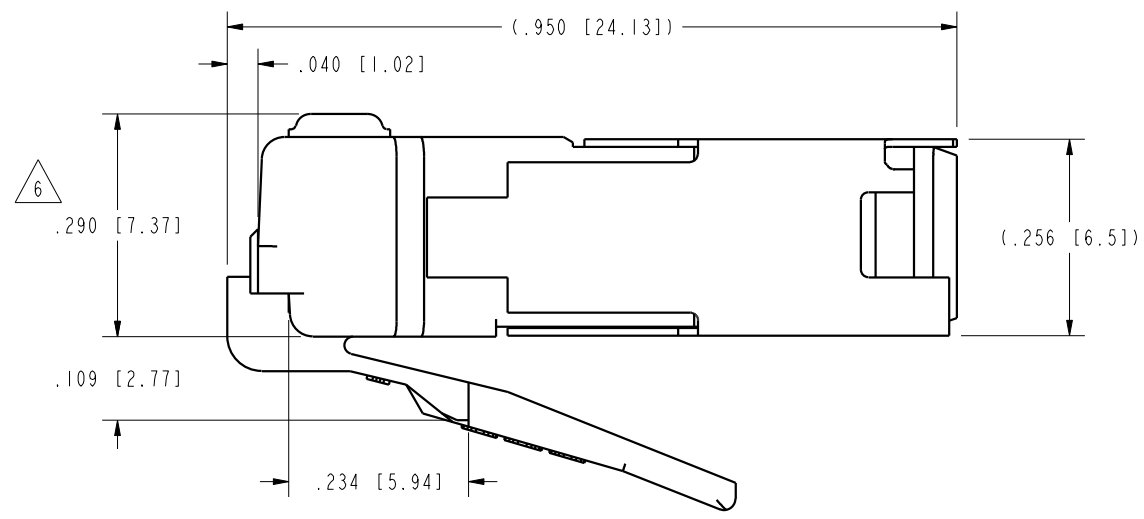
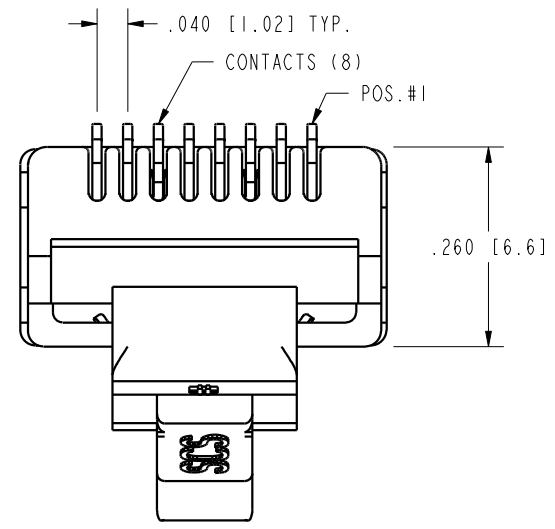
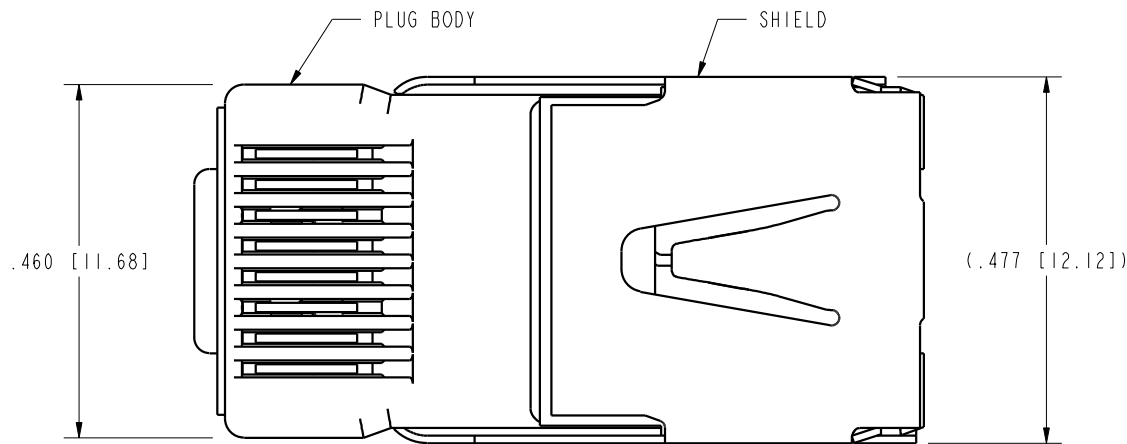
Address: A1208, Overseas Decoration Building, #122 Zhenhua RD., Futian, Shenzhen, China



| DATE     | REV. | ECN   | APP'D BY |
|----------|------|-------|----------|
| 1-23-06  | A1   | 7441  | JM       |
| 12-13-06 | A2   | 7870  | TRM      |
| 1-27-11  | A3   | 9130  | TRM      |
| 5-30-12  | A4   | 9480  | SMN      |
| 2-17-15  | A5   | 10258 | ADB      |

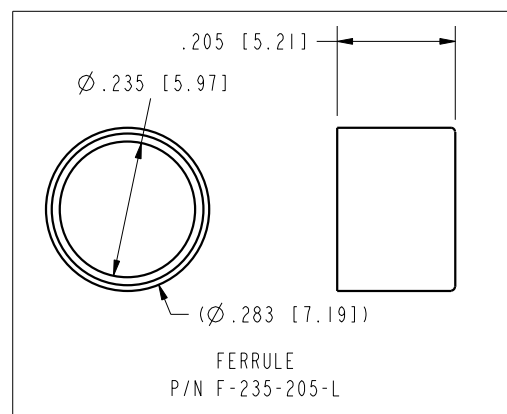
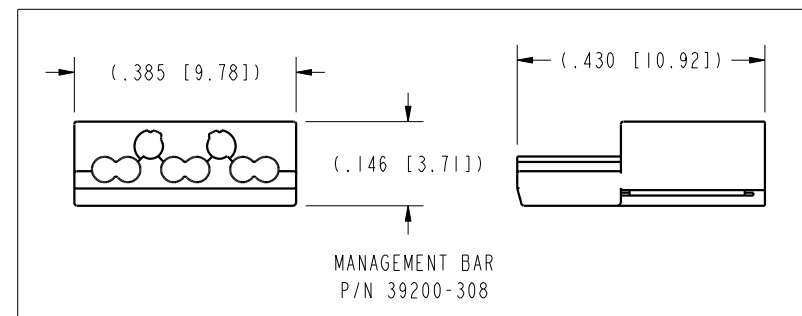
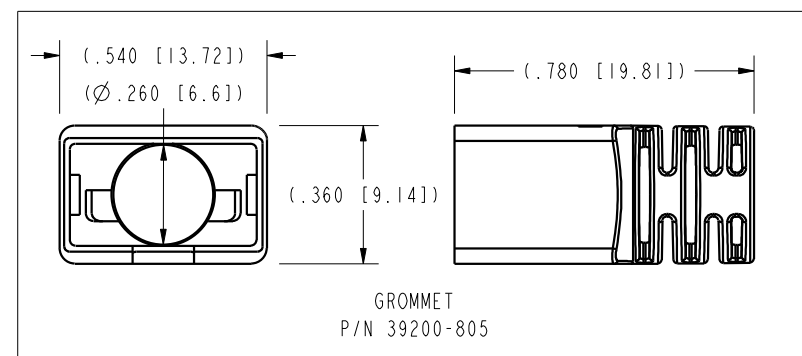


ISO VIEW



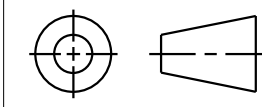
NOTES:

- PLUG KIT CONSISTS OF:  
PRE-INSERTED PLUG BODY & SHIELD  
MANAGEMENT BAR ASSEMBLY  
FERRULE  
GROMMET
- MATERIALS:  
PLUG BODY: CLEAR POLYCARBONATE, UL 94-V0  
MANAGEMENT BAR: CLEAR POLYCARBONATE, UL 94-V0  
CHANNEL COMPENSATOR: NICKEL PLATED BRASS  
SHIELD: TIN PLATED BRASS  
CONTACTS: COPPER ALLOY, SELECTIVE GOLD PLATING  
FERRULE: NICKEL OR TIN PLATED BRASS  
GROMMET: POLYCARBONATE, UL 94-V0, COLOR:BLACK
- CONTACTS TERMINATE SOLID OR STRANDED CONDUCTORS UP TO .037 [0.94] OUTSIDE DIAMETER OF INSULATION.
- FOR PRODUCT SPECIFICATION SEE PRO26-01.
- DIMENSIONS AND TOLERANCES COMPLY WITH TIA-1096 STANDARD.
- TERMINATED PLUG HEIGHT: .237 [6.02] ±.005 [0.13] ON CABLE.
- DESIGNED FOR CATEGORY 6 APPLICATIONS.



|         |                                |              |
|---------|--------------------------------|--------------|
| BULK    | 50 MICRO-INCHES [1.27um]       | SS-39200-006 |
| PACKAGE | CONTACT PLATING IN MATING AREA | PART NUMBER  |

THIRD ANGLE PROJECTION



11118 Susquehanna Trail South  
Glen Rock, PA 17327-9199  
(717) 235-7512  
<http://www.stewartconnector.com>

DO NOT SCALE DRAWING

DRAWING IS SUBJECT TO CHANGE WITHOUT NOTICE

DIMENSIONS: INCHES [METRIC]

UNLESS OTHERWISE SPECIFIED TOLERANCES ARE ±.005 [0.13] ANGLES ARE ±1°

SHEET NO. 1 OF 1

TITLE: 8 x 8 CATEGORY 6 SHIELDED PLUG ASSEMBLY WITH MANAGEMENT BAR, FERRULE & GROMMET

THIS DRAWING AND THE SUBJECT MATTER SHOWN THEREON ARE CONFIDENTIAL AND THE PROPRIETARY PROPERTY OF STEWART CONNECTOR AND SHALL NOT BE REPRODUCED, COPIED, OR USED IN ANY MANNER WITHOUT PRIOR WRITTEN CONSENT OF STEWART CONNECTOR. THIS PRODUCT MAY BE PROTECTED BY ONE OR MORE OF THE FOLLOWING US PATENTS:  
5628647 6402559 6409535 6524128  
7753717 8033863  
OTHER PATENTS MAY BE PENDING.

|          |          |      |         |
|----------|----------|------|---------|
| DRN BY:  | JAM      | DATE | 5-21-01 |
| APPD BY: | TRM      | DATE | 5-22-01 |
| DWG. NO. | CT390009 | REV. | A5      |

