



Chipsmall Limited consists of a professional team with an average of over 10 year of expertise in the distribution of electronic components. Based in Hongkong, we have already established firm and mutual-benefit business relationships with customers from,Europe,America and south Asia,supplying obsolete and hard-to-find components to meet their specific needs.

With the principle of “Quality Parts,Customers Priority,Honest Operation,and Considerate Service”,our business mainly focus on the distribution of electronic components. Line cards we deal with include Microchip,ALPS,ROHM,Xilinx,Pulse,ON,Everlight and Freescale. Main products comprise IC,Modules,Potentiometer,IC Socket,Relay,Connector.Our parts cover such applications as commercial,industrial, and automotives areas.

We are looking forward to setting up business relationship with you and hope to provide you with the best service and solution. Let us make a better world for our industry!



Contact us

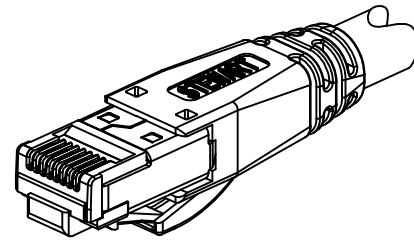
Tel: +86-755-8981 8866 Fax: +86-755-8427 6832

Email & Skype: info@chipsmall.com Web: www.chipsmall.com

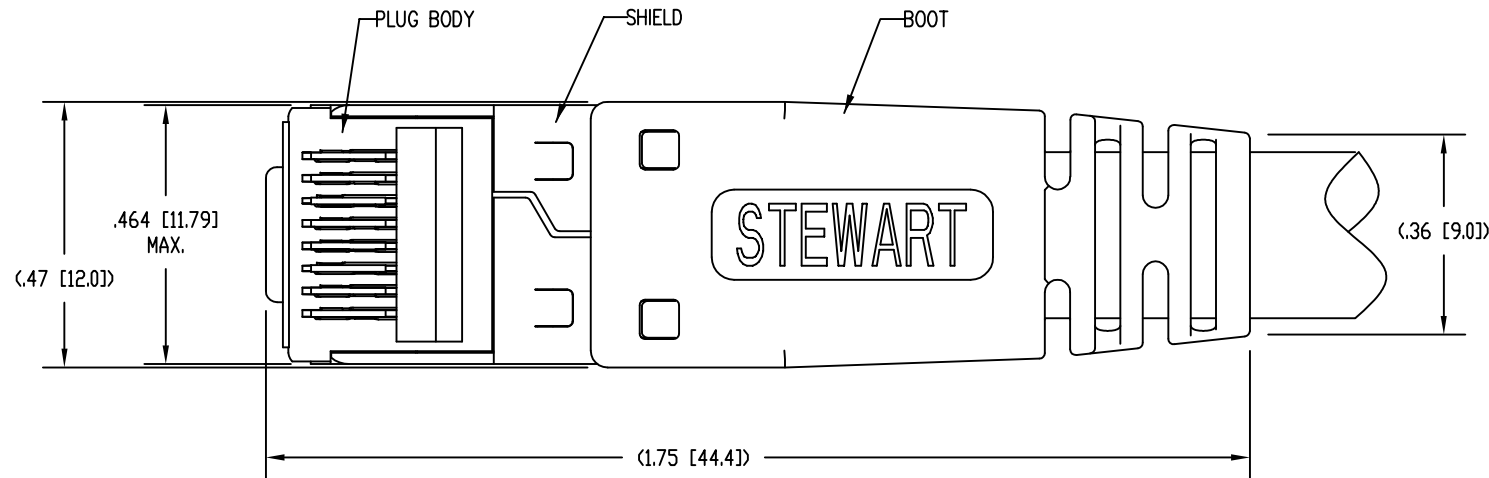
Address: A1208, Overseas Decoration Building, #122 Zhenhua RD., Futian, Shenzhen, China



DATE	REV	ECN	APP'D. BY
-	X0	-	-
2-26-13	A0	9700	DHG
6-10-13	B0	9781	DHG
1-12-15	B1	10179	TRM

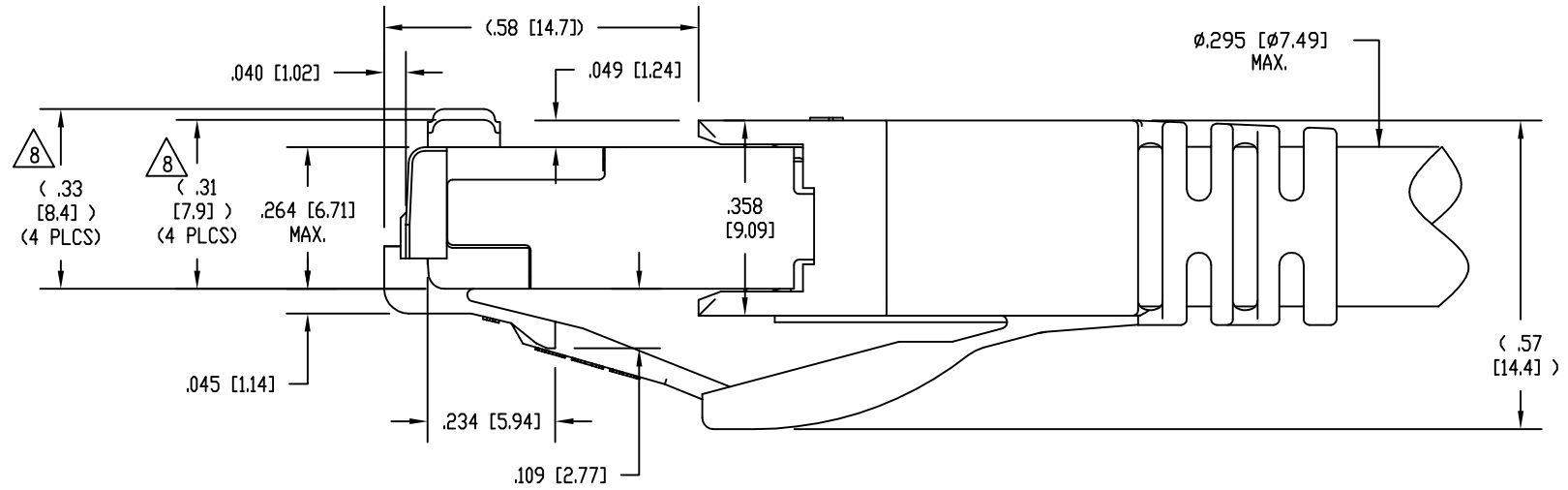
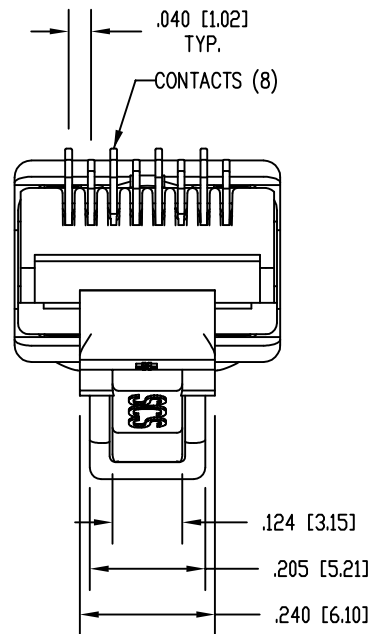


ISOMETRIC VIEW OF TERMINATED PLUG

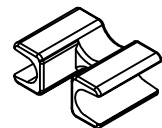


NOTES:

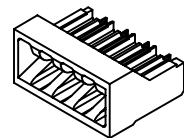
- PLUG KIT CONSISTS OF:
PRE-INSERTED PLUG BODY WITH SHIELD - 39200-321
LOAD BAR - 39200-899
BOOT - 39200-883
WIRE ALIGNER - 39100-864
- MATERIALS:
PLUG BODY: CLEAR POLYCARBONATE, UL 94-V0
BOOT : BLACK POLYCARBONATE, UL 94-V0
WIRE ALIGNER AND LOAD BAR: CLEAR POLYCARBONATE, UL 94-V0
CONTACTS: COPPER ALLOY, SELECTIVE GOLD PLATING
SHIELD: COPPER ALLOY, NICKEL PLATE
- FOR PRODUCT SPECIFICATION SEE PR026-01.
- CONTACTS TERMINATE SOLID OR STRANDED CONDUCTORS BETWEEN .042 [1.07] TO .048 [1.22] OUTSIDE DIAMETER OF INSULATION.
- CRIMP IS FOR CABLES WITH OUTSIDE NOMINAL DIAMETERS OF .270 [6.86] TO .295 [7.49].
- INDIVIDUALLY BAGGED PLUG KITS (1 EACH PLUG BODY, LOAD BAR, WIRE ALIGNER, AND BOOT) PACKAGED 25 PER BOX.
- DIMENSIONS AND TOLERANCES COMPLY WITH TIA-1096 STANDARD FORMERLY FCC/CFR 47, PART 68.
- CONTACT HEIGHT BEFORE TERMINATION.
AFTER TERMINATION, THE CONTACT HEIGHT IS .237 [6.02] ±.005 [0.13].
- PRODUCT DESIGNED FOR CATEGORY 6 AND 6A APPLICATIONS.



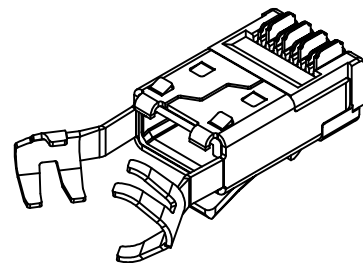
BULK	50 MICRO-INCHES [0.76um]	SS-39200-030
BAGGED $\triangle 6$	50 MICRO-INCHES [0.76um]	SS-39200-027
PACKAGING	CONTACT PLATING IN MATING AREA	PART NUMBER



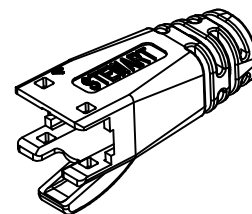
WIRE ALIGNER
39100-864



LOAD BAR
39200-899



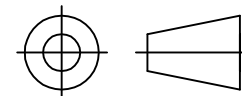
PRE-INSERTED PLUG
BODY WITH SHIELD
39200-321



BOOT
39200-883



THIRD ANGLE PROJECTION



1118 Susquehanna Trail South
Glen Rock, PA 17327-9199
(717) 235-7512

<http://www.stewartconnector.com>

DO NOT SCALE DRAWING
DRAWING IS SUBJECT TO
CHANGE WITHOUT NOTICE

TITLE: 8 CONDUCTOR, 8 POSITION SHIELDED PLUG, WITH BOOT,
LOAD BAR, AND WIRE ALIGNER, .048 MAX DIA WIRE

DIMENSIONS: INCHES [METRIC]
UNLESS OTHERWISE SPECIFIED
TOLERANCES ARE ±.005 [0.13]
ANGLES ARE ± 1°

THIS DRAWING AND THE SUBJECT MATTER SHOWN THEREON ARE
CONFIDENTIAL AND THE PROPRIETARY PROPERTY OF STEWART CONNECTOR
AND SHALL NOT BE REPRODUCED, COPIED, OR USED IN ANY MANNER WITHOUT
PRIOR WRITTEN CONSENT OF STEWART CONNECTOR. THIS PRODUCT
MAY BE PROTECTED BY ONE OR MORE OF THE FOLLOWING US PATENTS:
5628647 6402559 6409535 6524128
7753717 8033863
OTHER PATENTS MAY BE PENDING.

DRN BY:	DHG	DATE	8-22-12
APPD BY:	SAW	DATE	2-13-13
DWG NO.	CT390094	REV.	B1

SHEET NO.
1 OF 1