



Chipsmall Limited consists of a professional team with an average of over 10 year of expertise in the distribution of electronic components. Based in Hongkong, we have already established firm and mutual-benefit business relationships with customers from,Europe,America and south Asia,supplying obsolete and hard-to-find components to meet their specific needs.

With the principle of “Quality Parts,Customers Priority,Honest Operation,and Considerate Service”,our business mainly focus on the distribution of electronic components. Line cards we deal with include Microchip,ALPS,ROHM,Xilinx,Pulse,ON,Everlight and Freescale. Main products comprise IC,Modules,Potentiometer,IC Socket,Relay,Connector.Our parts cover such applications as commercial,industrial, and automotives areas.

We are looking forward to setting up business relationship with you and hope to provide you with the best service and solution. Let us make a better world for our industry!



Contact us

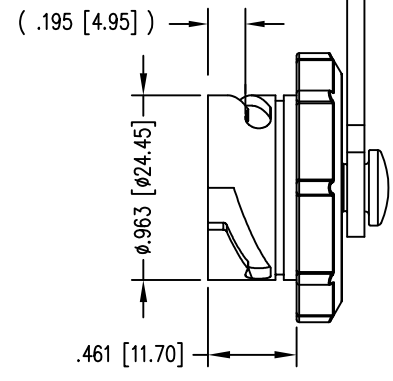
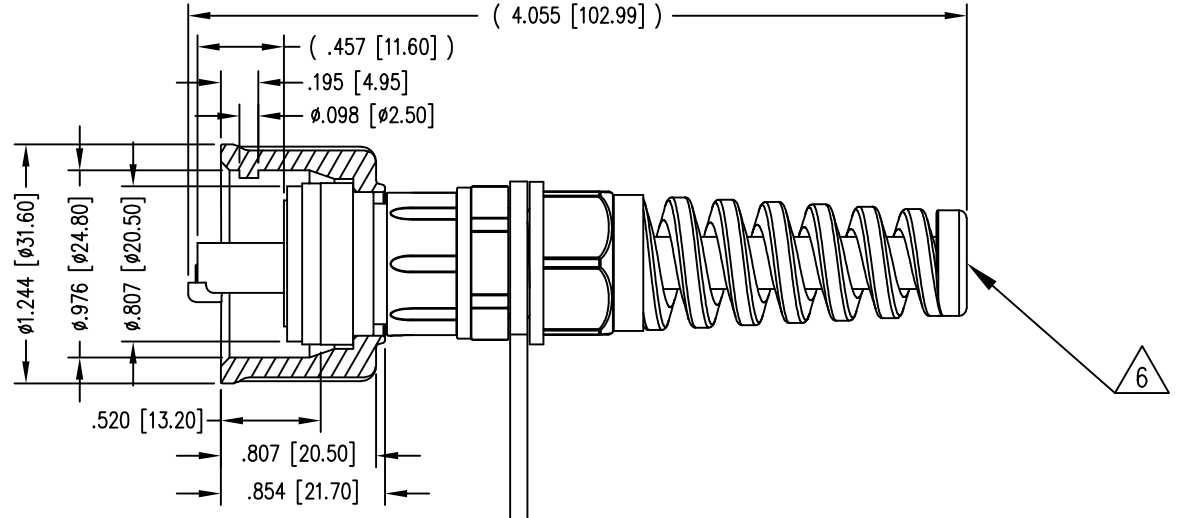
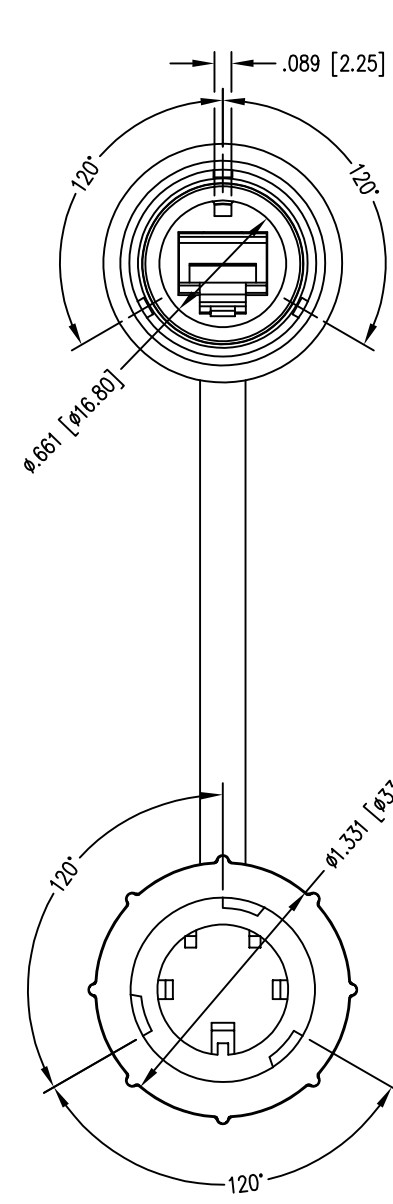
Tel: +86-755-8981 8866 Fax: +86-755-8427 6832

Email & Skype: info@chipsmall.com Web: www.chipsmall.com

Address: A1208, Overseas Decoration Building, #122 Zhenhua RD., Futian, Shenzhen, China



DATE	REV	ECN	APP'D. BY
5-9-17	A1	10999	TRM
5-12-17	A2	11003	TRM



- NOTES:
- MATERIALS:
 PLUG BODY: POLYCARBONATE UL94 V-0, COLOR: CLEAR
 PLUG HOUSING: HIGH IMPACT PLASTIC UL94 V-0, COLOR: BLACK
 LOAD BAR: POLYCARBONATE UL94 V-0, COLOR: BLACK
 CONTACTS: COPPER ALLOY
 CONTACT PLATING: SELECTIVE GOLD OR EQUIVALENT IN THE CONTACT AREA
 SEE CHART FOR PART NUMBER
 SHIELD: COPPER ALLOY, NICKEL PLATE
 - CONTACTS TERMINATE SOLID OR STRANDED CONDUCTORS BETWEEN .037 [0.94] TO .042 [1.07] OUTSIDE DIAMETER OF INSULATION.
 - PLUG DIMENSIONS AND TOLERANCES COMPLY WITH TIA-1096 STANDARD.
 - DESIGNED FOR CATEGORY 5/5e APPLICATIONS.
 - INTERNATIONAL PROTECTION CODE MEETS IP67.
 - FOR 0.177 [4.5] MIN. - 0.307 [7.8] MAX. CABLE

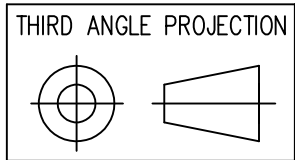
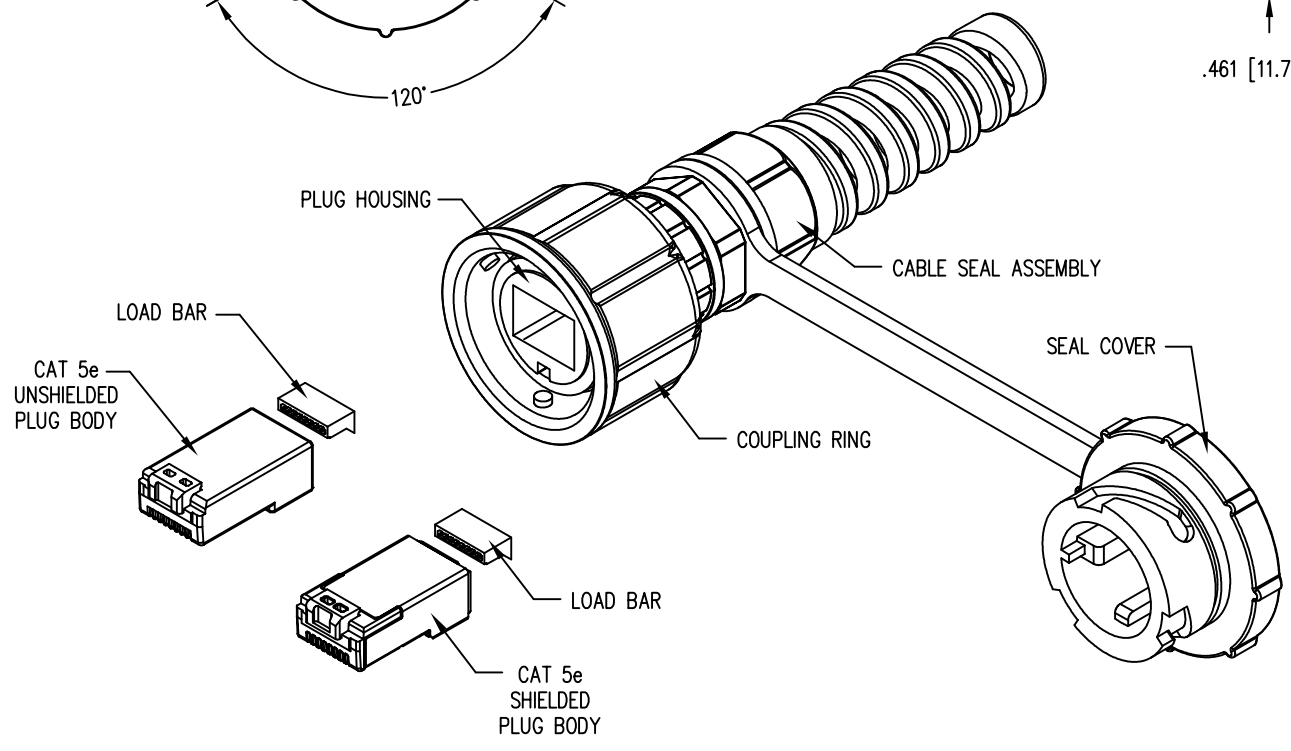
SHIELDED	50 MICRO-INCHES [1.27um]	SS-39400-003
UNSHIELDED	50 MICRO-INCHES [1.27um]	SS-39400-002
PLUG TYPE	CONTACT PLATING IN MATING AREA	PART NUMBER

B

B

A

A



stewart
CONNECTOR
a bel group

1118 Susquehanna Trail South
Glen Rock, PA 17327-9199
(717) 235-7512
<http://www.stewartconnector.com>

DO NOT SCALE DRAWING DRAWING IS SUBJECT TO CHANGE WITHOUT NOTICE	TITLE: INDUSTRIAL PLUG IP67 (UTP/FTP) CAT 5e WITH PLASTIC HOUSING AND SHIELDED PLASTIC HOUSING	
DIMENSIONS: INCHES [METRIC]	DRN BY: TRM	DATE: 10-17-16
UNLESS OTHERWISE SPECIFIED TOLERANCES ARE ±.005 [0.13] ANGLES ARE ± 1°	APPD BY: DHG	DATE: 10-27-16
SHEET NO. 1 OF 1	DWG NO. CT390167	REV. A2