



Chipsmall Limited consists of a professional team with an average of over 10 year of expertise in the distribution of electronic components. Based in Hongkong, we have already established firm and mutual-benefit business relationships with customers from,Europe,America and south Asia,supplying obsolete and hard-to-find components to meet their specific needs.

With the principle of “Quality Parts,Customers Priority,Honest Operation,and Considerate Service”,our business mainly focus on the distribution of electronic components. Line cards we deal with include Microchip,ALPS,ROHM,Xilinx,Pulse,ON,Everlight and Freescale. Main products comprise IC,Modules,Potentiometer,IC Socket,Relay,Connector.Our parts cover such applications as commercial,industrial, and automotives areas.

We are looking forward to setting up business relationship with you and hope to provide you with the best service and solution. Let us make a better world for our industry!



Contact us

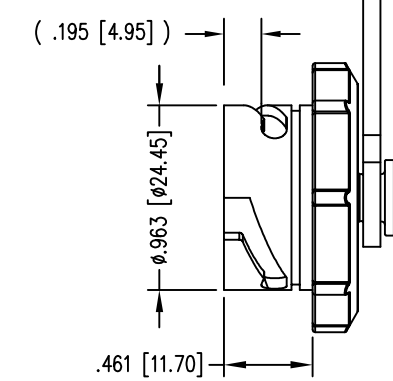
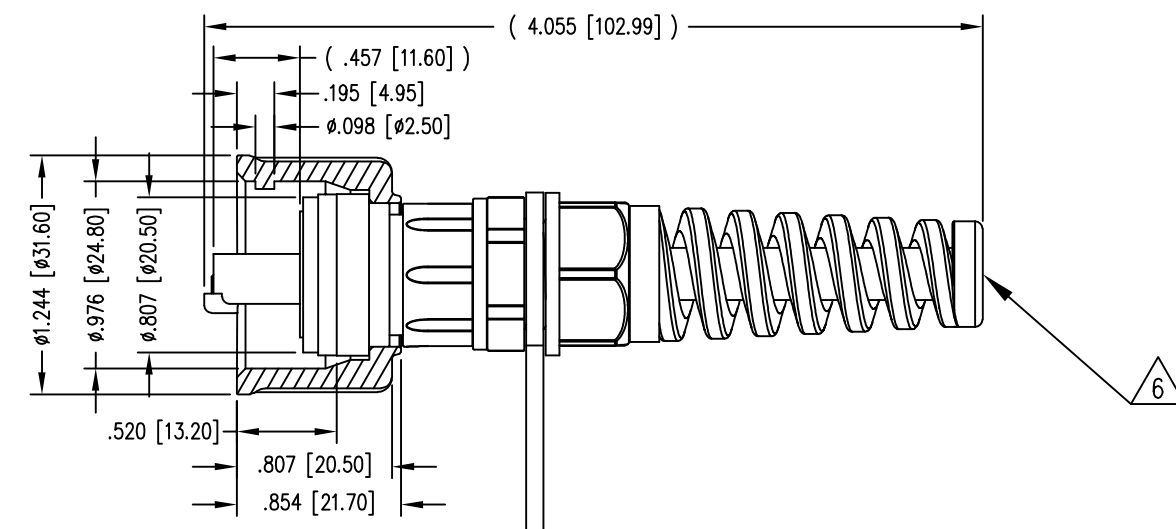
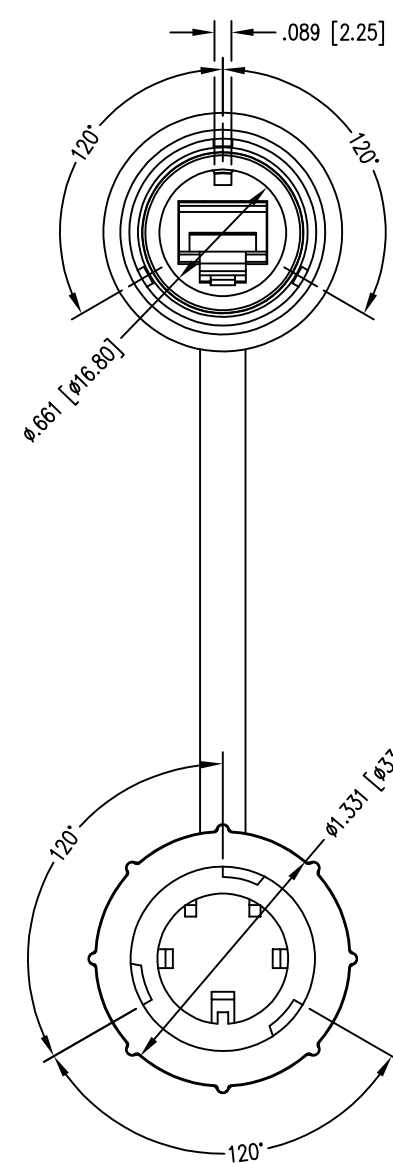
Tel: +86-755-8981 8866 Fax: +86-755-8427 6832

Email & Skype: info@chipsmall.com Web: www.chipsmall.com

Address: A1208, Overseas Decoration Building, #122 Zhenhua RD., Futian, Shenzhen, China

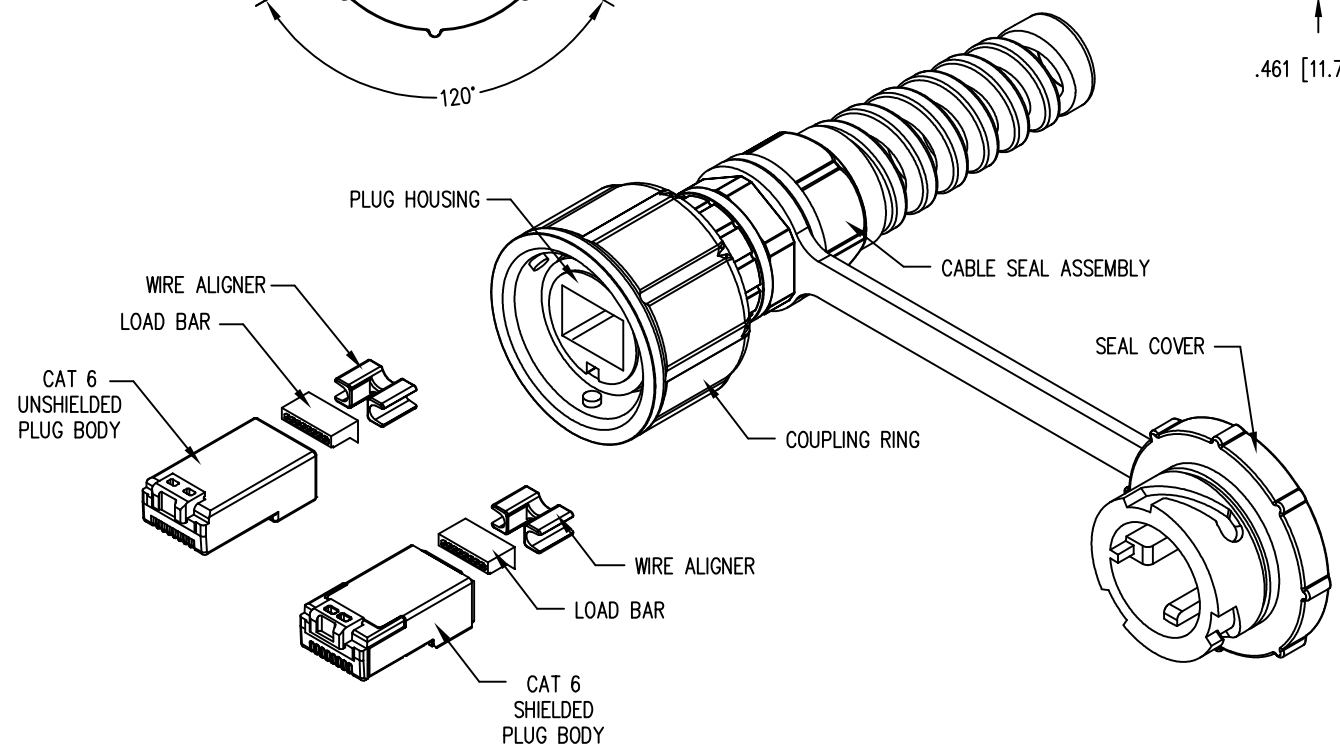


DATE	REV	ECN	APP'D. BY
5-9-17	A1	10999	TRM
5-12-17	A2	11003	TRM



- NOTES:
- MATERIALS:
 PLUG BODY: POLYCARBONATE UL94 V-0, COLOR: CLEAR
 PLUG HOUSING: HIGH IMPACT PLASTIC UL94 V-0, COLOR: BLACK
 WIRE ALIGNER: POLYCARBONATE UL94 V-0, COLOR: CLEAR
 LOAD BAR: POLYCARBONATE UL94 V-0, COLOR: BLACK
 CONTACTS: COPPER ALLOY
 CONTACT PLATING: SELECTIVE GOLD OR EQUIVALENT IN THE CONTACT AREA
 SEE CHART FOR PART NUMBER
 SHIELD: COPPER ALLOY, NICKEL PLATE
 - CONTACTS TERMINATE SOLID OR STRANDED CONDUCTORS BETWEEN .037 [0.94] TO .042 [1.07] OUTSIDE DIAMETER OF INSULATION.
 - PLUG DIMENSIONS AND TOLERANCES COMPLY WITH TIA-1096 STANDARD.
 - DESIGNED FOR CATEGORY 6 APPLICATIONS.
 - INTERNATIONAL PROTECTION CODE MEETS IP67.
 - FOR $\varnothing 0.177 [4.5]$ MIN. - $\varnothing 0.307 [7.8]$ MAX. CABLE

SHIELDED	50 MICRO-INCHES [1.27um]	SS-39400-005
UNSHIELDED	50 MICRO-INCHES [1.27um]	SS-39400-004
PLUG TYPE	CONTACT PLATING IN MATING AREA	PART NUMBER



THIRD ANGLE PROJECTION	 1118 Susquehanna Trail South Glen Rock, PA 17327-9199 (717) 235-7512 http://www.stewartconnector.com
DO NOT SCALE DRAWING DRAWING IS SUBJECT TO CHANGE WITHOUT NOTICE	
DIMENSIONS: INCHES [METRIC]	TITLE: INDUSTRIAL PLUG IP67 (UTP/FTP) CAT 6 WITH PLASTIC HOUSING AND SHIELDED PLASTIC HOUSING
UNLESS OTHERWISE SPECIFIED TOLERANCES ARE $\pm 0.005 [0.13]$ ANGLES ARE $\pm 1^\circ$	DRN BY: TRM DATE: 10-17-16
SHEET NO. 1 OF 1	APPD BY: DHG DATE: 10-27-16
	DWG NO. CT390168 REV. A2