



Chipsmall Limited consists of a professional team with an average of over 10 year of expertise in the distribution of electronic components. Based in Hongkong, we have already established firm and mutual-benefit business relationships with customers from,Europe,America and south Asia,supplying obsolete and hard-to-find components to meet their specific needs.

With the principle of “Quality Parts,Customers Priority,Honest Operation,and Considerate Service”,our business mainly focus on the distribution of electronic components. Line cards we deal with include Microchip,ALPS,ROHM,Xilinx,Pulse,ON,Everlight and Freescale. Main products comprise IC,Modules,Potentiometer,IC Socket,Relay,Connector.Our parts cover such applications as commercial,industrial, and automotives areas.

We are looking forward to setting up business relationship with you and hope to provide you with the best service and solution. Let us make a better world for our industry!



## Contact us

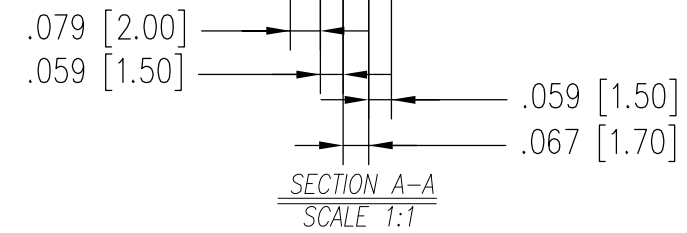
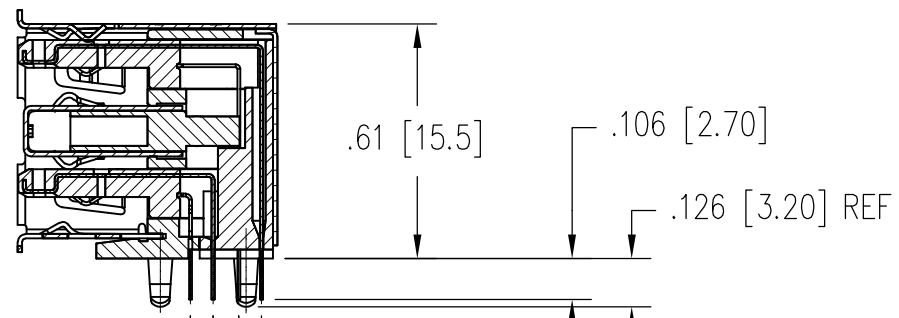
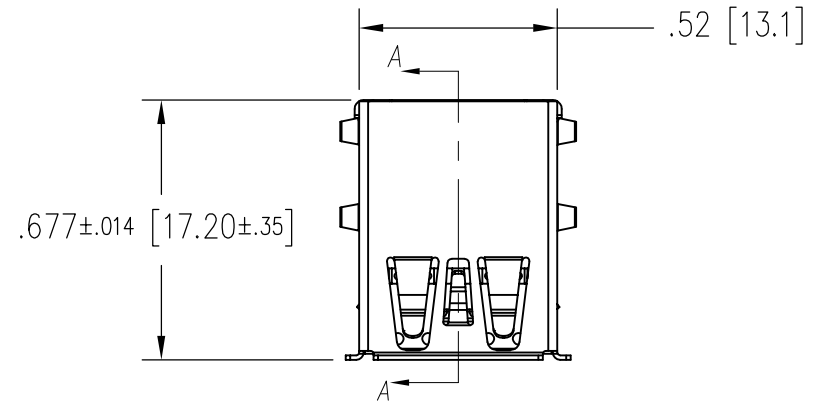
Tel: +86-755-8981 8866 Fax: +86-755-8427 6832

Email & Skype: info@chipsmall.com Web: www.chipsmall.com

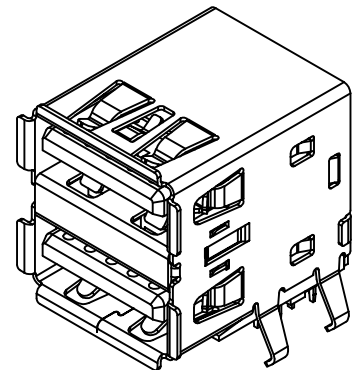
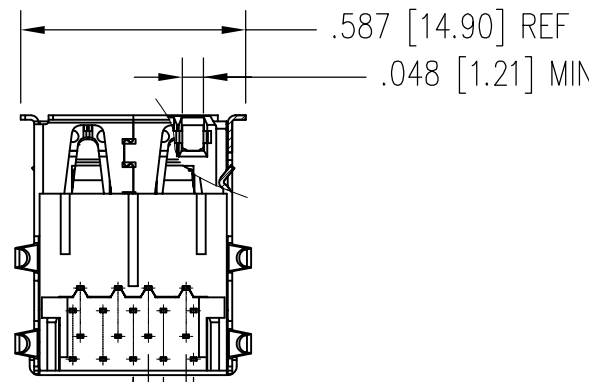
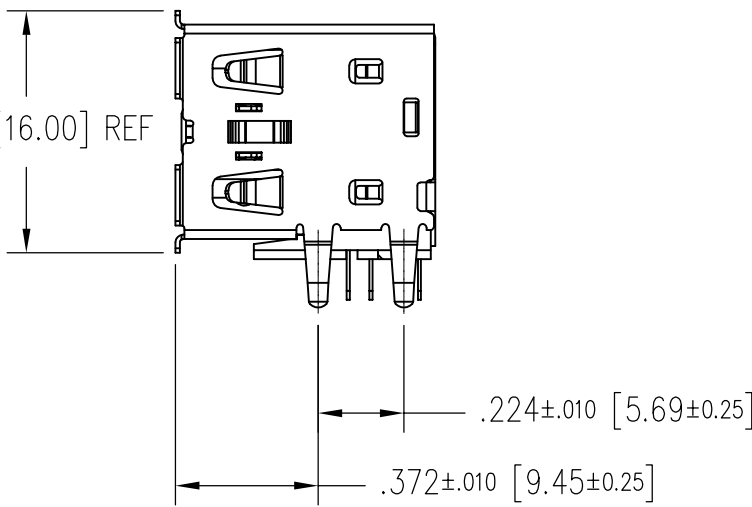
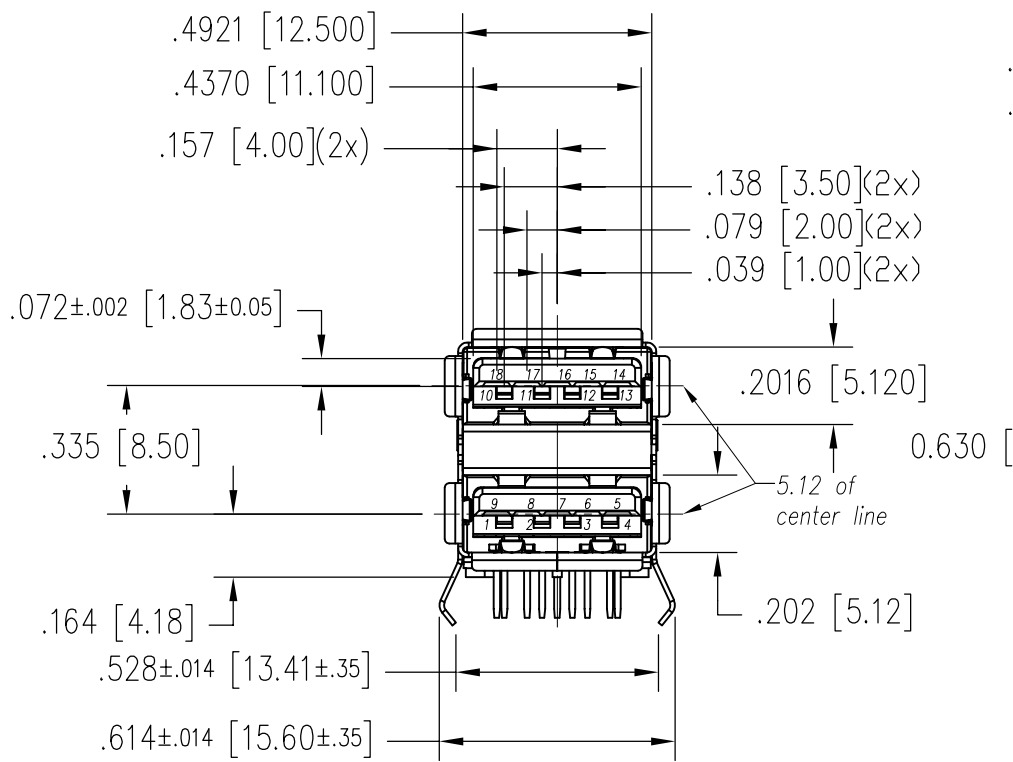
Address: A1208, Overseas Decoration Building, #122 Zhenhua RD., Futian, Shenzhen, China



| DATE      | REV | ECN | APP'D. BY |
|-----------|-----|-----|-----------|
| 8/29/2017 | A0  | -   | DHG       |
|           |     |     |           |
|           |     |     |           |



- NOTE:
- Material
    - 1.1. Hsg: High Temperature Plastic; UL94V-0; Color: Blue.
    - 1.2. Contact:
      - 5 pin contact: Copper Alloy,
      - 4 pin contact: Copper Alloy,
    - 1.3. Shell: Copper Alloy
  - Finish:
    - 2.1: Contct: Nickel Plated; Au Plating On Contact Area  
See Chart for Part Number;  
TIN On Solder Tail.
    - 2.2: Shell: Nickel Plating.
  - For Product specifications See PR44-01



3D VIEW  
SCALE 2:1



|                                   |              |
|-----------------------------------|--------------|
| 30 MICRO-INCHES [0.76um]          | SS-52000-003 |
| CONTACT PLATING<br>IN MATING AREA | PART NUMBER  |

THIRD ANGLE PROJECTION

DRAWING IS SUBJECT TO CHANGE WITHOUT NOTICE

UNLESS OTHERWISE SPECIFIED DIMENSIONS INCHES [METRIC] TOLERANCES ARE:

ANGLES ± 1°

.XX [.X] ±.010" [±0.25]

.XXX [.XX] ±.008" [±0.20]

.XXXX [.XXX] ±.004" [±0.10]

DO NOT SCALE DRAWING

SHEET NO. 1 OF 2

11118 Susquehanna Trail South  
Glen Rock, PA 17327-9199  
(717) 235-7512  
<http://www.stewartconnector.com>

TITLE: USB 3.0 Stacked Right Angle Receptacle Type A

THIS DRAWING AND THE SUBJECT MATTER SHOWN THEREON ARE CONFIDENTIAL AND THE PROPRIETARY PROPERTY OF STEWART CONNECTOR AND SHALL NOT BE REPRODUCED, COPIED, OR USED IN ANY MANNER WITHOUT WRITTEN CONSENT OF STEWART CONNECTOR. ONE OR MORE U.S. PATENTS MAY APPLY TO THIS PRODUCT. FOR DETAILS, PLEASE VISIT: [HTTP://BELFUSE.COM/STEWART/STEWART\\_PATENTS/](http://BELFUSE.COM/STEWART/STEWART_PATENTS/)

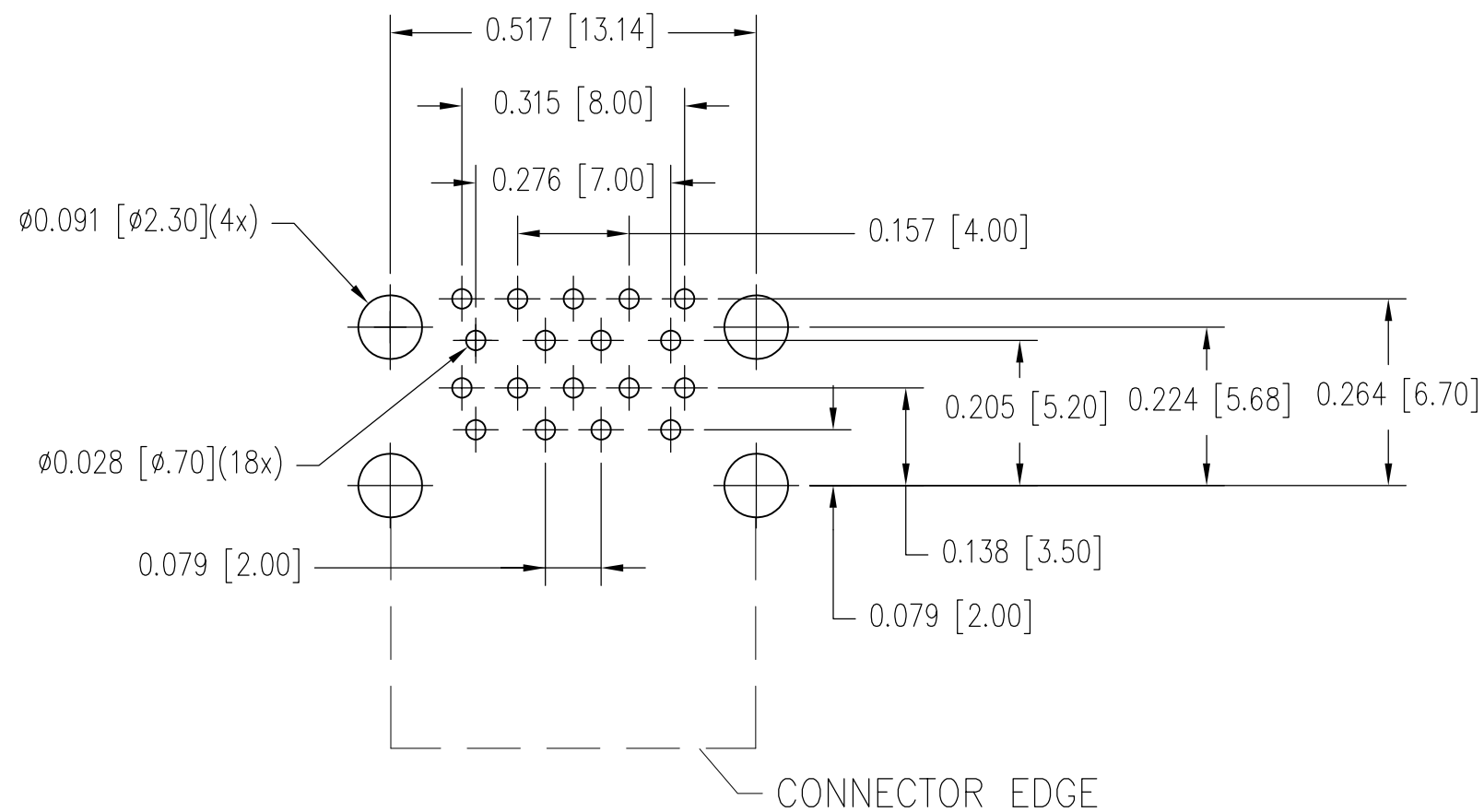
|                  |                |
|------------------|----------------|
| DRN BY: GWL      | DATE 8/28/2017 |
| APPD BY: DHG     | DATE 8/29/2017 |
| DWG NO. CT520003 | REV. A0        |

B

B

A

A



P.C.B LAYOUT (COMPONENT SIDE)  
 DEFAULT TOLERANCE: ±0.002 [±0.05]



|   |                |
|---|----------------|
| THIRD ANGLE PROJECTION                                |                |
|   |                |
| DRAWING IS SUBJECT TO CHANGE WITHOUT NOTICE           |                |
| UNLESS OTHERWISE SPECIFIED DIMENSIONS INCHES [METRIC] |                |
| TOLERANCES ARE:                                       |                |
| ANGLES  | ± 1°           |
| .XX [.X]  | ±.010" [±0.25] |
| .XXX [.XX]  | ±.008" [±0.20] |
| .XXXX [.XXX]  | ±.004" [±0.10] |
| DO NOT SCALE DRAWING                                  |                |
| SHEET NO.   | 2 OF 2         |



1118 Susquehanna Trail South  
 Glen Rock, PA 17327-9199  
 (717) 235-7512  
<http://www.stewartconnector.com>

|  |  |                  |                |
|--|--|------------------|----------------|
| TITLE: USB 3.0 Stacked Right Angle Receptacle Type A   |  |                  |                |
| THIS DRAWING AND THE SUBJECT MATTER SHOWN THEREON ARE CONFIDENTIAL AND THE PROPRIETARY PROPERTY OF STEWART CONNECTOR AND SHALL NOT BE REPRODUCED, COPIED, OR USED IN ANY MANNER WITHOUT PRIOR WRITTEN CONSENT OF STEWART CONNECTOR. ONE OR MORE U.S. PATENTS MAY APPLY TO THIS PRODUCT. FOR DETAILS, PLEASE VISIT: <a href="http://BELFUSE.COM/STEWART/STEWART_PATENTS/">HTTP://BELFUSE.COM/STEWART/STEWART_PATENTS/</a> |  | DRN BY: GWL      | DATE 8/28/2017 |
|  |  | APPD BY: DHG     | DATE 8/29/2017 |
|  |  | DWG NO. CT520003 | REV. A0        |