



Chipsmall Limited consists of a professional team with an average of over 10 year of expertise in the distribution of electronic components. Based in Hongkong, we have already established firm and mutual-benefit business relationships with customers from,Europe,America and south Asia,supplying obsolete and hard-to-find components to meet their specific needs.

With the principle of "Quality Parts,Customers Priority,Honest Operation,and Considerate Service",our business mainly focus on the distribution of electronic components. Line cards we deal with include Microchip,ALPS,ROHM,Xilinx,Pulse,ON,Everlight and Freescale. Main products comprise IC,Modules,Potentiometer,IC Socket,Relay,Connector.Our parts cover such applications as commercial,industrial, and automotives areas.

We are looking forward to setting up business relationship with you and hope to provide you with the best service and solution. Let us make a better world for our industry!



Contact us

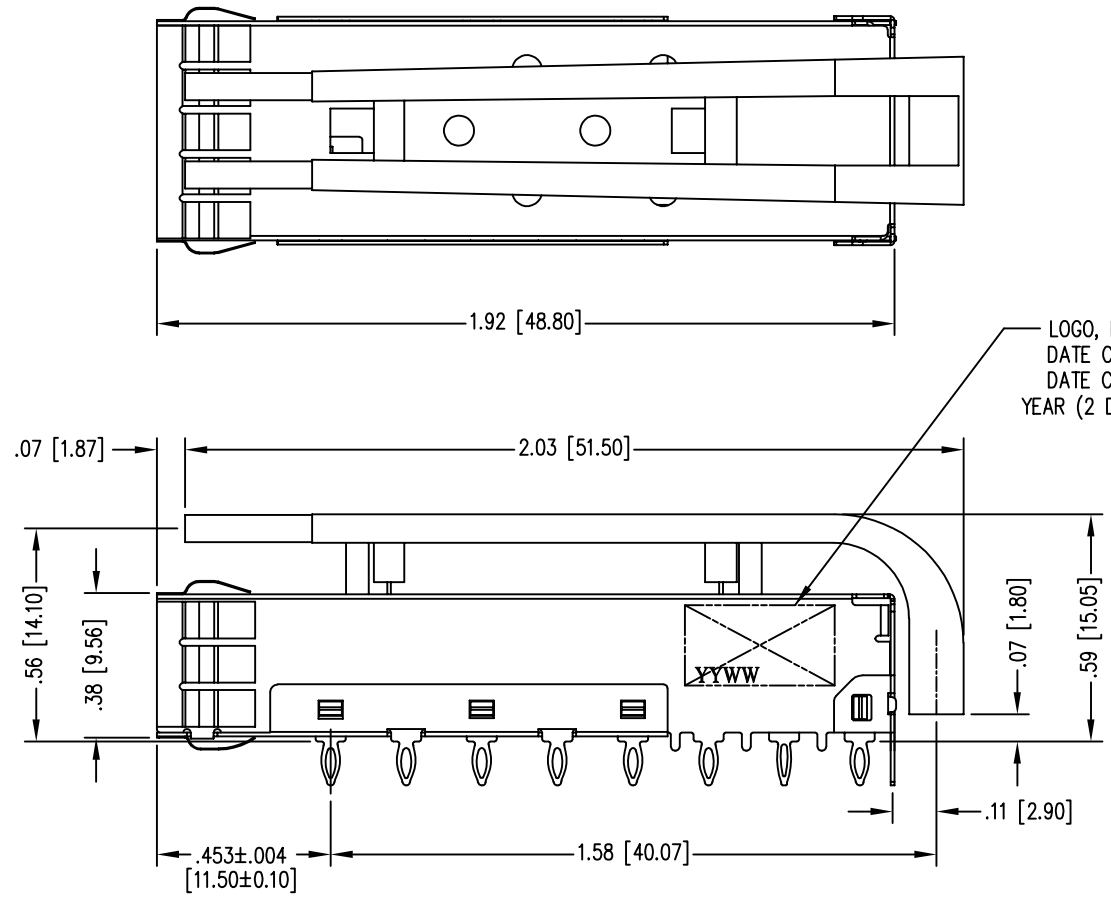
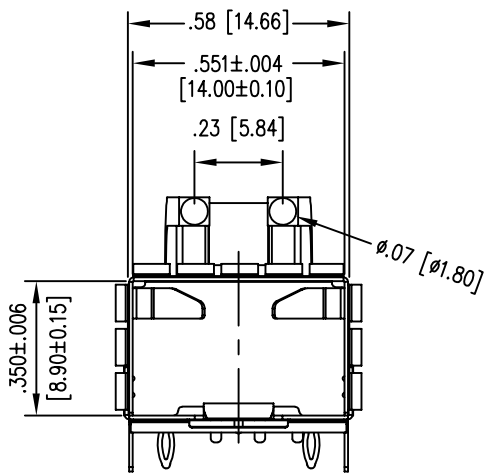
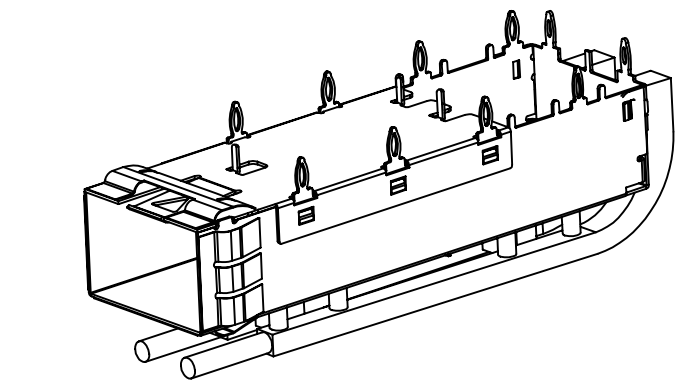
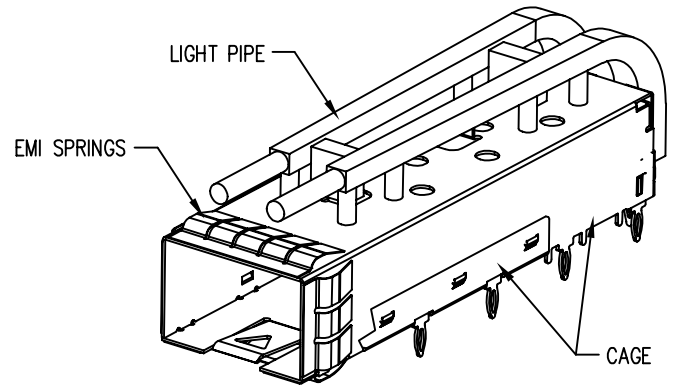
Tel: +86-755-8981 8866 Fax: +86-755-8427 6832

Email & Skype: info@chipsmall.com Web: www.chipsmall.com

Address: A1208, Overseas Decoration Building, #122 Zhenhua RD., Futian, Shenzhen, China



DATE	REV	ECN	APP'D. BY
8-11-17	A2	11061	TRM
8-16-17	A3	11066	TRM



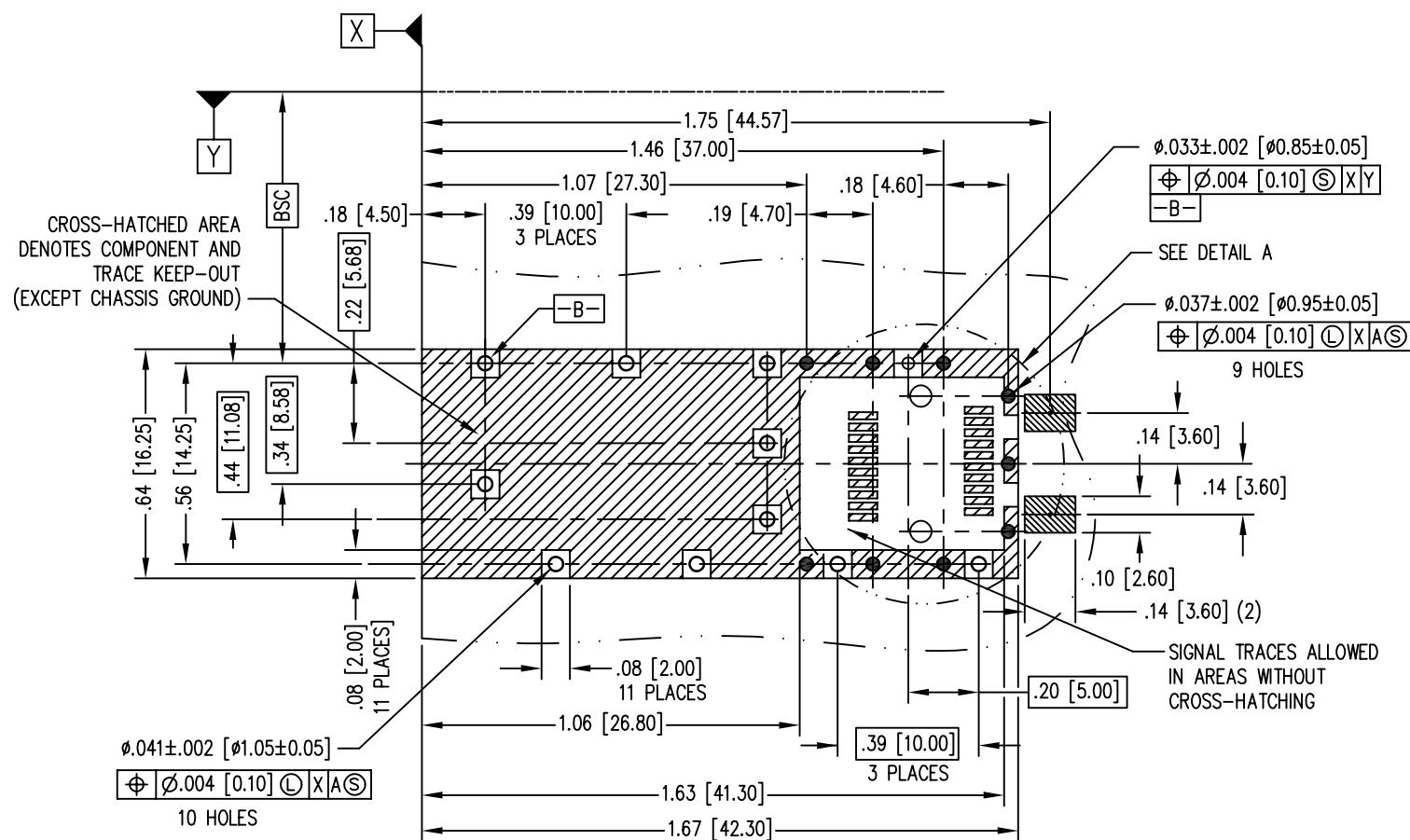
LOGO, PART NUMBER AND DATE CODE IN THIS LOCATION
 DATE CODE IS YEAR/WEEK
 YEAR (2 DIGITS) & WEEK (2 DIGITS)
 EX: 1730

- NOTES:
- MATERIALS:
 CAGE: COPPER ALLOY
 EMI SPRINGS: COPPER ALLOY
 LIGHT PIPE: PC UL 94V-0, COLOR: CLEAR
 - PLATING:
 CAGE: NICKEL
 EMI SPRINGS: NICKEL
 - TEMPERATURE:
 OPERATIONAL: -40°C~+85°C
 STORAGE: -55°C~+105°C
 - FOR PRODUCT SPECIFICATIONS SEE PR043-01.
 - MATES WITH SFP MSA COMPLIANT TRANSCEIVERS.

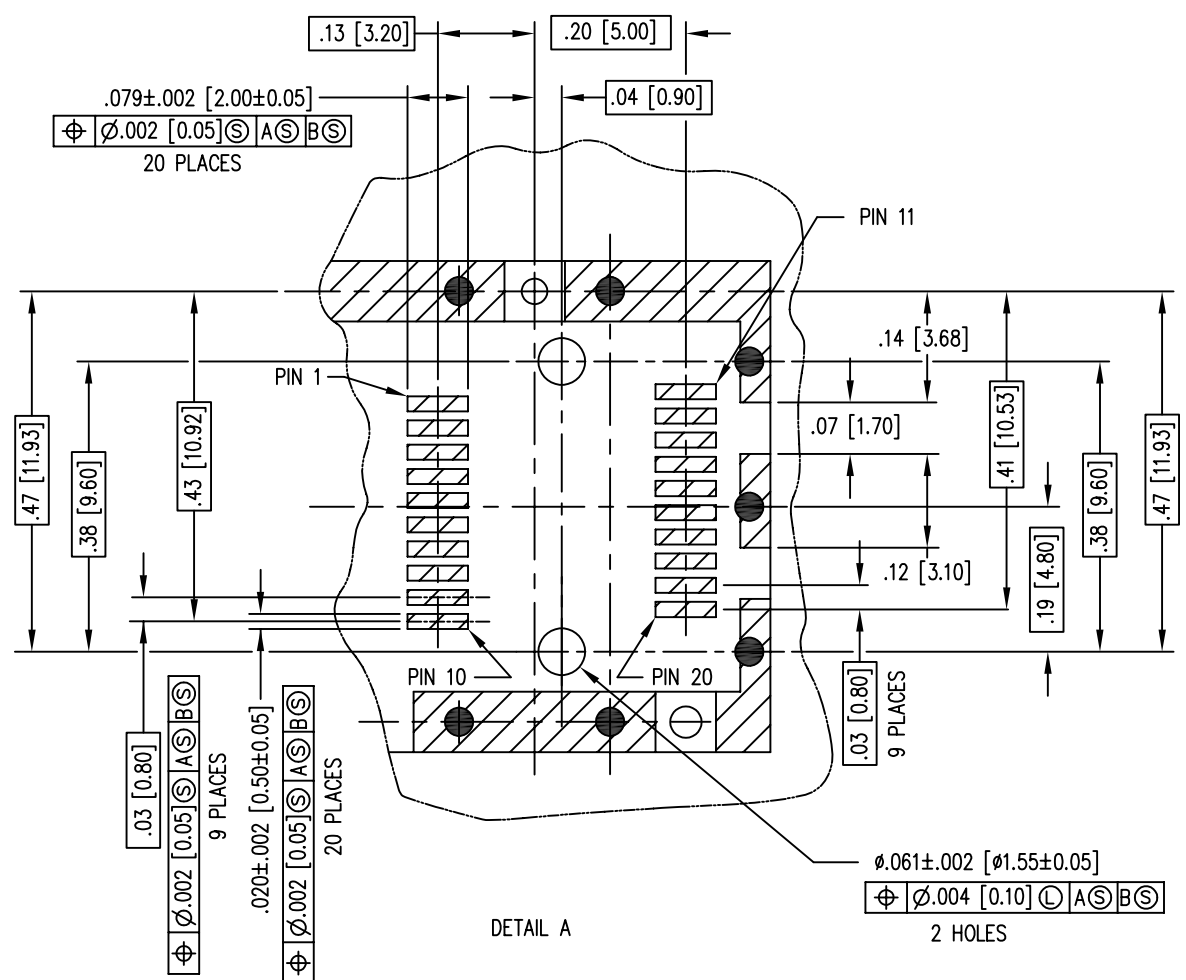
SS-79100-003
PART NUMBER



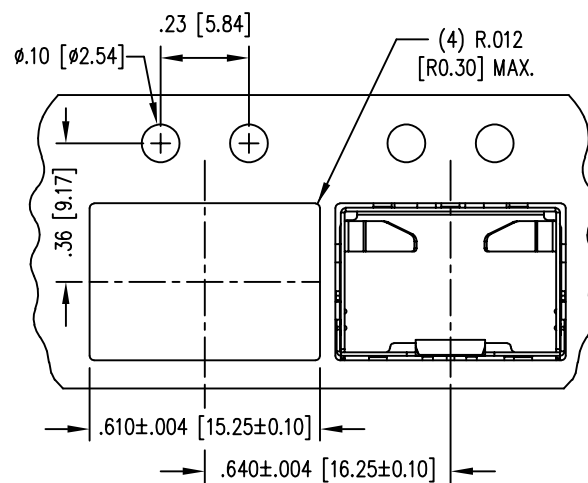
<p>THIRD ANGLE PROJECTION</p> <p>DRAWING IS SUBJECT TO CHANGE WITHOUT NOTICE</p> <p>UNLESS OTHERWISE SPECIFIED DIMENSIONS INCHES [METRIC] TOLERANCES ARE:</p> <p>ANGLES ± 2°</p> <p>1 PLC. DEC. ±.010" [±0.25]</p> <p>2 PLC. DEC. ±.008" [±0.20]</p> <p>3 PLC. DEC. ±.006" [±0.15]</p> <p>DO NOT SCALE DRAWING</p> <p>SHEET NO. 1 OF 2</p>	<p>1118 Susquehanna Trail South Glen Rock, PA 17327-9199 (717) 235-7512 http://www.stewartconnector.com</p>						
<p>TITLE: SFP+ 1X1 CAGE W/LIGHT PIPE, PRESS FIT</p> <p>THIS DRAWING AND THE SUBJECT MATTER SHOWN THEREON ARE CONFIDENTIAL AND THE PROPRIETARY PROPERTY OF STEWART CONNECTOR AND SHALL NOT BE REPRODUCED, COPIED, OR USED IN ANY MANNER WITHOUT PRIOR WRITTEN CONSENT OF STEWART CONNECTOR. ONE OR MORE U.S. PATENTS MAY APPLY TO THIS PRODUCT. FOR DETAILS, PLEASE VISIT: HTTP://BELFUSE.COM/STEWART/STEWART_PATENTS/</p>	<table border="1"> <tr> <td>DRN BY: TRM</td> <td>DATE: 6-5-17</td> </tr> <tr> <td>APPD BY: DHG</td> <td>DATE: 6-30-17</td> </tr> <tr> <td>DWG NO. CT790003</td> <td>REV. A3</td> </tr> </table>	DRN BY: TRM	DATE: 6-5-17	APPD BY: DHG	DATE: 6-30-17	DWG NO. CT790003	REV. A3
DRN BY: TRM	DATE: 6-5-17						
APPD BY: DHG	DATE: 6-30-17						
DWG NO. CT790003	REV. A3						



PCB LAYOUT (TOP VIEW)
PCB TOLERANCES: ± 0.002 [± 0.05]

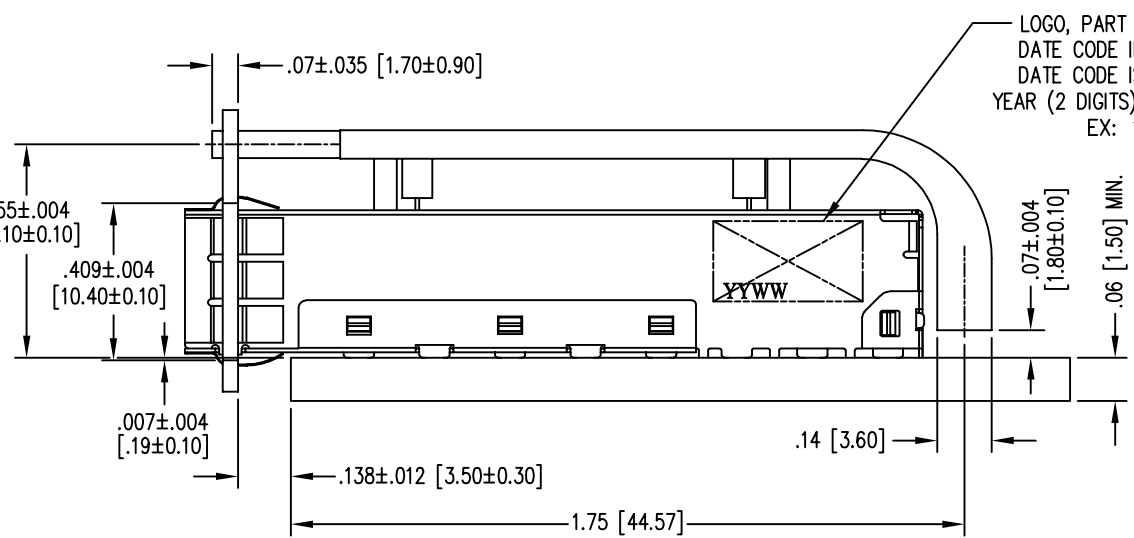


DETAIL A

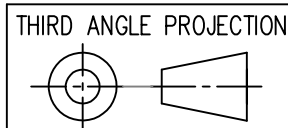


SUGGESTED PANEL OPENING

THE SUGGESTED PANEL OPENING IS INTENDED TO GIVE USERS THE ABILITY TO HAVE REASONABLE CAGE/PANEL CLEARANCES, YET MAINTAIN GROUNDING CAPABILITY. THESE VARIABLES CAN BE ADJUSTED IN EITHER DIRECTION BUT MAY CARRY SOME CONSEQUENCES IN THE FORM OF LOWER MATING FORCES OR TIGHTER ASSEMBLY TOLERANCES.



LOGO, PART NUMBER AND DATE CODE IN THIS LOCATION
DATE CODE IS YEAR/WEEK
YEAR (2 DIGITS) & WEEK (2 DIGITS)
EX: 1730



THIRD ANGLE PROJECTION

DRAWING IS SUBJECT TO CHANGE WITHOUT NOTICE
UNLESS OTHERWISE SPECIFIED DIMENSIONS INCHES [METRIC] TOLERANCES ARE:
ANGLES $\pm 2^\circ$
1 PLC. DEC. $\pm 0.10^\circ$ [± 0.25]
2 PLC. DEC. $\pm 0.08^\circ$ [± 0.20]
3 PLC. DEC. $\pm 0.06^\circ$ [± 0.15]
DO NOT SCALE DRAWING

SHEET NO. 2 OF 2



11118 Susquehanna Trail South
Glen Rock, PA 17327-9199
(717) 235-7512
<http://www.stewartconnector.com>

TITLE: SFP+ 1X1 CAGE W/LIGHT PIPE, PRESS FIT

THIS DRAWING AND THE SUBJECT MATTER SHOWN THEREON ARE CONFIDENTIAL AND THE PROPRIETARY PROPERTY OF STEWART CONNECTOR AND SHALL NOT BE REPRODUCED, COPIED, OR USED IN ANY MANNER WITHOUT PRIOR WRITTEN CONSENT OF STEWART CONNECTOR. ONE OR MORE U.S. PATENTS MAY APPLY TO THIS PRODUCT. FOR DETAILS, PLEASE VISIT: HTTP://BELFUSE.COM/STEWART/STEWART_PATENTS/		DRN BY: TRM	DATE: 6-4-17
		APPD BY: DHG	DATE: 6-30-17
		DWG NO. CT790003	REV. A3