



Chipsmall Limited consists of a professional team with an average of over 10 year of expertise in the distribution of electronic components. Based in Hongkong, we have already established firm and mutual-benefit business relationships with customers from,Europe,America and south Asia,supplying obsolete and hard-to-find components to meet their specific needs.

With the principle of “Quality Parts,Customers Priority,Honest Operation,and Considerate Service”,our business mainly focus on the distribution of electronic components. Line cards we deal with include Microchip,ALPS,ROHM,Xilinx,Pulse,ON,Everlight and Freescale. Main products comprise IC,Modules,Potentiometer,IC Socket,Relay,Connector.Our parts cover such applications as commercial,industrial, and automotives areas.

We are looking forward to setting up business relationship with you and hope to provide you with the best service and solution. Let us make a better world for our industry!



Contact us

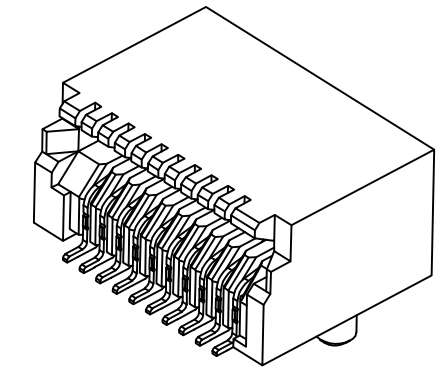
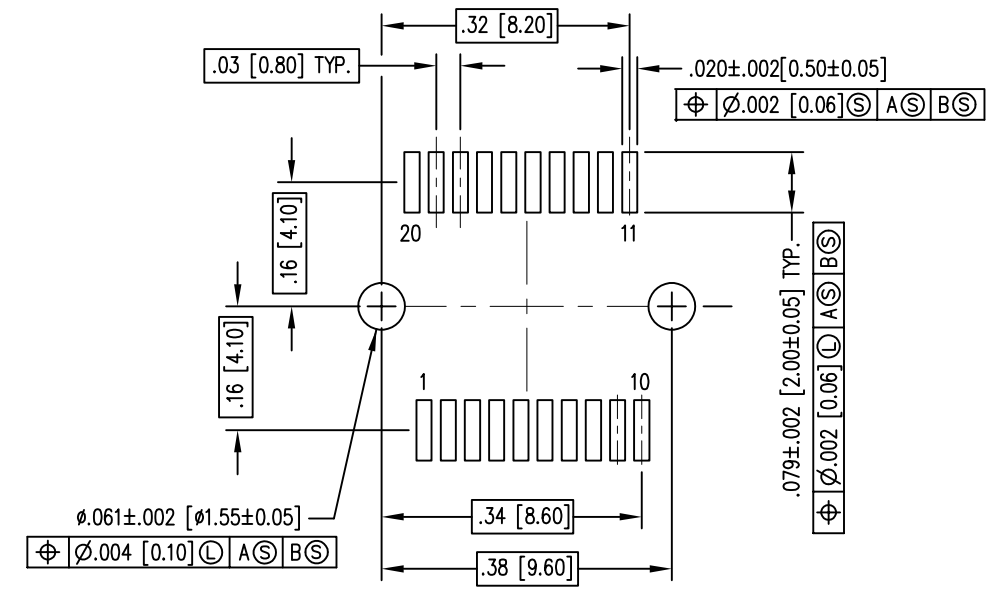
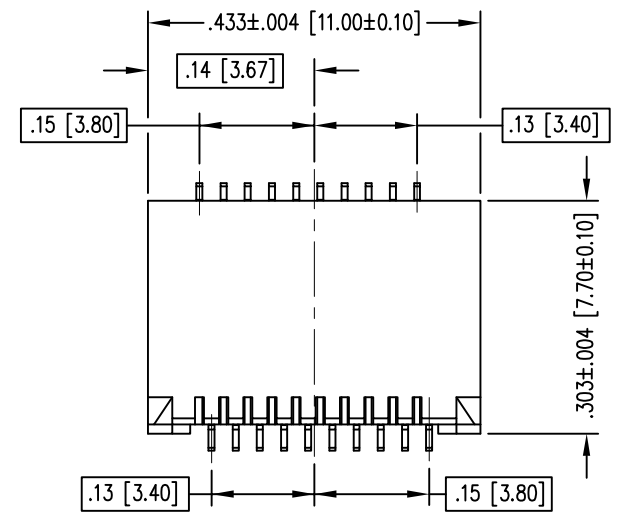
Tel: +86-755-8981 8866 Fax: +86-755-8427 6832

Email & Skype: info@chipsmall.com Web: www.chipsmall.com

Address: A1208, Overseas Decoration Building, #122 Zhenhua RD., Futian, Shenzhen, China



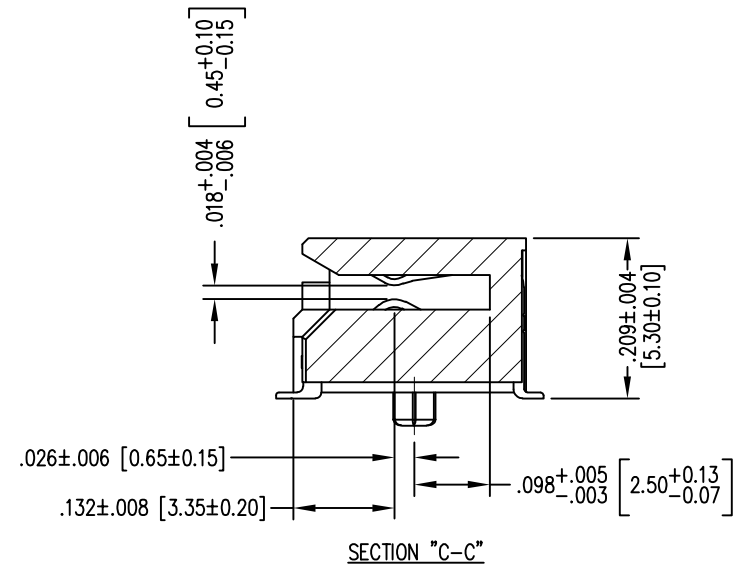
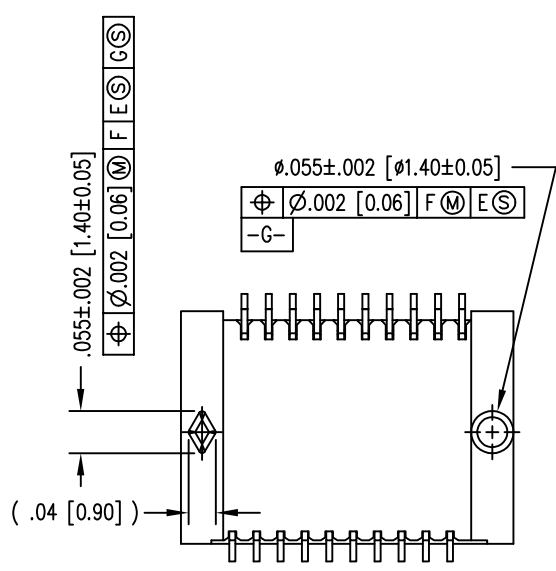
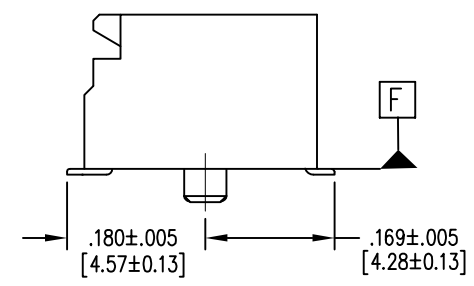
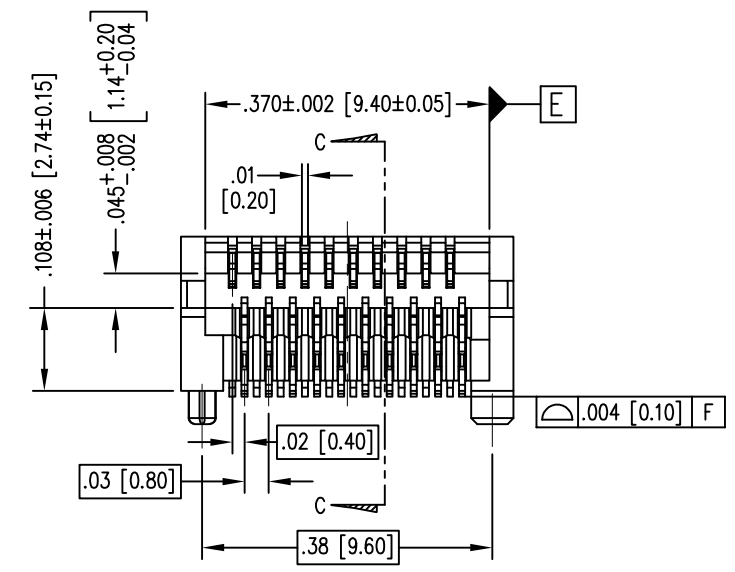
DATE	REV	ECN	APP'D. BY
7-24-17	A1	11049	TRM



PCB LAYOUT

NOTES:

- MATERIALS:
TERMINAL: COPPER ALLOY
HOUSING: LCP UL 94 V-0. COLOR: BLACK
- PLATING:
MATTE TIN PLATING ON SMT.
GOLD PLATING IN CONTACT AREA - SEE CHART
- ENVIRONMENTAL:
OPERATIONAL: -40°C~+85°C
STORAGE: -55°C~+105°C
RATED AT MAX. 260°C FOR MAX. 10 SECS.
- FOR PRODUCT SPECIFICATIONS SEE PR043-01.



15 MICRO-INCHES [0.38um]	SS-79100-013
30 MICRO-INCHES [0.76um]	SS-79100-004
CONTACT PLATING IN MATING AREA	PART NUMBER

THIRD ANGLE PROJECTION

DRAWING IS SUBJECT TO CHANGE WITHOUT NOTICE

UNLESS OTHERWISE SPECIFIED DIMENSIONS INCHES [METRIC] TOLERANCES ARE:

ANGLES ± 2°

1 PLC. DEC. ±.008" [±0.20]

2 PLC. DEC. ±.004" [±0.10]

3 PLC. DEC. ±.002" [±0.05]

DO NOT SCALE DRAWING

SHEET NO. 1 OF 2



1118 Susquehanna Trail South
Glen Rock, PA 17327-9199
(717) 235-7512
<http://www.stewartconnector.com>

TITLE: SFP+ CONNECTOR ASSEMBLY, 20 POSITION, SURFACE MOUNT

THIS DRAWING AND THE SUBJECT MATTER SHOWN THEREON ARE CONFIDENTIAL AND THE PROPRIETARY PROPERTY OF STEWART CONNECTOR AND SHALL NOT BE REPRODUCED, COPIED, OR USED IN ANY MANNER WITHOUT PRIOR WRITTEN CONSENT OF STEWART CONNECTOR. ONE OR MORE U.S. PATENTS MAY APPLY TO THIS PRODUCT. FOR DETAILS, PLEASE VISIT: [HTTP://BELFUSE.COM/STEWART/STEWART_PATENTS/](http://BELFUSE.COM/STEWART/STEWART_PATENTS/)

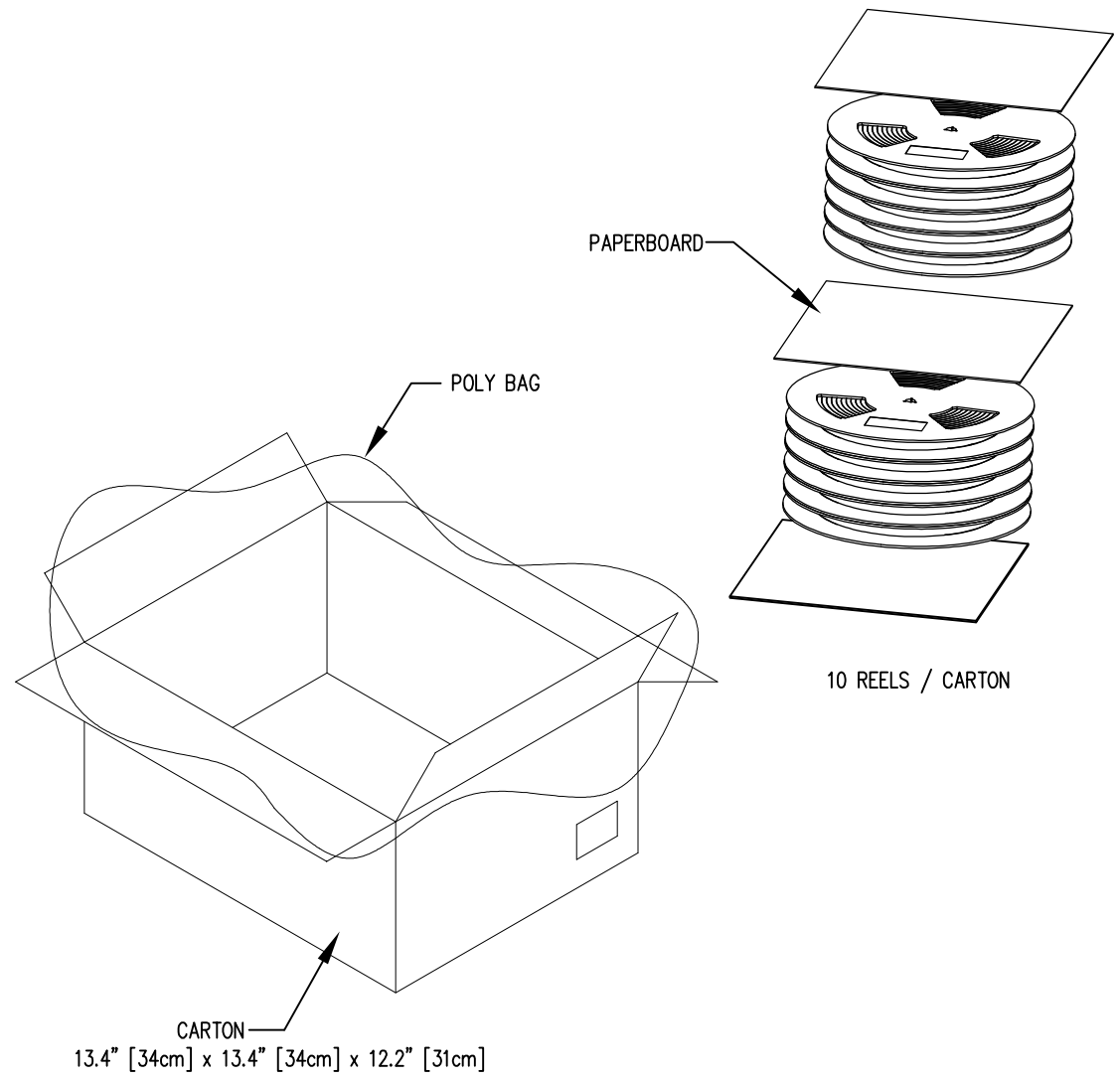
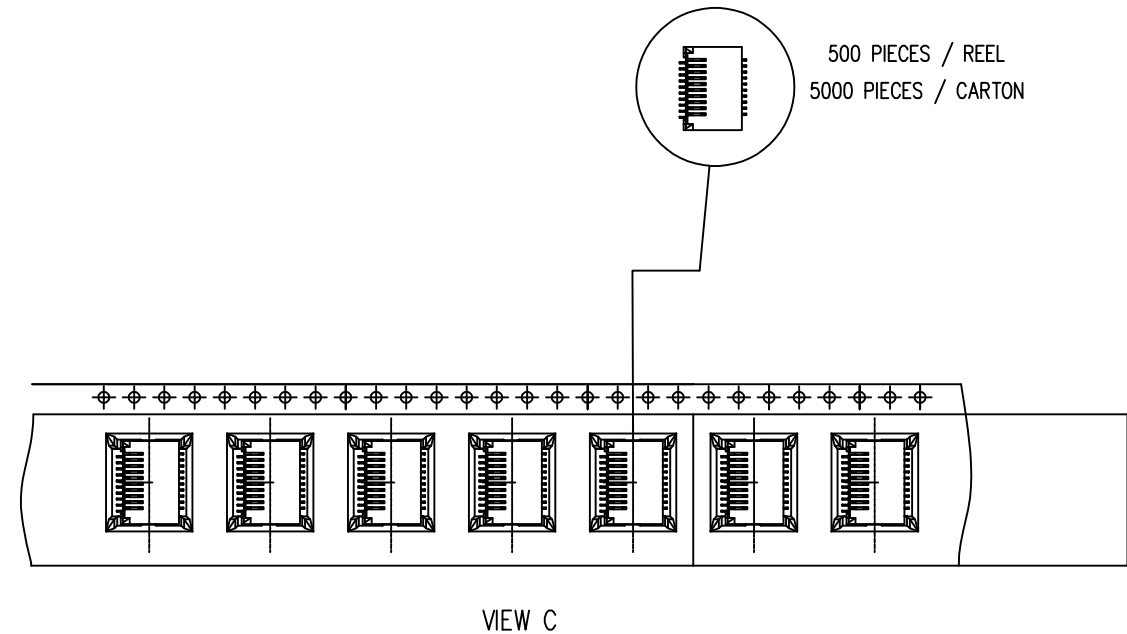
DRN BY: TRM	DATE: 6-6-17
APPD BY: DHG	DATE: 6-30-17
DWG NO. CT790004	REV. A1

2

1

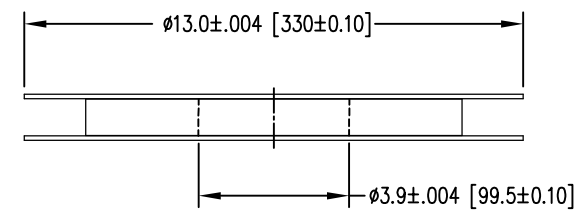
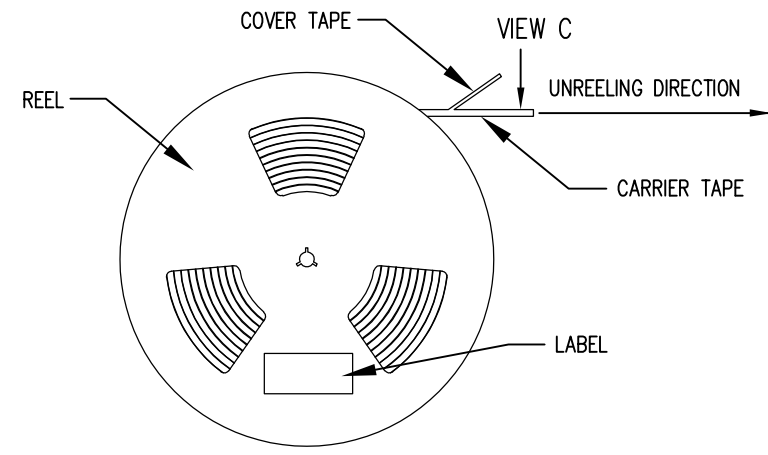
B

B



A

A



THIRD ANGLE PROJECTION	
DRAWING IS SUBJECT TO CHANGE WITHOUT NOTICE	
UNLESS OTHERWISE SPECIFIED DIMENSIONS INCHES [METRIC]	
TOLERANCES ARE:	
ANGLES ± 2°	
1 PLC. DEC. ±.008" [±0.20]	
2 PLC. DEC. ±.004" [±0.10]	
3 PLC. DEC. ±.002" [±0.05]	
DO NOT SCALE DRAWING	
SHEET NO.	2 OF 2

	1118 Susquehanna Trail South Glen Rock, PA 17327-9199 (717) 235-7512 http://www.stewartconnector.com	
	TITLE: SFP+ CONNECTOR ASSEMBLY, 20 POSITION, SURFACE MOUNT	

THIS DRAWING AND THE SUBJECT MATTER SHOWN THEREON ARE CONFIDENTIAL AND THE PROPRIETARY PROPERTY OF STEWART CONNECTOR AND SHALL NOT BE REPRODUCED, COPIED, OR USED IN ANY MANNER WITHOUT PRIOR WRITTEN CONSENT OF STEWART CONNECTOR. ONE OR MORE U.S. PATENTS MAY APPLY TO THIS PRODUCT. FOR DETAILS, PLEASE VISIT: HTTP://BELFUSE.COM/STEWART/STEWART_PATENTS/		DRN BY: TRM	DATE: 6-6-17
		APPD BY: DHG	DATE: 6-30-17
		DWG NO. CT790004	REV. A1

2

1

AutoCAD