



Chipsmall Limited consists of a professional team with an average of over 10 year of expertise in the distribution of electronic components. Based in Hongkong, we have already established firm and mutual-benefit business relationships with customers from,Europe,America and south Asia,supplying obsolete and hard-to-find components to meet their specific needs.

With the principle of “Quality Parts,Customers Priority,Honest Operation,and Considerate Service”,our business mainly focus on the distribution of electronic components. Line cards we deal with include Microchip,ALPS,ROHM,Xilinx,Pulse,ON,Everlight and Freescale. Main products comprise IC,Modules,Potentiometer,IC Socket,Relay,Connector.Our parts cover such applications as commercial,industrial, and automotives areas.

We are looking forward to setting up business relationship with you and hope to provide you with the best service and solution. Let us make a better world for our industry!



## Contact us

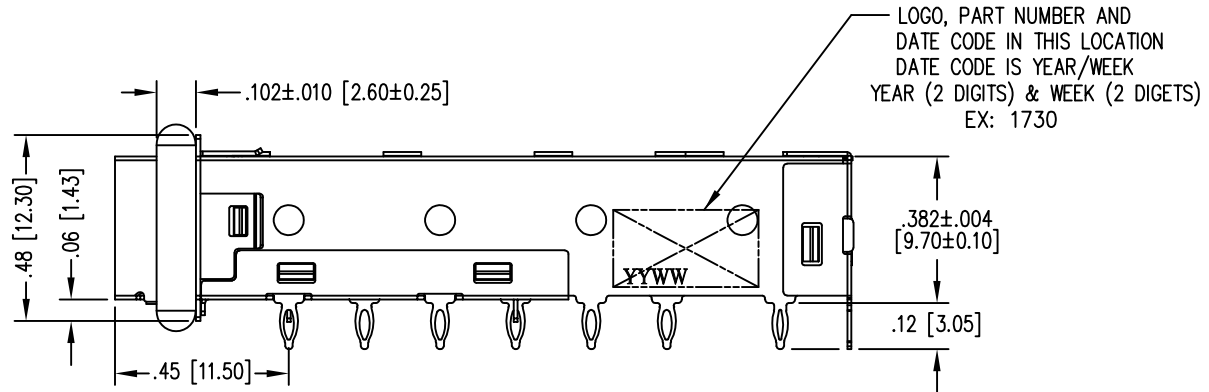
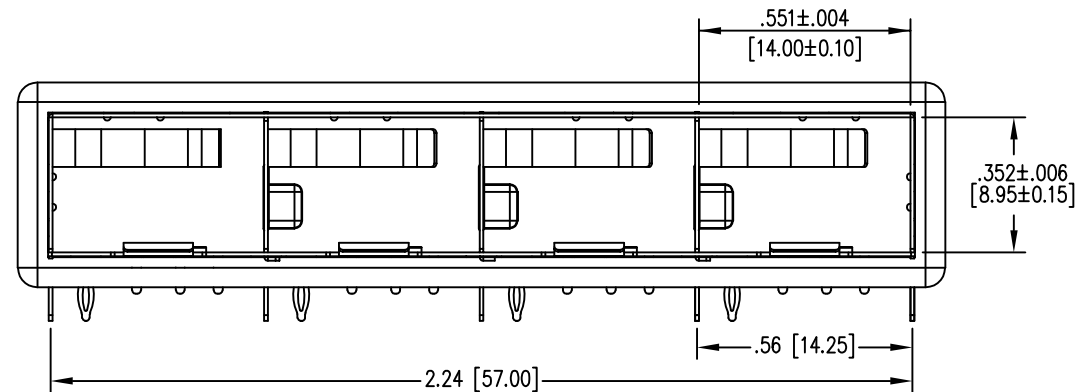
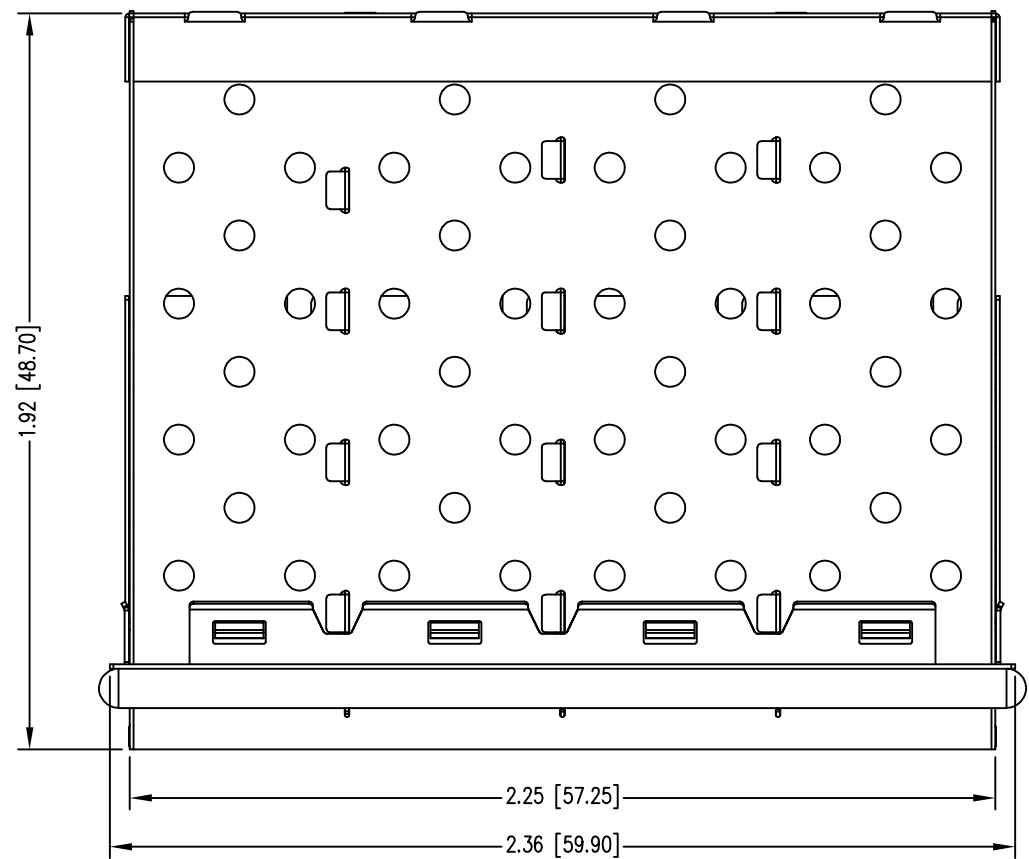
Tel: +86-755-8981 8866 Fax: +86-755-8427 6832

Email & Skype: info@chipsmall.com Web: www.chipsmall.com

Address: A1208, Overseas Decoration Building, #122 Zhenhua RD., Futian, Shenzhen, China



DATE	REV	ECN	APP'D. BY
8-11-17	A2	11061	TRM
8-16-17	A3	11066	TRM



LOGO, PART NUMBER AND DATE CODE IN THIS LOCATION  
DATE CODE IS YEAR/WEEK  
YEAR (2 DIGITS) & WEEK (2 DIGITS)  
EX: 1730

SS-79100-008  
PART NUMBER

- NOTES:
- MATERIALS:  
CAGE: 1 PIECE COPPER ALLOY T= 0.01 [0.25]  
GASKET FLANGE: 1 PIECE COPPER ALLOY T = 0.01 [0.25]  
EMI GASKET: 1 PIECE PLATED FILLED SILICONE
  - PLATING:  
CAGE: NICKEL
  - TEMPERATURE:  
OPERATIONAL: -40°C~+85°C  
STORAGE: -55°C~+105°C
  - FOR PRODUCT SPECIFICATIONS SEE PR043-01.
  - MATES WITH SFP MSA COMPLIANT TRANSCEIVERS.



THIRD ANGLE PROJECTION  
DRAWING IS SUBJECT TO CHANGE WITHOUT NOTICE  
UNLESS OTHERWISE SPECIFIED DIMENSIONS INCHES [METRIC]  
TOLERANCES ARE:  
ANGLES ± 0.5°  
1 PLC. DEC. ±.010" [±0.25]  
2 PLC. DEC. ±.008" [±0.20]  
3 PLC. DEC. ±.006" [±0.15]  
DO NOT SCALE DRAWING  
SHEET NO. 1 OF 2

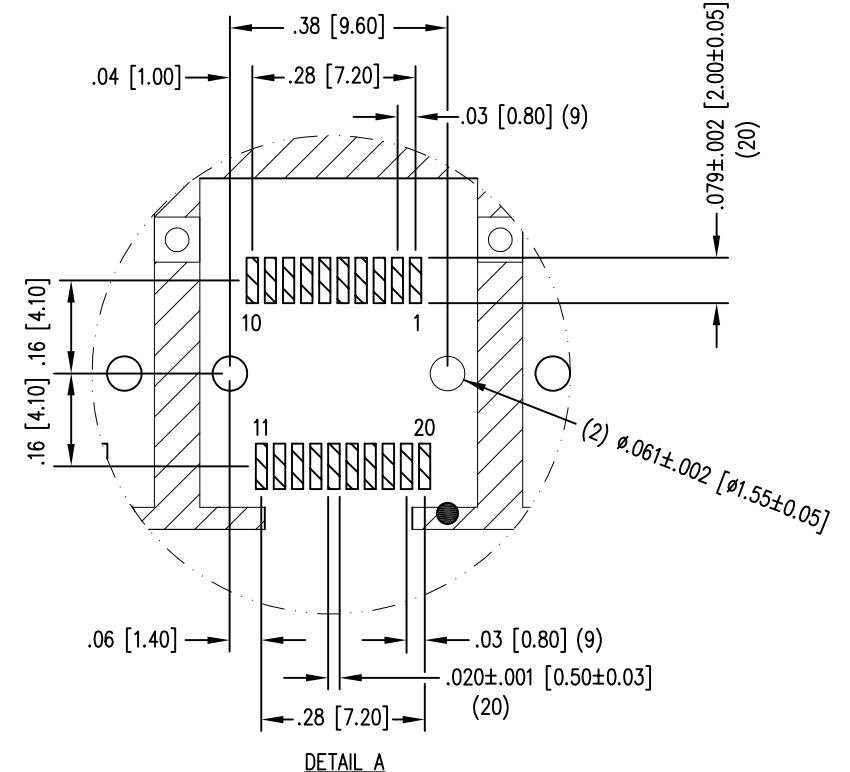
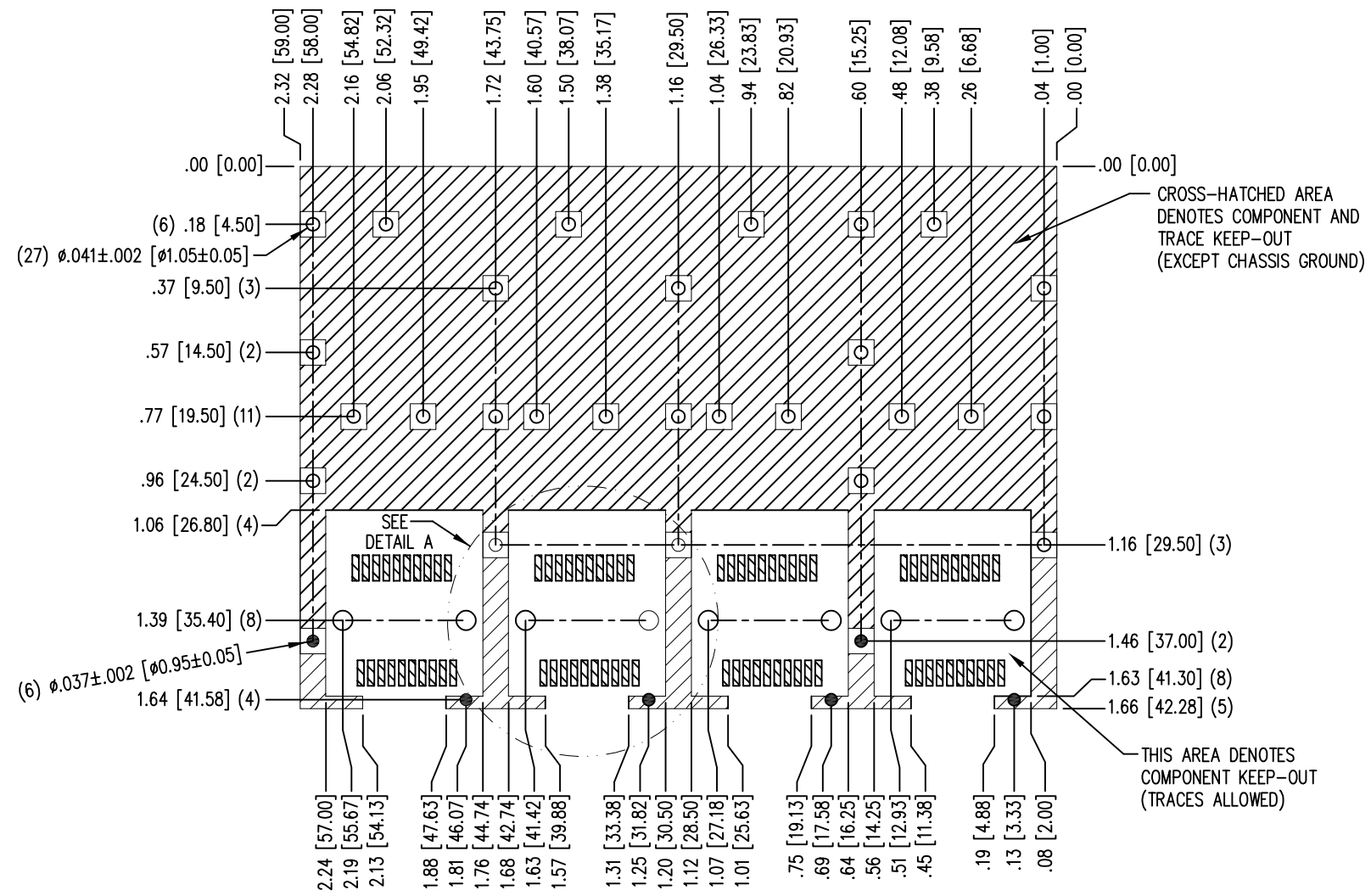
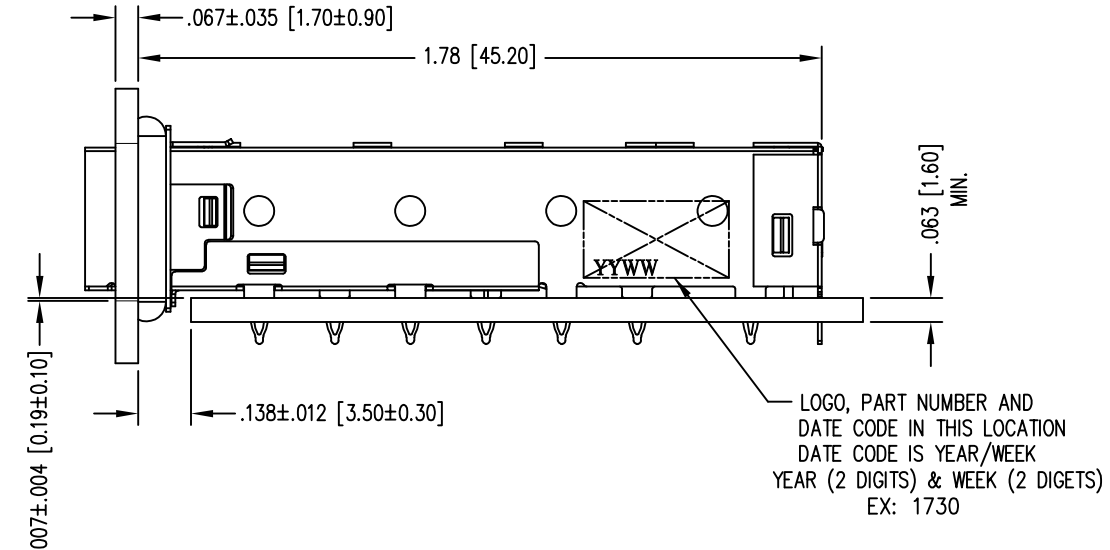
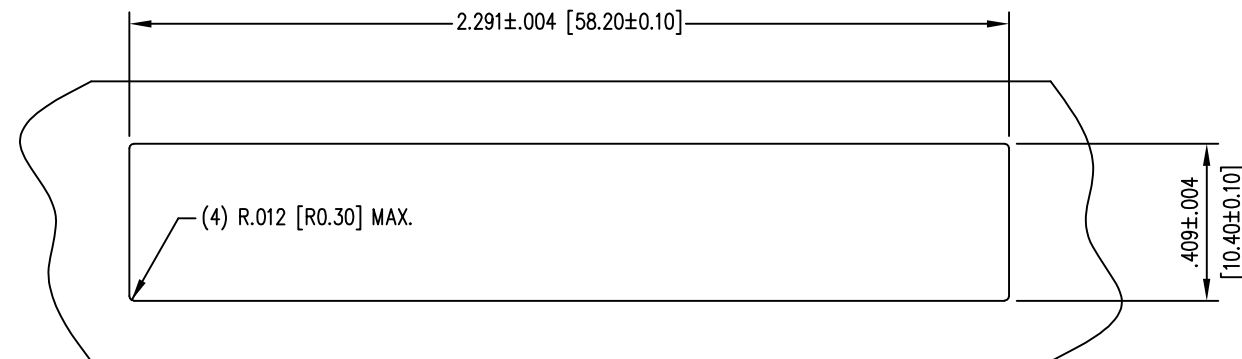


1118 Susquehanna Trail South  
Glen Rock, PA 17327-9199  
(717) 235-7512  
<http://www.stewartconnector.com>

TITLE: SFP+ 1X4 CAGE WITH GASKET, PRESS FIT

THIS DRAWING AND THE SUBJECT MATTER SHOWN THEREON ARE CONFIDENTIAL AND THE PROPRIETARY PROPERTY OF STEWART CONNECTOR AND SHALL NOT BE REPRODUCED, COPIED, OR USED IN ANY MANNER WITHOUT PRIOR WRITTEN CONSENT OF STEWART CONNECTOR. ONE OR MORE U.S. PATENTS MAY APPLY TO THIS PRODUCT. FOR DETAILS, PLEASE VISIT: [HTTP://BELFUSE.COM/STEWART/STEWART\\_PATENTS/](http://BELFUSE.COM/STEWART/STEWART_PATENTS/)

DRN BY:	TRM	DATE	6-9-17
APPD BY:	DHG	DATE	6-30-17
DWG NO.	CT790008	REV.	A3



PCB LAYOUT THICKNESS = .118 [3.0] (TOP VIEW)



<p>THIRD ANGLE PROJECTION</p> <p>DRAWING IS SUBJECT TO CHANGE WITHOUT NOTICE</p> <p>UNLESS OTHERWISE SPECIFIED DIMENSIONS INCHES [METRIC]</p> <p>TOLERANCES ARE:</p> <p>ANGLES ± 0.5°</p> <p>1 PLC. DEC. ±.010" [±0.25]</p> <p>2 PLC. DEC. ±.008" [±0.20]</p> <p>3 PLC. DEC. ±.006" [±0.15]</p> <p>DO NOT SCALE DRAWING</p> <p>SHEET NO. 2 OF 2</p>	<p>1118 Susquehanna Trail South Glen Rock, PA 17327-9199 (717) 235-7512 <a href="http://www.stewartconnector.com">http://www.stewartconnector.com</a></p> <p>TITLE: SFP+ 1X4 CAGE WITH GASKET, PRESS FIT</p> <p>THIS DRAWING AND THE SUBJECT MATTER SHOWN THEREON ARE CONFIDENTIAL AND THE PROPRIETARY PROPERTY OF STEWART CONNECTOR AND SHALL NOT BE REPRODUCED, COPIED, OR USED IN ANY MANNER WITHOUT PRIOR WRITTEN CONSENT OF STEWART CONNECTOR. ONE OR MORE U.S. PATENTS MAY APPLY TO THIS PRODUCT. FOR DETAILS, PLEASE VISIT: <a href="http://BELFUSE.COM/STEWART/STEWART_PATENTS/">HTTP://BELFUSE.COM/STEWART/STEWART_PATENTS/</a></p>	<p>DRN BY: TRM DATE 6-9-17</p> <p>APPD BY: DHG DATE 6-30-17</p> <p>DWG NO. CT790008 REV. A3</p>
---	--	---