



Chipsmall Limited consists of a professional team with an average of over 10 year of expertise in the distribution of electronic components. Based in Hongkong, we have already established firm and mutual-benefit business relationships with customers from,Europe,America and south Asia,supplying obsolete and hard-to-find components to meet their specific needs.

With the principle of “Quality Parts,Customers Priority,Honest Operation,and Considerate Service”,our business mainly focus on the distribution of electronic components. Line cards we deal with include Microchip,ALPS,ROHM,Xilinx,Pulse,ON,Everlight and Freescale. Main products comprise IC,Modules,Potentiometer,IC Socket,Relay,Connector.Our parts cover such applications as commercial,industrial, and automotives areas.

We are looking forward to setting up business relationship with you and hope to provide you with the best service and solution. Let us make a better world for our industry!



Contact us

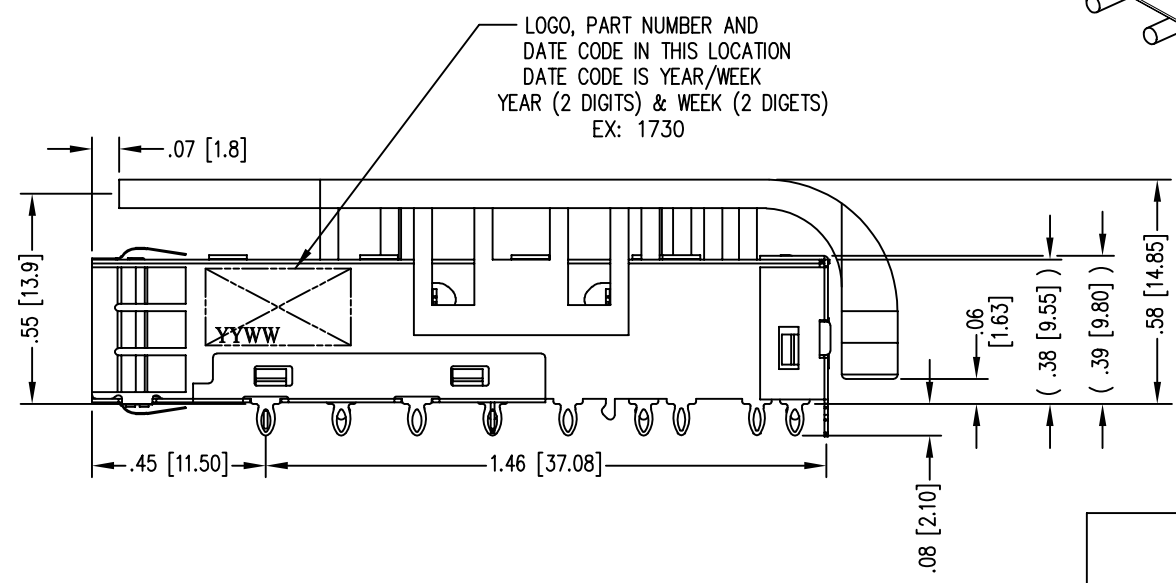
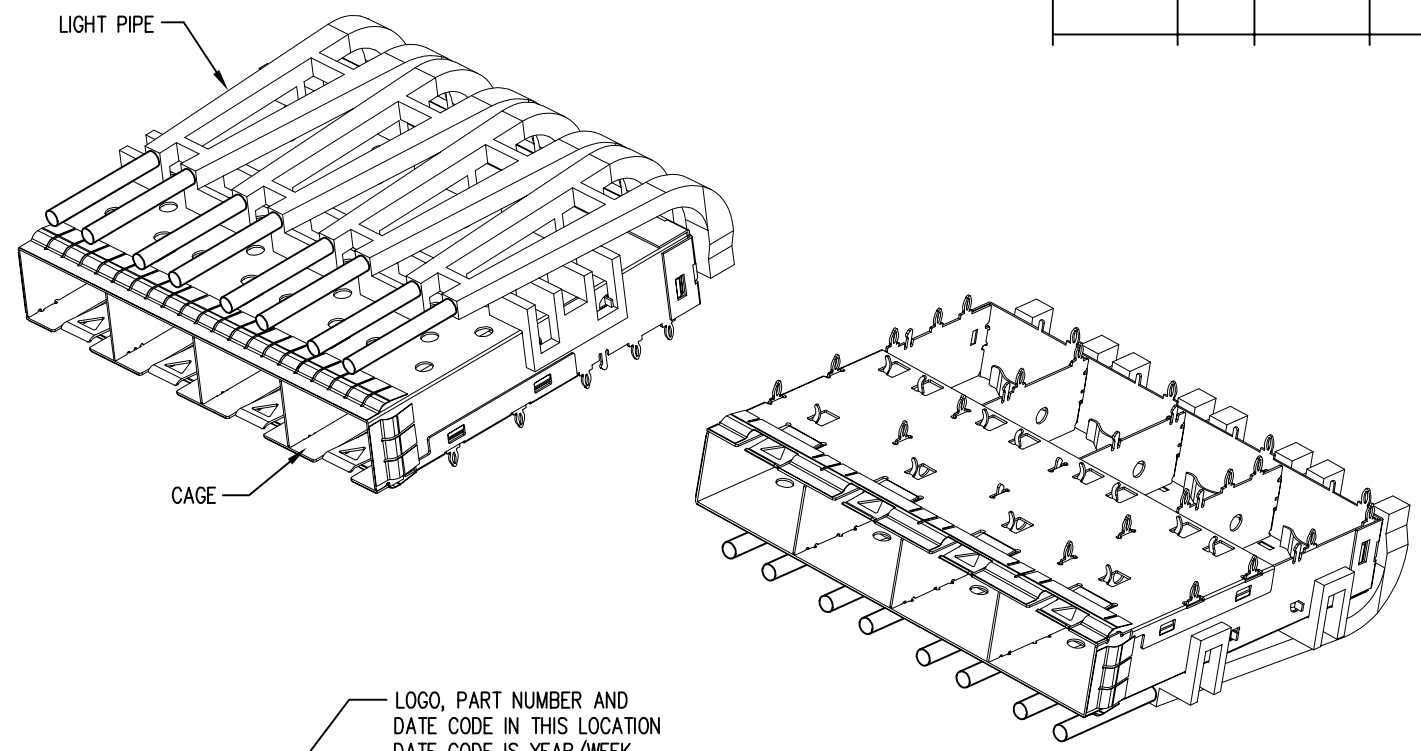
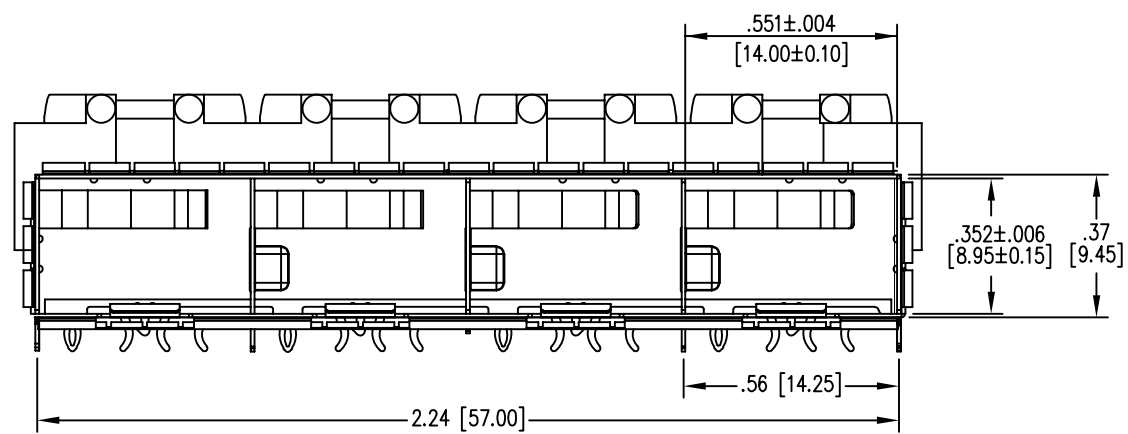
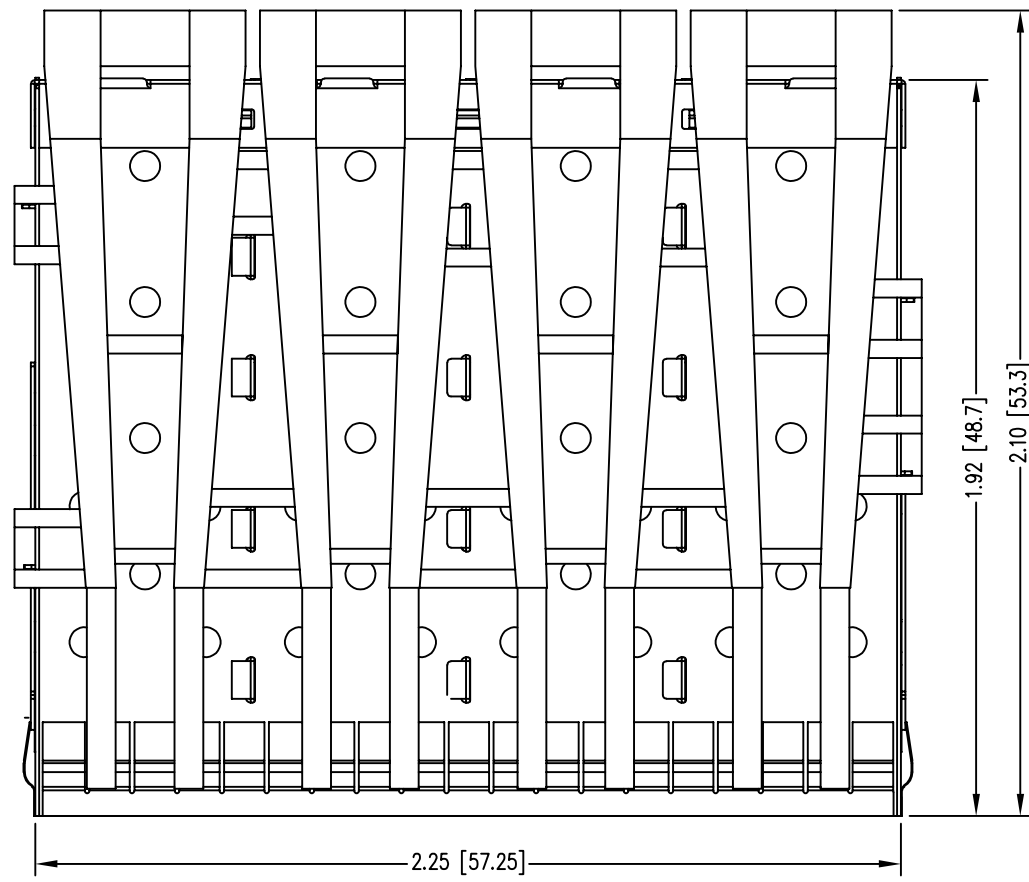
Tel: +86-755-8981 8866 Fax: +86-755-8427 6832

Email & Skype: info@chipsmall.com Web: www.chipsmall.com

Address: A1208, Overseas Decoration Building, #122 Zhenhua RD., Futian, Shenzhen, China



DATE	REV	ECN	APP'D. BY
8-11-17	A4	11061	TRM
8-16-17	A5	11066	TRM



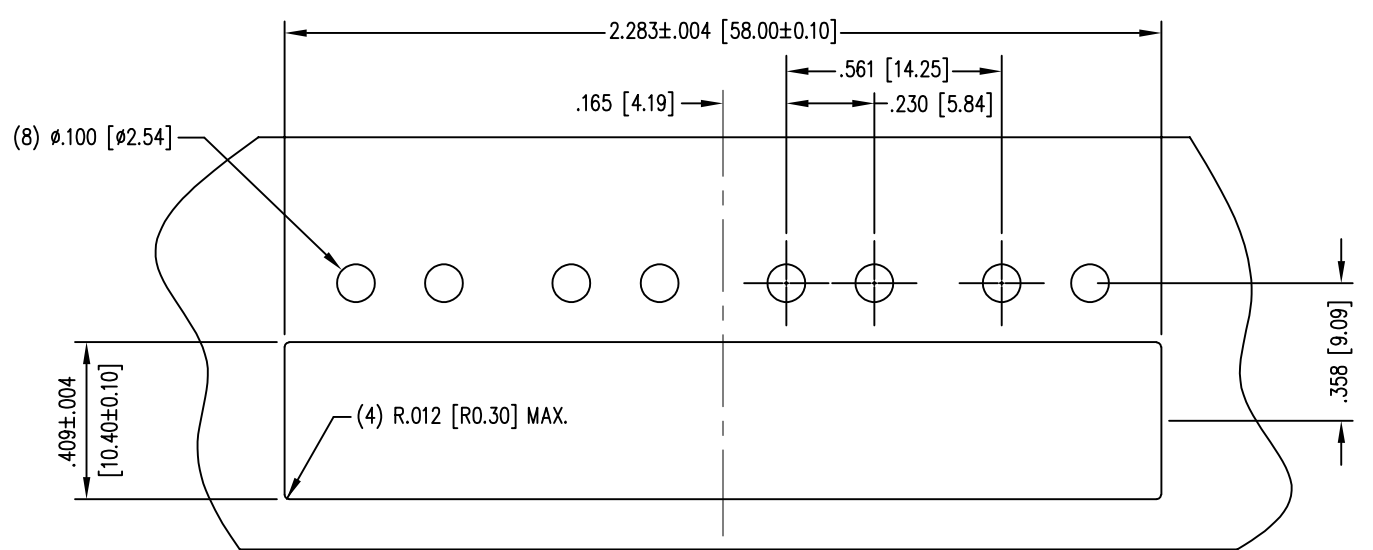
LOGO, PART NUMBER AND DATE CODE IN THIS LOCATION
DATE CODE IS YEAR/WEEK
YEAR (2 DIGITS) & WEEK (2 DIGETS)
EX: 1730

- NOTES:
- MATERIALS:
CAGE: COPPER ALLOY
EMI SPRINGS: COPPER ALLOY
LIGHT PIPE: PC UL 94V-0, COLOR: CLEAR
 - PLATING:
CAGE: NICKEL
EMI SPRINGS: NICKEL
 - TEMPERATURE:
OPERATIONAL: -40°C~+85°C
STORAGE: -55°C~+105°C
 - FOR PRODUCT SPECIFICATIONS SEE PR043-01.
 - MATES WITH SFP MSA COMPLIANT TRANSCEIVERS.

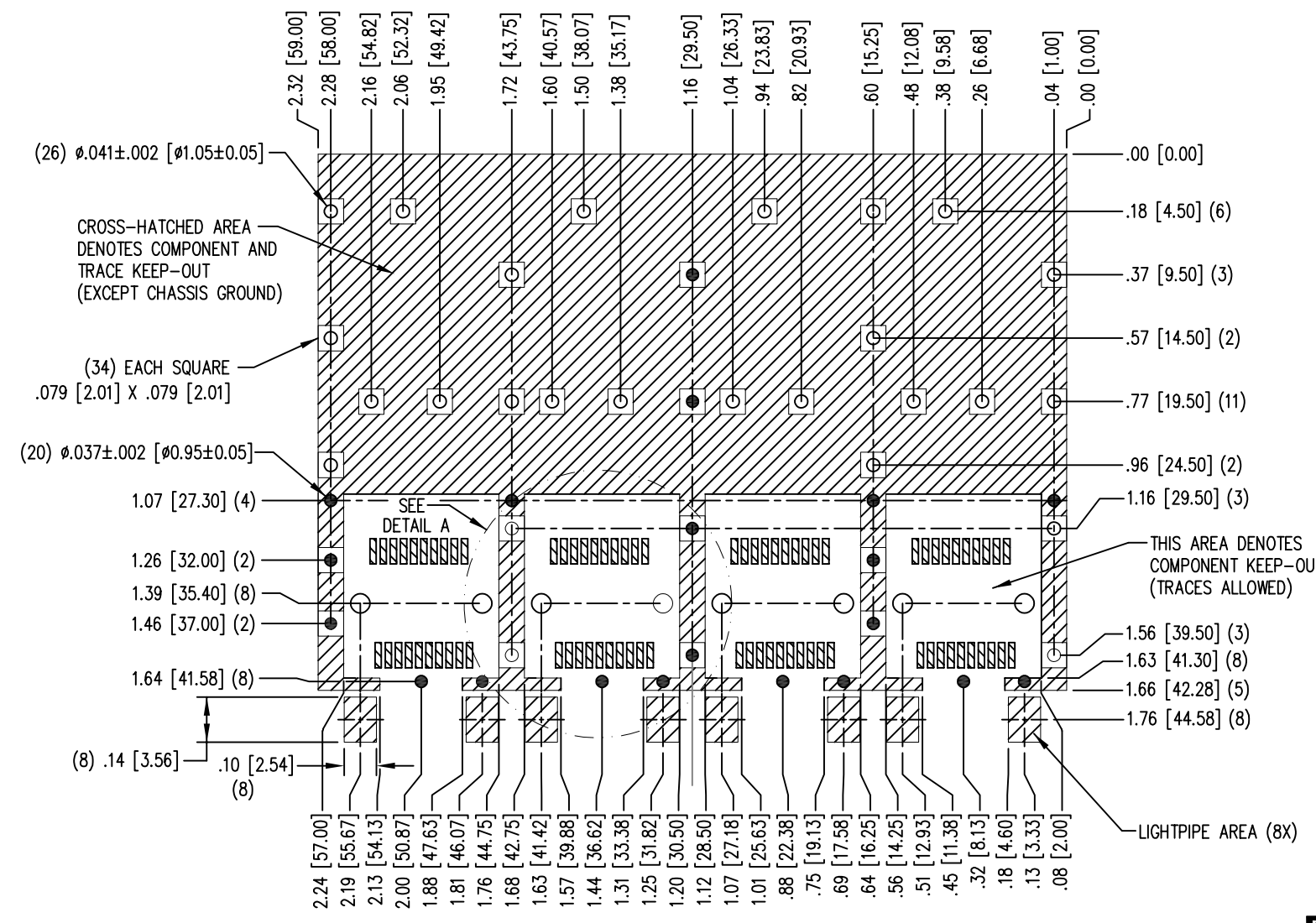
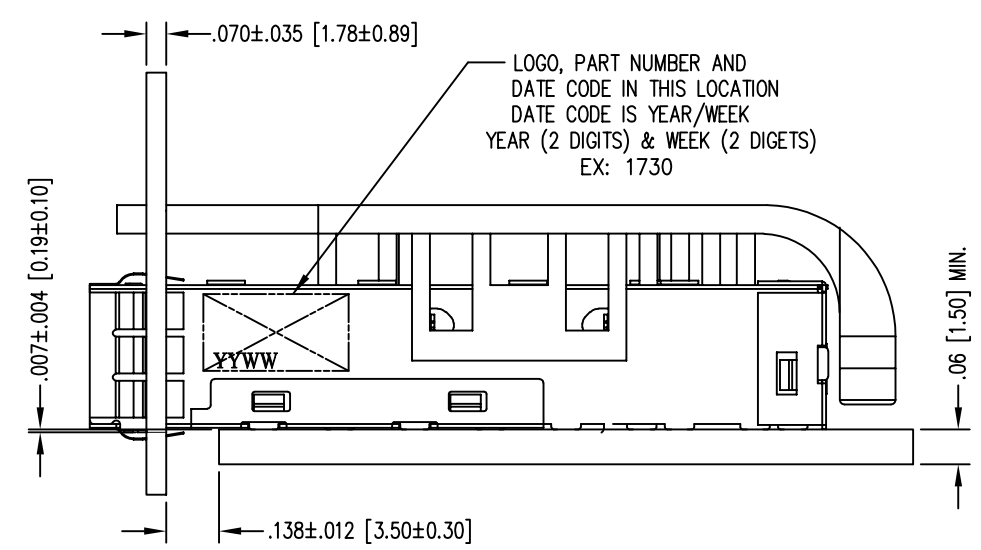
SS-79100-009
PART NUMBER



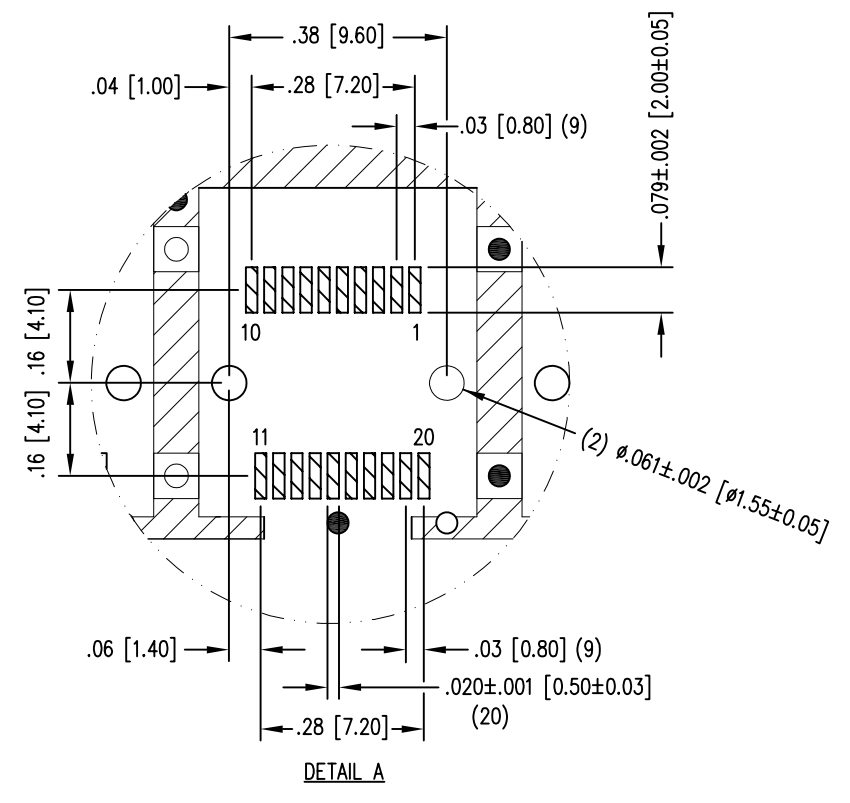
<p>THIRD ANGLE PROJECTION</p> <p>DRAWING IS SUBJECT TO CHANGE WITHOUT NOTICE</p> <p>UNLESS OTHERWISE SPECIFIED DIMENSIONS INCHES [METRIC] TOLERANCES ARE:</p> <p>ANGLES ± 2°</p> <p>1 PLC. DEC. ±.010" [±0.25]</p> <p>2 PLC. DEC. ±.008" [±0.20]</p> <p>3 PLC. DEC. ±.004" [±0.10]</p> <p>DO NOT SCALE DRAWING</p> <p>SHEET NO. 1 OF 2</p>	<p>1118 Susquehanna Trail South Glen Rock, PA 17327-9199 (717) 235-7512 http://www.stewartconnector.com</p>	<p>TITLE: SFP+ 1X4 CAGE W/LIGHT PIPE, PRESS FIT</p>					
		<p>THIS DRAWING AND THE SUBJECT MATTER SHOWN THEREON ARE CONFIDENTIAL AND THE PROPRIETARY PROPERTY OF STEWART CONNECTOR AND SHALL NOT BE REPRODUCED, COPIED, OR USED IN ANY MANNER WITHOUT PRIOR WRITTEN CONSENT OF STEWART CONNECTOR. ONE OR MORE U.S. PATENTS MAY APPLY TO THIS PRODUCT. FOR DETAILS, PLEASE VISIT: HTTP://BELFUSE.COM/STEWART/STEWART_PATENTS/</p>	<table border="1"> <tr> <td>DRN BY: TRM</td> <td>DATE: 6-12-17</td> </tr> <tr> <td>APPD BY: DHG</td> <td>DATE: 6-30-17</td> </tr> <tr> <td>DWG NO. CT790009</td> <td>REV. A5</td> </tr> </table>	DRN BY: TRM	DATE: 6-12-17	APPD BY: DHG	DATE: 6-30-17
DRN BY: TRM	DATE: 6-12-17						
APPD BY: DHG	DATE: 6-30-17						
DWG NO. CT790009	REV. A5						



BEZEL AND BOARD POSITION DIMENSIONS



PCB LAYOUT THICKNESS = .118 [3.0] (TOP VIEW)
 PCB TOLERANCES: ±.002 [±0.05]



DETAIL A

THIRD ANGLE PROJECTION 			1118 Susquehanna Trail South Glen Rock, PA 17327-9199 (717) 235-7512 http://www.stewartconnector.com	
DRAWING IS SUBJECT TO CHANGE WITHOUT NOTICE UNLESS OTHERWISE SPECIFIED DIMENSIONS INCHES [METRIC] TOLERANCES ARE: ANGLES ± 2° 1 PLC. DEC. ±.010" [±0.25] 2 PLC. DEC. ±.008" [±0.20] 3 PLC. DEC. ±.004" [±0.10] DO NOT SCALE DRAWING			TITLE: SFP+ 1X4 CAGE W/LIGHT PIPE, PRESS FIT THIS DRAWING AND THE SUBJECT MATTER SHOWN THEREON ARE CONFIDENTIAL AND THE PROPRIETARY PROPERTY OF STEWART CONNECTOR AND SHALL NOT BE REPRODUCED, COPIED, OR USED IN ANY MANNER WITHOUT PRIOR WRITTEN CONSENT OF STEWART CONNECTOR. ONE OR MORE U.S. PATENTS MAY APPLY TO THIS PRODUCT. FOR DETAILS, PLEASE VISIT: HTTP://BELFUSE.COM/STEWART/STEWART_PATENTS/	
SHEET NO. 2 OF 2		DRN BY: TRM	DATE: 6-12-17	
		APPD BY: DHG	DATE: 6-30-17	
		DWG NO. CT790009	REV. A5	