



Chipsmall Limited consists of a professional team with an average of over 10 year of expertise in the distribution of electronic components. Based in Hongkong, we have already established firm and mutual-benefit business relationships with customers from,Europe,America and south Asia,supplying obsolete and hard-to-find components to meet their specific needs.

With the principle of “Quality Parts,Customers Priority,Honest Operation,and Considerate Service”,our business mainly focus on the distribution of electronic components. Line cards we deal with include Microchip,ALPS,ROHM,Xilinx,Pulse,ON,Everlight and Freescale. Main products comprise IC,Modules,Potentiometer,IC Socket,Relay,Connector.Our parts cover such applications as commercial,industrial, and automotives areas.

We are looking forward to setting up business relationship with you and hope to provide you with the best service and solution. Let us make a better world for our industry!



Contact us

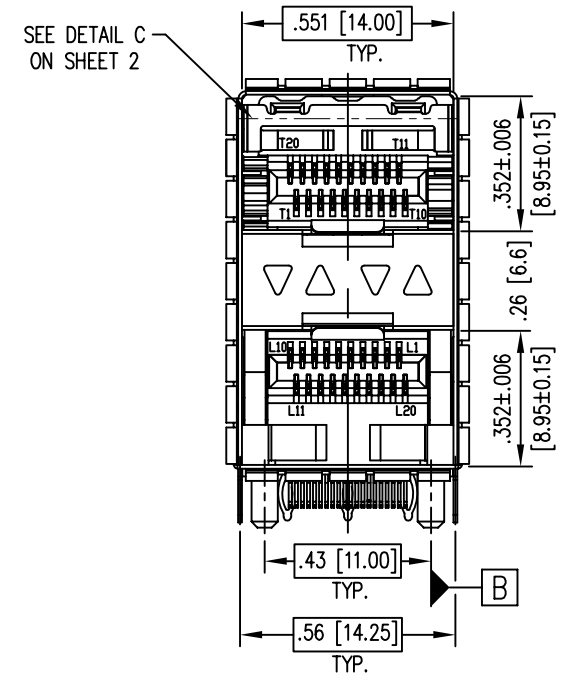
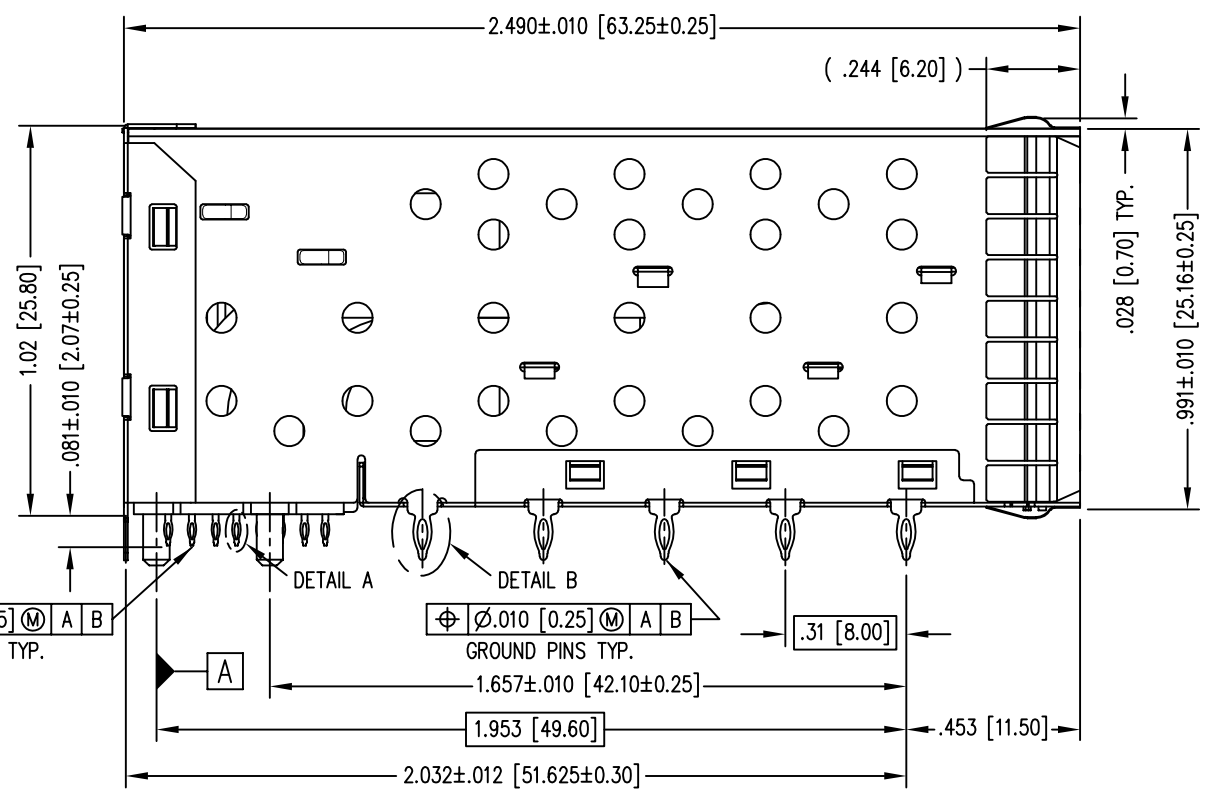
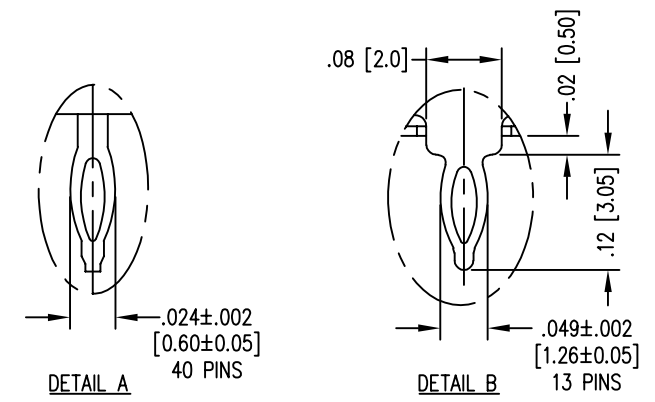
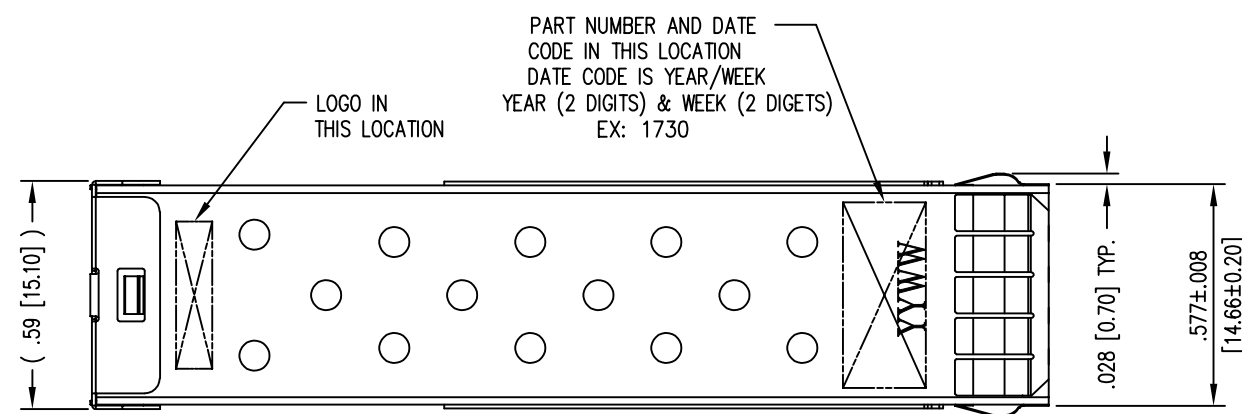
Tel: +86-755-8981 8866 Fax: +86-755-8427 6832

Email & Skype: info@chipsmall.com Web: www.chipsmall.com

Address: A1208, Overseas Decoration Building, #122 Zhenhua RD., Futian, Shenzhen, China



DATE	REV	ECN	APP'D. BY
8-11-17	A2	11061	TRM
8-16-17	A3	11066	TRM



- NOTES:
- MATERIALS:
CONTACT: PHOSPHOR BRONZE
CONNECTOR HOUSING: LCP UL 94V-0 COLOR: BLACK
MOLDED INSERT: HIGH TEMP PLASTIC UL 94V-0 COLOR: BLACK
CAGE: COPPER ALLOY
LIGHT PIPES: POLYCARBONATE UL 94V-0 COLOR: CLEAR
LIGHT PIPE HOUSING: PBT UL 94V-0 COLOR: BLACK
EMI SPRINGS: COPPER ALLOY
 - PLATING:
PCB PINS: 0.0001 [2.54um] MINIMUM MATTE TIN
OVER 0.00005 [1.27um] MINIMUM NICKEL
CAGE: NICKEL
 - TEMPERATURE:
OPERATIONAL: -40°C~+85°C
STORAGE: -55°C~+105°C
 - FOR PRODUCT SPECIFICATIONS SEE PR043-01.
 - MATES WITH SFP MSA COMPLIANT TRANSCEIVERS.

30 MICRO-INCHES [0.76um]	SS-79100-010
CONTACT PLATING IN MATING AREA	PART NUMBER



THIRD ANGLE PROJECTION

DRAWING IS SUBJECT TO CHANGE WITHOUT NOTICE

UNLESS OTHERWISE SPECIFIED DIMENSIONS INCHES [METRIC] TOLERANCES ARE:

ANGLES $\pm 2^\circ$
 1 PLC. DEC. $\pm .010'' [\pm 0.25]$
 2 PLC. DEC. $\pm .005'' [\pm 0.13]$
 3 PLC. DEC. $\pm .004'' [\pm 0.10]$
 DO NOT SCALE DRAWING

SHEET NO. 1 OF 4

1118 Susquehanna Trail South
Glen Rock, PA 17327-9199
(717) 235-7512
<http://www.stewartconnector.com>

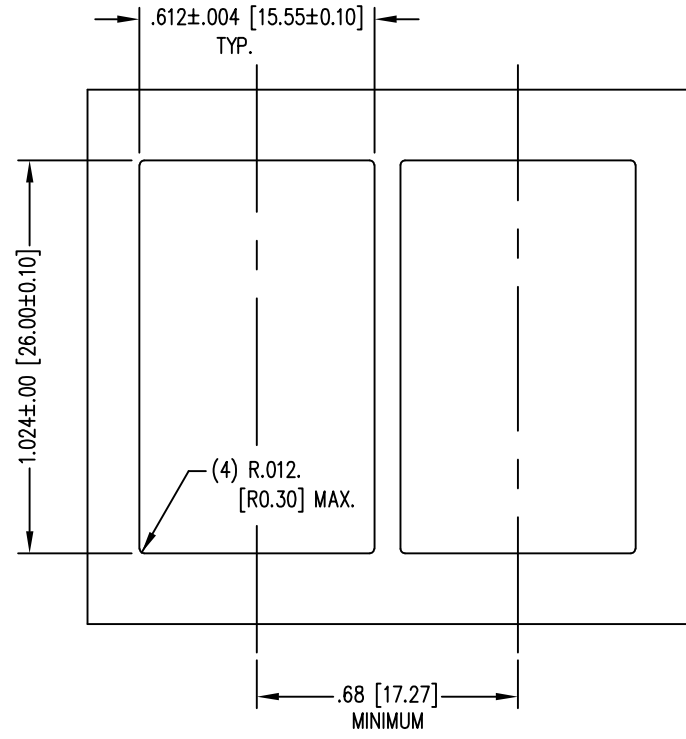
TITLE: SFP+ 2X1 CAGE W/LIGHT PIPES, PRESS FIT

THIS DRAWING AND THE SUBJECT MATTER SHOWN THEREON ARE CONFIDENTIAL AND THE PROPRIETARY PROPERTY OF STEWART CONNECTOR AND SHALL NOT BE REPRODUCED, COPIED, OR USED IN ANY MANNER WITHOUT PRIOR WRITTEN CONSENT OF STEWART CONNECTOR. ONE OR MORE U.S. PATENTS MAY APPLY TO THIS PRODUCT. FOR DETAILS, PLEASE VISIT: [HTTP://BELFUSE.COM/STEWART/STEWART_PATENTS/](http://BELFUSE.COM/STEWART/STEWART_PATENTS/)

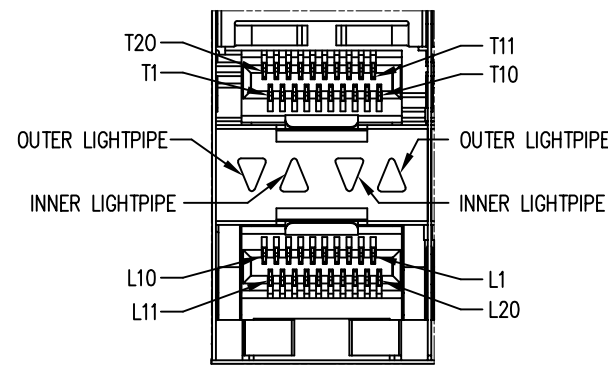
DRN BY: TRM	DATE: 6-15-17
APPD BY: DHG	DATE: 6-30-17
DWG NO. CT790010	REV. A3

B

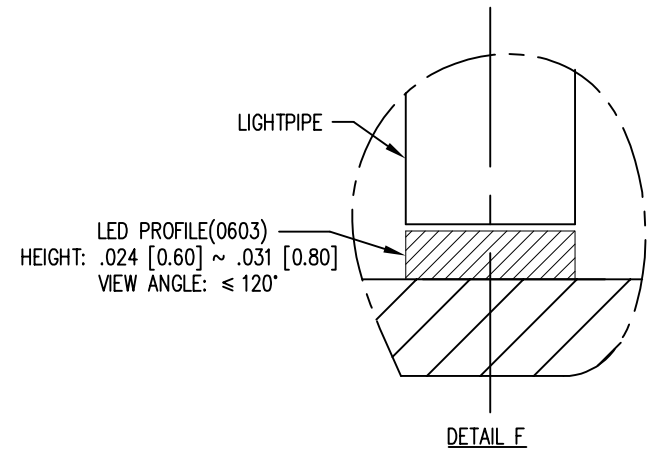
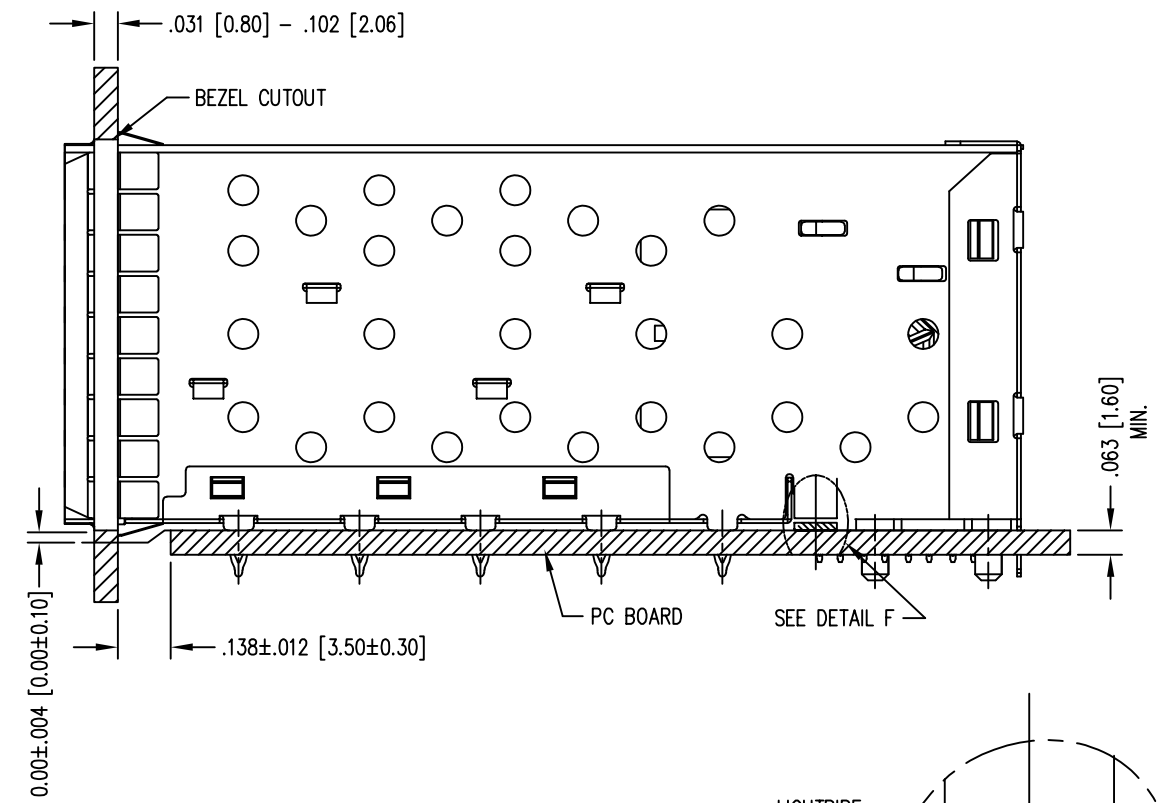
A



BEZEL CUT-OUT CENTER SPACING DETAIL
 BEZEL THICKNESS: .03 [0.8] - .10 [2.6]



DETAIL C



THIRD ANGLE PROJECTION 				1118 Susquehanna Trail South Glen Rock, PA 17327-9199 (717) 235-7512 http://www.stewartconnector.com	
DRAWING IS SUBJECT TO CHANGE WITHOUT NOTICE UNLESS OTHERWISE SPECIFIED DIMENSIONS INCHES [METRIC] TOLERANCES ARE: ANGLES ± 2° 1 PLC. DEC. ±.010" [±0.25] 2 PLC. DEC. ±.005" [±0.13] 3 PLC. DEC. ±.004" [±0.10] DO NOT SCALE DRAWING		TITLE: SFP+ 2X1 CAGE W/LIGHT PIPES, PRESS FIT		DRN BY: TRM DATE: 6-15-17 APPD BY: DHG DATE: 6-30-17	
SHEET NO. 2 OF 4		THIS DRAWING AND THE SUBJECT MATTER SHOWN THEREON ARE CONFIDENTIAL AND THE PROPRIETARY PROPERTY OF STEWART CONNECTOR AND SHALL NOT BE REPRODUCED, COPIED, OR USED IN ANY MANNER WITHOUT PRIOR WRITTEN CONSENT OF STEWART CONNECTOR. ONE OR MORE U.S. PATENTS MAY APPLY TO THIS PRODUCT. FOR DETAILS, PLEASE VISIT: HTTP://BELFUSE.COM/STEWART/STEWART_PATENTS/		DWG NO. CT790010 REV. A3	

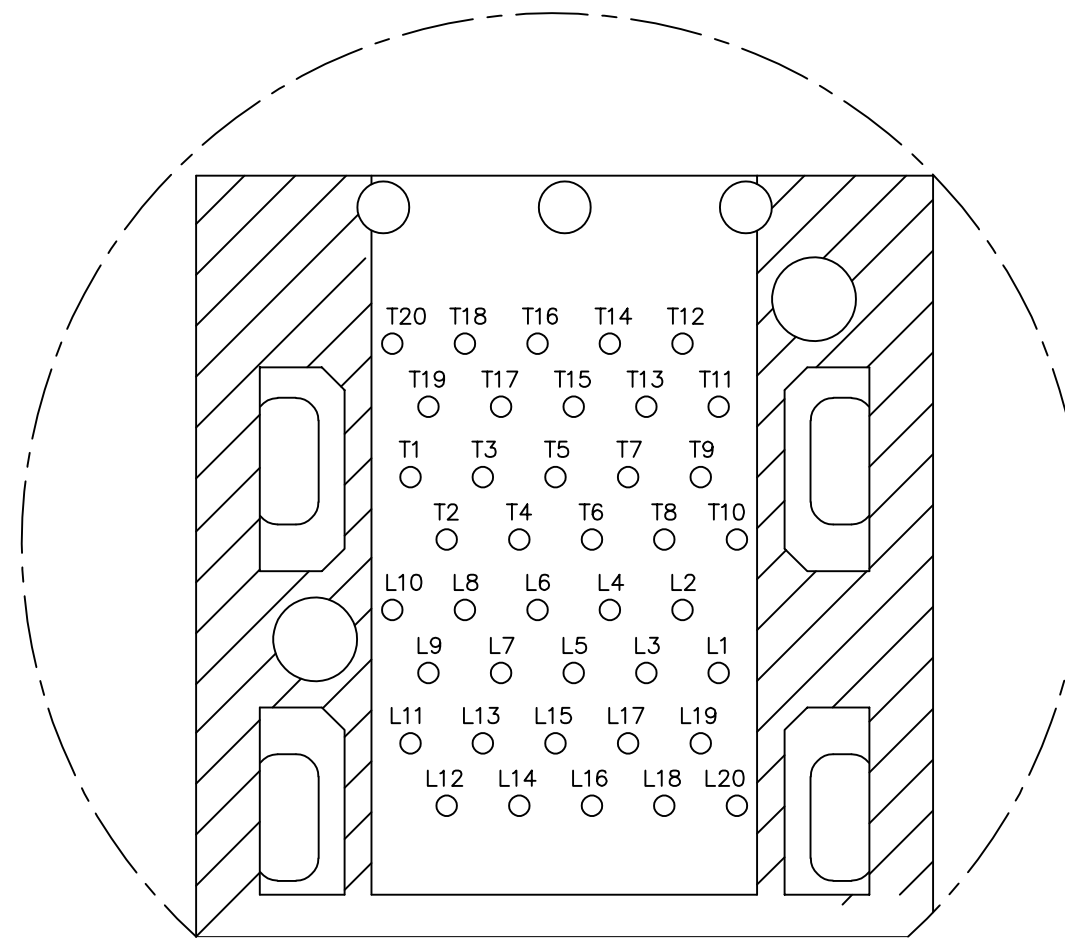
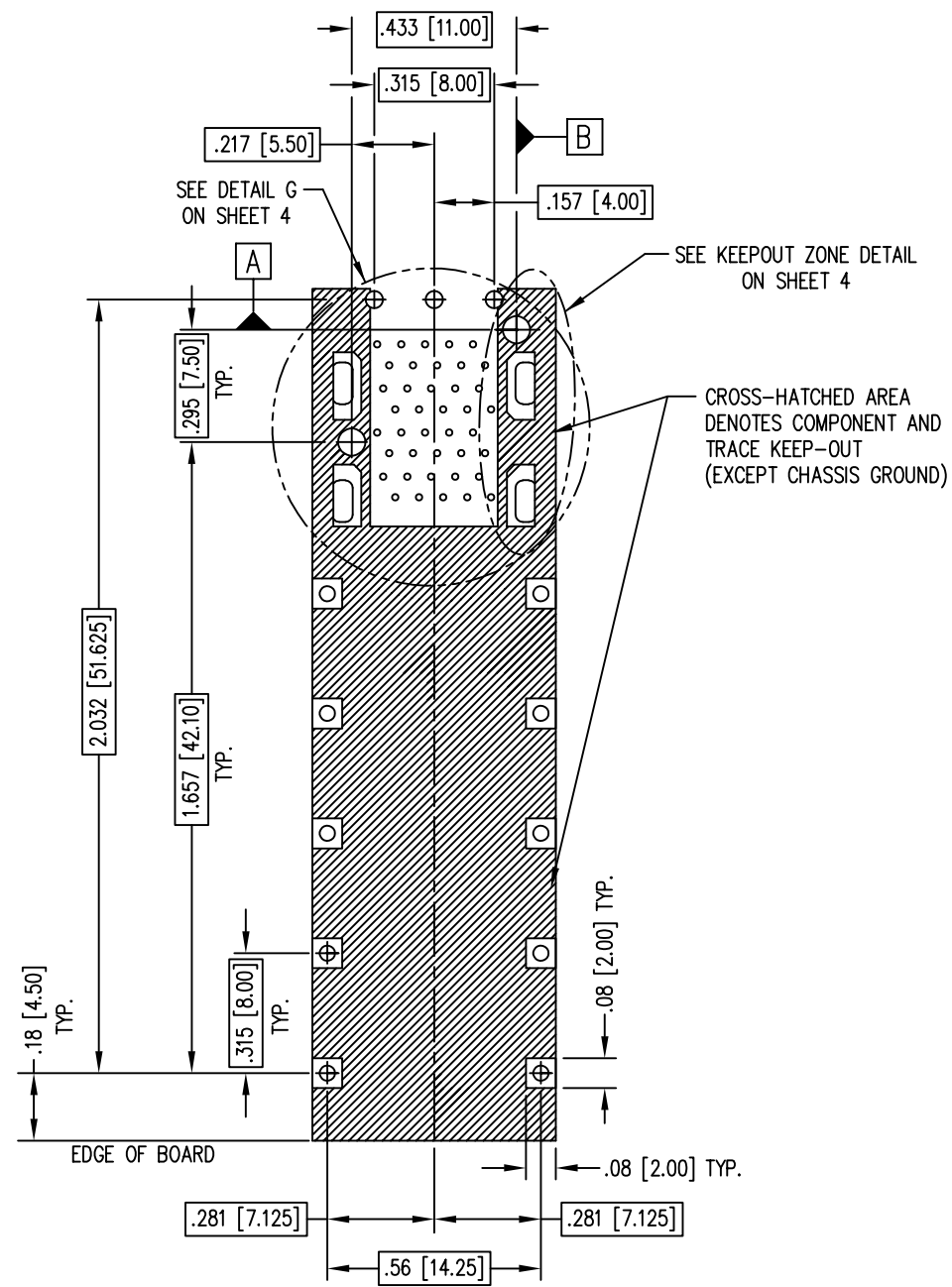
2

1

AutoCAD

B

A



CONNECTOR PIN-OUT
COMPONENT SIDE OF BOARD

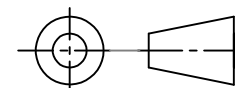
RECOMMENDED PCB LAYOUT - COMPONENT SIDE
RECOMMENDED PCB THICKNESS - .104 [2.63]

THE ENTIRE AREA OF THE CONNECTOR FOOTPRINT
TO BE CONSIDERED THE KEEP OUT AREA FOR COMPONENTS
(OTHER THAN LIGHTPIPE LEDS)
THIS AREA IS INDICATED BY THE DASHED LINE

RoHS



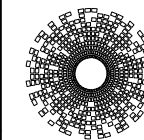
THIRD ANGLE PROJECTION



DRAWING IS SUBJECT TO
CHANGE WITHOUT NOTICE

UNLESS OTHERWISE SPECIFIED
DIMENSIONS INCHES [METRIC]
TOLERANCES ARE:
ANGLES ± 2°
1 PLC. DEC. ±.010" [±0.25]
2 PLC. DEC. ±.005" [±0.13]
3 PLC. DEC. ±.004" [±0.10]
DO NOT SCALE DRAWING

SHEET NO. 3 OF 4



stewart
CONNECTOR
a bel group

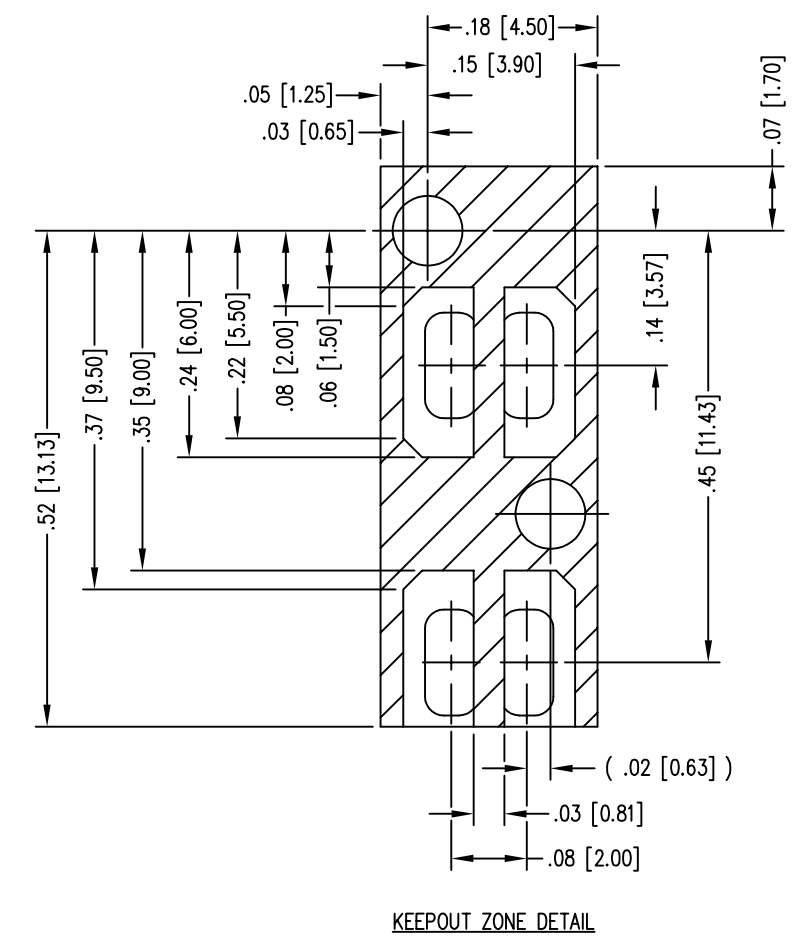
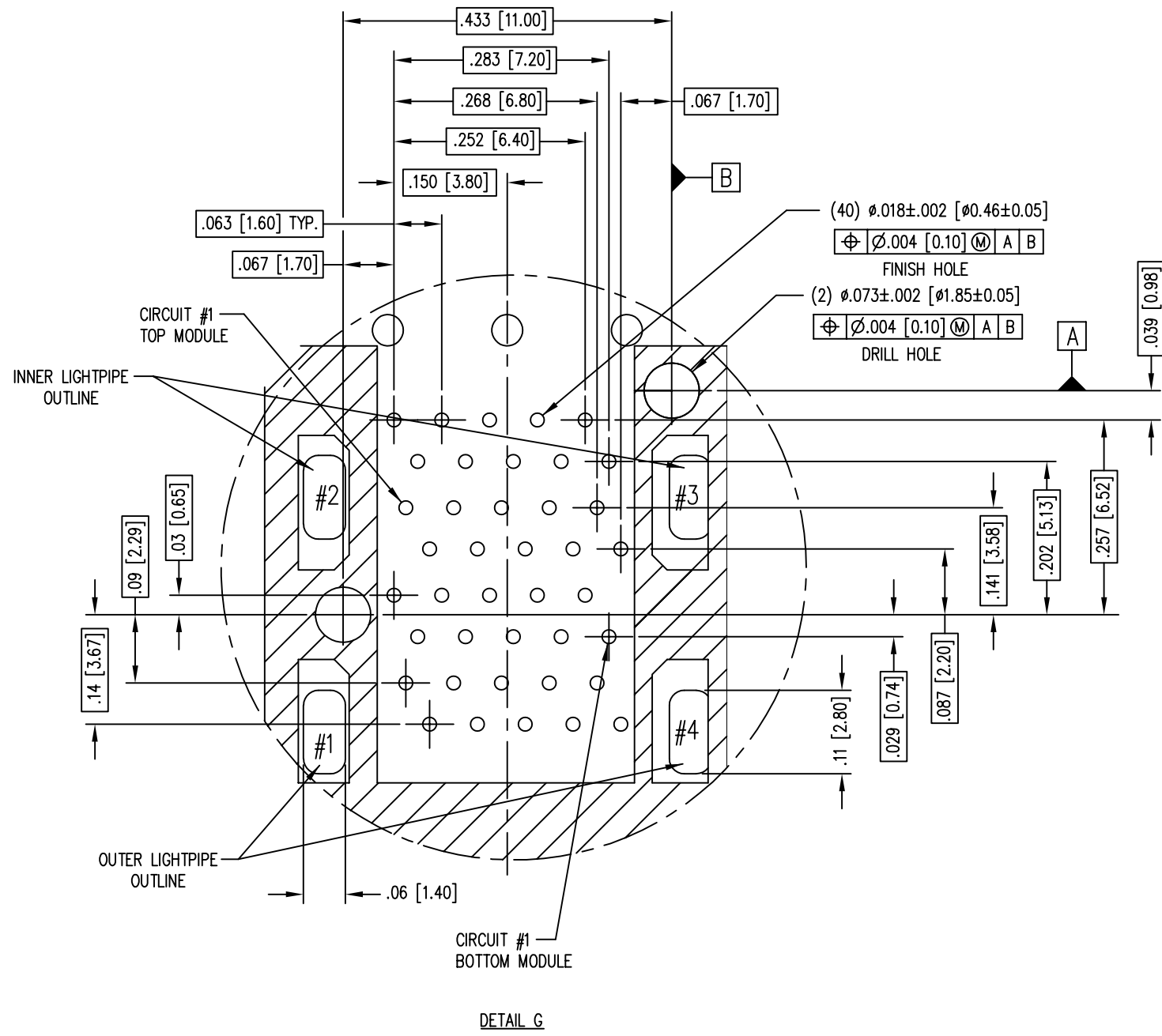
11118 Susquehanna Trail South
Glen Rock, PA 17327-9199
(717) 235-7512

<http://www.stewartconnector.com>

TITLE: SFP+ 2X1 CAGE W/LIGHT PIPES, PRESS FIT

THIS DRAWING AND THE SUBJECT MATTER SHOWN THEREON
ARE CONFIDENTIAL AND THE PROPRIETARY PROPERTY OF
STEWART CONNECTOR AND SHALL NOT BE REPRODUCED,
COPIED, OR USED IN ANY MANNER WITHOUT PRIOR WRITTEN
CONSENT OF STEWART CONNECTOR. ONE OR MORE U.S. PATENTS
MAY APPLY TO THIS PRODUCT. FOR DETAILS, PLEASE
VISIT: [HTTP://BELFUSE.COM/STEWART/STEWART_PATENTS/](http://BELFUSE.COM/STEWART/STEWART_PATENTS/)

DRN BY:	TRM	DATE	6-15-17
APPD BY:	DHG	DATE	6-30-17
DWG NO.	CT790010	REV.	A3



<p>THIRD ANGLE PROJECTION</p> <p>DRAWING IS SUBJECT TO CHANGE WITHOUT NOTICE</p> <p>UNLESS OTHERWISE SPECIFIED DIMENSIONS INCHES [METRIC] TOLERANCES ARE:</p> <p>ANGLES ± 2°</p> <p>1 PLC. DEC. ±.010" [±0.25]</p> <p>2 PLC. DEC. ±.005" [±0.13]</p> <p>3 PLC. DEC. ±.004" [±0.10]</p> <p>DO NOT SCALE DRAWING</p> <p>SHEET NO. 4 OF 4</p>	<p>11118 Susquehanna Trail South Glen Rock, PA 17327-9199 (717) 235-7512 http://www.stewartconnector.com</p>	<p>TITLE: SFP+ 2X1 CAGE W/LIGHT PIPES, PRESS FIT</p>	
		<p>THIS DRAWING AND THE SUBJECT MATTER SHOWN THEREON ARE CONFIDENTIAL AND THE PROPRIETARY PROPERTY OF STEWART CONNECTOR AND SHALL NOT BE REPRODUCED, COPIED, OR USED IN ANY MANNER WITHOUT PRIOR WRITTEN CONSENT OF STEWART CONNECTOR. ONE OR MORE U.S. PATENTS MAY APPLY TO THIS PRODUCT. FOR DETAILS, PLEASE VISIT: HTTP://BELFUSE.COM/STEWART/STEWART_PATENTS/</p>	<p>DRN BY: TRM DATE: 6-15-17</p> <p>APPD BY: DHG DATE: 6-30-17</p> <p>DWG NO. CT790010 REV. A3</p>