



Chipsmall Limited consists of a professional team with an average of over 10 year of expertise in the distribution of electronic components. Based in Hongkong, we have already established firm and mutual-benefit business relationships with customers from,Europe,America and south Asia,supplying obsolete and hard-to-find components to meet their specific needs.

With the principle of “Quality Parts,Customers Priority,Honest Operation,and Considerate Service”,our business mainly focus on the distribution of electronic components. Line cards we deal with include Microchip,ALPS,ROHM,Xilinx,Pulse,ON,Everlight and Freescale. Main products comprise IC,Modules,Potentiometer,IC Socket,Relay,Connector.Our parts cover such applications as commercial,industrial, and automotives areas.

We are looking forward to setting up business relationship with you and hope to provide you with the best service and solution. Let us make a better world for our industry!



## Contact us

Tel: +86-755-8981 8866 Fax: +86-755-8427 6832

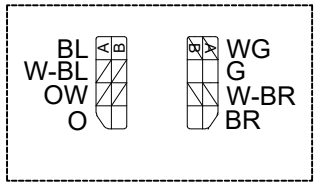
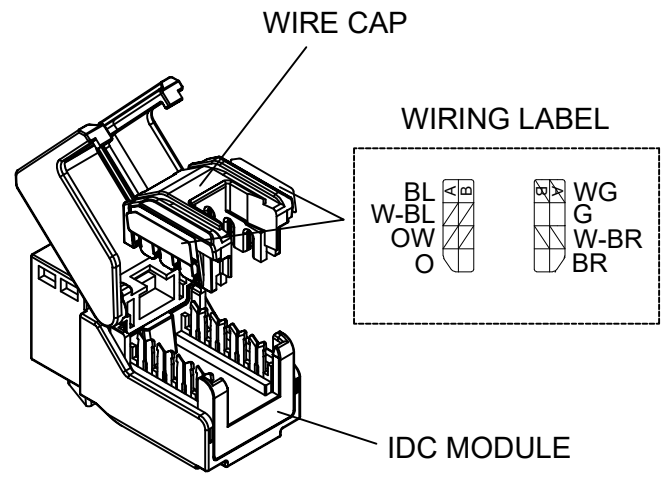
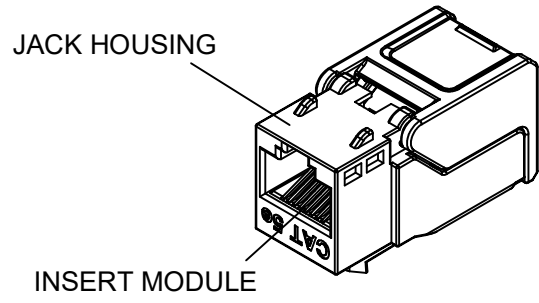
Email & Skype: info@chipsmall.com Web: www.chipsmall.com

Address: A1208, Overseas Decoration Building, #122 Zhenhua RD., Futian, Shenzhen, China



DATE	REV	ECN	APP'D. BY
03/08/18	A0	Released	TM

### ISOMETRIC VIEW



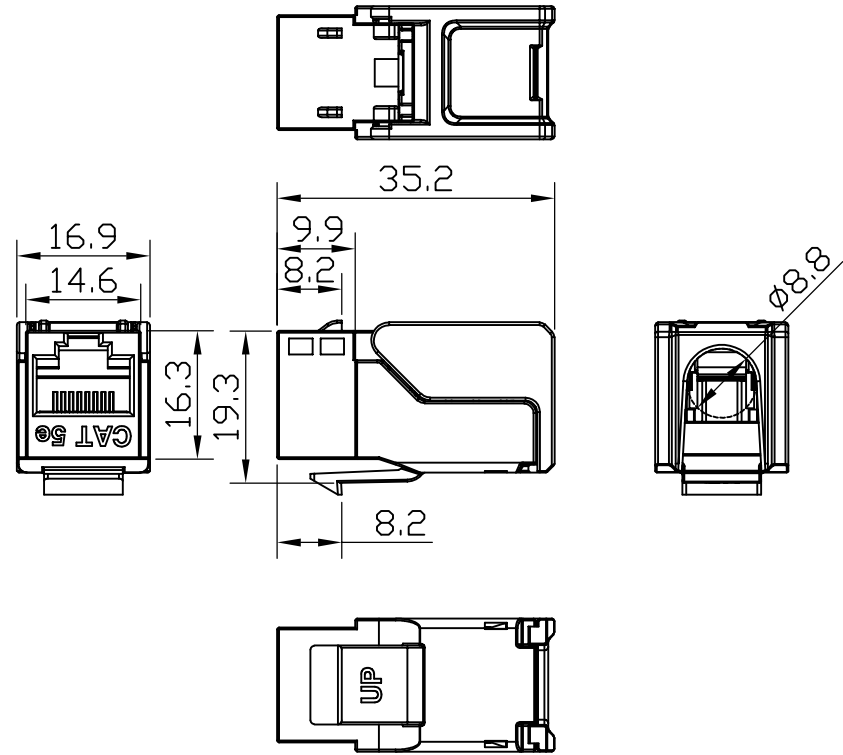
**TRANSMISSION PERFORMANCE**  
Meet all requirements specified in connecting hardware requirement of:  
ANSI/TIA-568-C.2, Category 5e

**ELECTRICAL**  
Electrical Insulation Resistance : 500 MΩ min. @ 100V d.c  
Dielectric Withstanding Voltage : 1000V d.c. or a.c. Peak Contact to Contact @ 60Hz for 1 minute

**MECHANICAL**  
Insertion / Extraction Life : 750 Cycles Minimum  
IDC Wire Gauge : 22 ~ 24 AWG

**PHYSICAL**  
Housing : High-Impact, Flame-Retardant Plastic, UL 94V-0  
Spring Wire : Phosphor Bronze Alloy Plated With 50 micro-inch of Gold  
IDC : Phosphor Bronze Alloy With 100 micro-inch 100% Sn Alloy

### ASSEMBLY DIMENSION



COMPONENTS		
5	WIRING LABEL	2
4	IDC MODULE	1
3	WIRE CAP	1
2	INSERT MODULE	1
1	JACK HOUSING	1
ITEM	DISCRIPTION	Q'TY

SS-82000-005
PART NUMBER



THIRD ANGLE PROJECTION

DO NOT SCALE DRAWING  
DRAWING IS SUBJECT TO CHANGE WITHOUT NOTICE

DIMENSIONS: METRIC

UNLESS OTHERWISE SPECIFIED TOLERANCES ARE ±0.2 ANGLES ARE ± 1°

SHEET NO. 1 OF 1

206 Van Vorst Street  
Jersey City, NJ 07302  
+1 201 432 0463  
<http://www.belfuse.com>

**CAT 5e UNSHIELDED TOOL-LESS KEYSTONE JACK**

DRN BY: DG	DATE 03/06/18
APPD BY: TM	DATE 03/08/18
DWG NO. CT820021	REV. A0

THIS DRAWING AND THE SUBJECT MATTER SHOWN THEREON ARE CONFIDENTIAL AND THE PROPRIETARY PROPERTY OF BEL FUSE, INC. AND SHALL NOT BE REPRODUCED, COPIED, OR USED IN ANY MANNER WITHOUT PRIOR WRITTEN CONSENT OF BEL FUSE, INC.