



Chipsmall Limited consists of a professional team with an average of over 10 year of expertise in the distribution of electronic components. Based in Hongkong, we have already established firm and mutual-benefit business relationships with customers from,Europe,America and south Asia,supplying obsolete and hard-to-find components to meet their specific needs.

With the principle of “Quality Parts,Customers Priority,Honest Operation,and Considerate Service”,our business mainly focus on the distribution of electronic components. Line cards we deal with include Microchip,ALPS,ROHM,Xilinx,Pulse,ON,Everlight and Freescale. Main products comprise IC,Modules,Potentiometer,IC Socket,Relay,Connector.Our parts cover such applications as commercial,industrial, and automotives areas.

We are looking forward to setting up business relationship with you and hope to provide you with the best service and solution. Let us make a better world for our industry!



## Contact us

Tel: +86-755-8981 8866 Fax: +86-755-8427 6832

Email & Skype: info@chipsmall.com Web: www.chipsmall.com

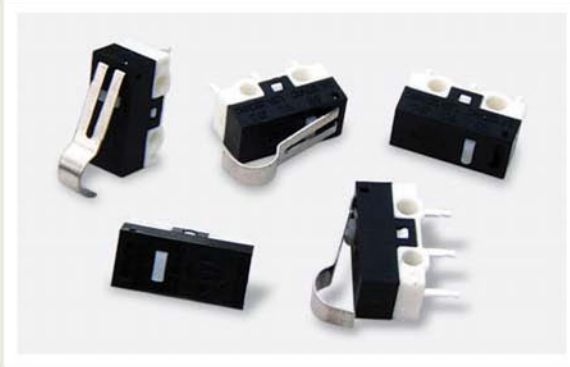
Address: A1208, Overseas Decoration Building, #122 Zhenhua RD., Futian, Shenzhen, China





# SERIES SS SWITCHES

## SNAP ACTION SWITCHES - SUB-MINIATURE



### SPECIFICATIONS

Contact Rating: Gold .4VA max. @ 20 VDC or VAC Max.  
 0.1 Amps @ 5 VDC  
 1.5 Amps @ 250-UL  
 3 Amps @ 125-UL

Life Expectancy: 10,000 cycles typical

Mechanical Life: 1,000,000 cycles typical

Insulation Resistance: 100 MΩ min. @ 500V DC

Dielectric Strength: 500VDC

Operating Temperature: -25° C to 75°

Operating Force: See Chart

### MATERIALS

Switch Housing: High Temperature PBT (UL94 V-0)

Actuator Button: High Temperature PBT (UL94 V-0)

Terminals: Copper Alloy, plated

Contacts: Silver Alloy (std) or Gold

Spring: Spring Steel

### FEATURES & BENEFITS

- ▶ Subminiature package size
- ▶ Designed for higher reliability applications

### APPLICATIONS/MARKETS

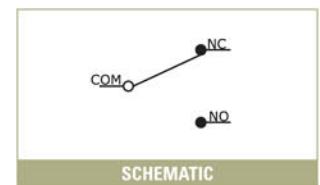
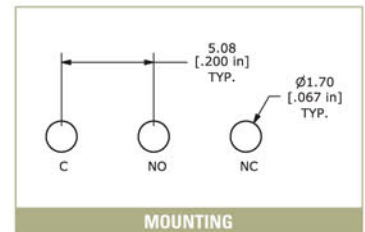
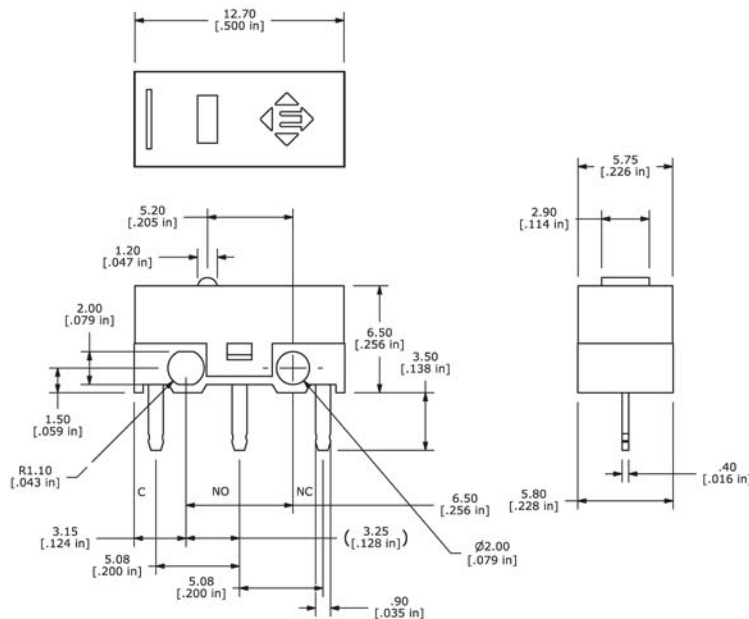
- ▶ Appliance
- ▶ Timing controls
- ▶ Vending machines
- ▶ Gaming
- ▶ Industrial controls

### HOW TO ORDER

SERIES	OPERATING TEMP.	CURRENT RATING	ACTUATOR	OPERATING FORCE	TERMINATION	CIRCUIT
SS	075 = 75C	03 = 3A, 125VAC 1.5A, 250VAC Q1= 0.1A, 125VAC R1=0.4VA	00 01 02 03	See Chart	P1 = PCB Pins R1 = PCB Retention V1 = PCB Right Angle V2 = PCB Left Angle S1 = Solder Lug	A = SPDT

Example Ordering Number  
 SS-075-03-01-F030-P1-A

Specifications subject to change without notice.





# SERIES SS SWITCHES

## SNAP ACTION SWITCHES - SUB-MINIATURE

TACT SWITCHES

NAVIGATION SWITCHES

PUSHBUTTON SWITCHES

TOGGLE SWITCHES

ROCKER SWITCHES

SLIDE SWITCHES

**SNAP-ACTION SWITCHES**

DIP SWITCHES

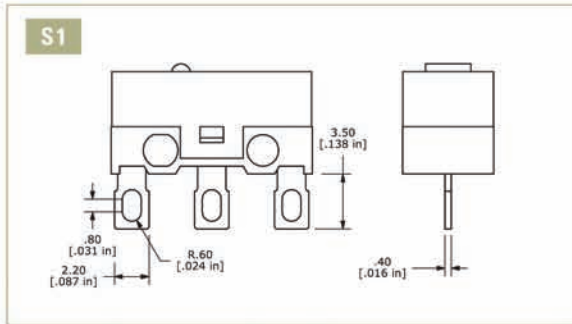
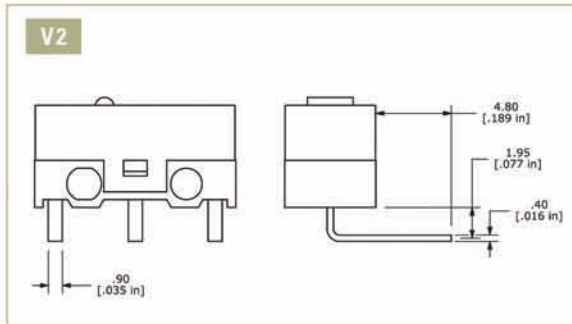
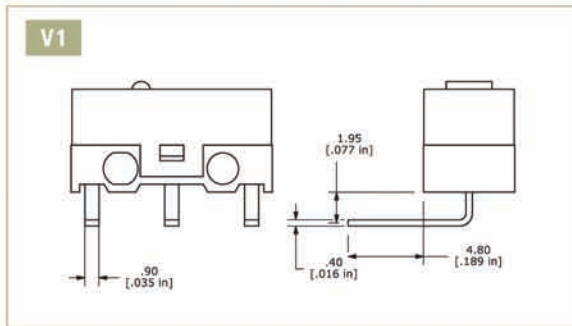
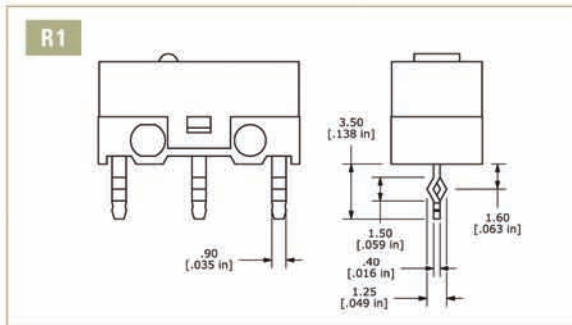
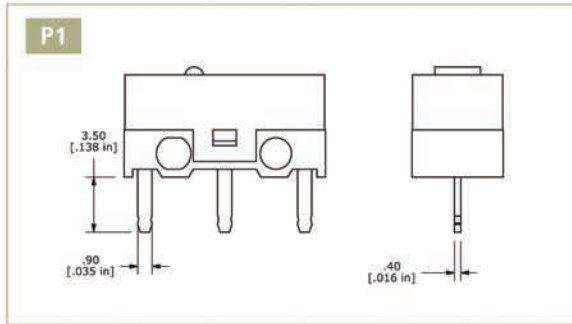
KEYLOCK SWITCHES

ROTARY SWITCHES

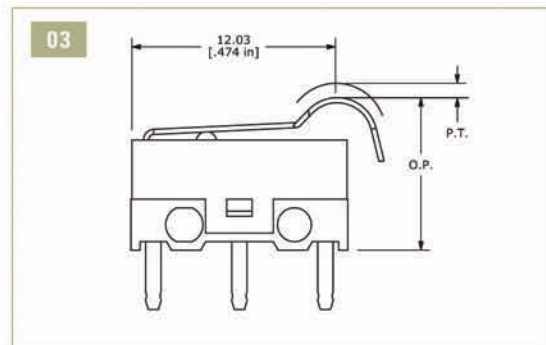
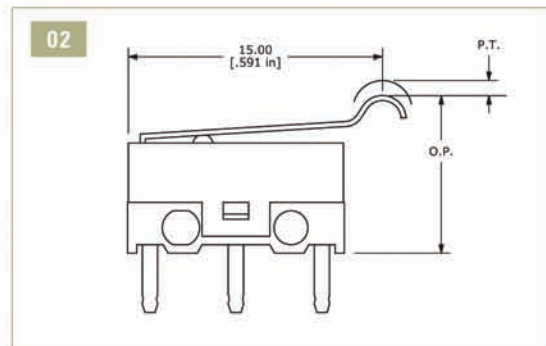
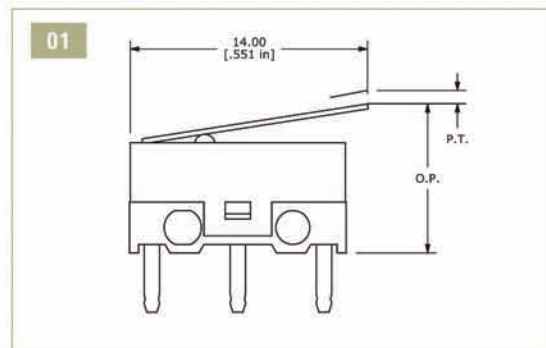
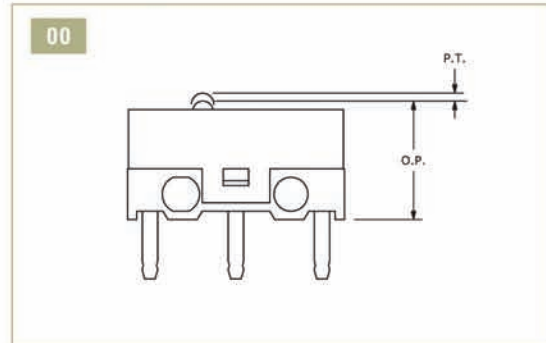
DETECTOR SWITCHES

CAP. OPTIONS

### TERMINATION OPTIONS



### ACTUATOR OPTIONS



PT= Pretravel OP= Operating Point

ACTUATOR AND OPERATING FORCE CHART						
Actuator	Actuation/Return Force				Pre-Travel	Operating Point
00	070 / 25	090 / 40	110 / 50	130 / 60	0.35 Max	7.0 ± 0.2
01	020 / 5	030 / 10	035 / 10	040 / 15	1.60 Max	8.80 ± 0.8
02	015 / 5	025 / 10	030 / 10	035 / 10	2.00 Max	10.80 ± 0.8
03	020 / 5	030 / 10	040 / 15	050 / 15	1.35 Max	9.65 ± 0.8