



Chipsmall Limited consists of a professional team with an average of over 10 year of expertise in the distribution of electronic components. Based in Hongkong, we have already established firm and mutual-benefit business relationships with customers from,Europe,America and south Asia,supplying obsolete and hard-to-find components to meet their specific needs.

With the principle of “Quality Parts,Customers Priority,Honest Operation,and Considerate Service”,our business mainly focus on the distribution of electronic components. Line cards we deal with include Microchip,ALPS,ROHM,Xilinx,Pulse,ON,Everlight and Freescale. Main products comprise IC,Modules,Potentiometer,IC Socket,Relay,Connector.Our parts cover such applications as commercial,industrial, and automotives areas.

We are looking forward to setting up business relationship with you and hope to provide you with the best service and solution. Let us make a better world for our industry!



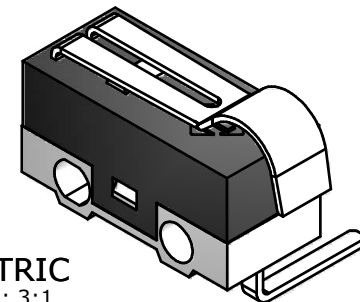
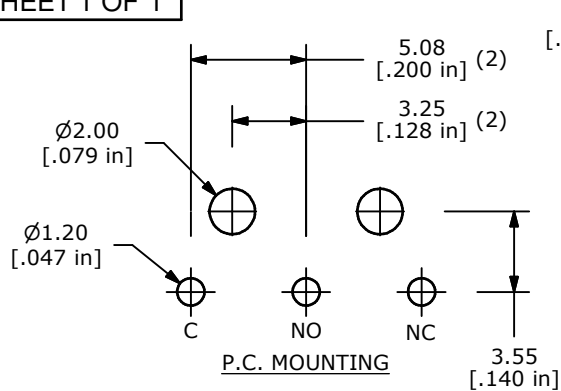
Contact us

Tel: +86-755-8981 8866 Fax: +86-755-8427 6832

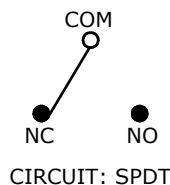
Email & Skype: info@chipsmall.com Web: www.chipsmall.com

Address: A1208, Overseas Decoration Building, #122 Zhenhua RD., Futian, Shenzhen, China



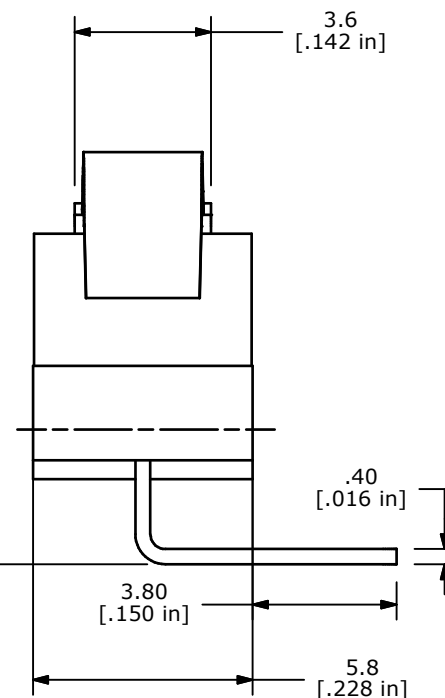
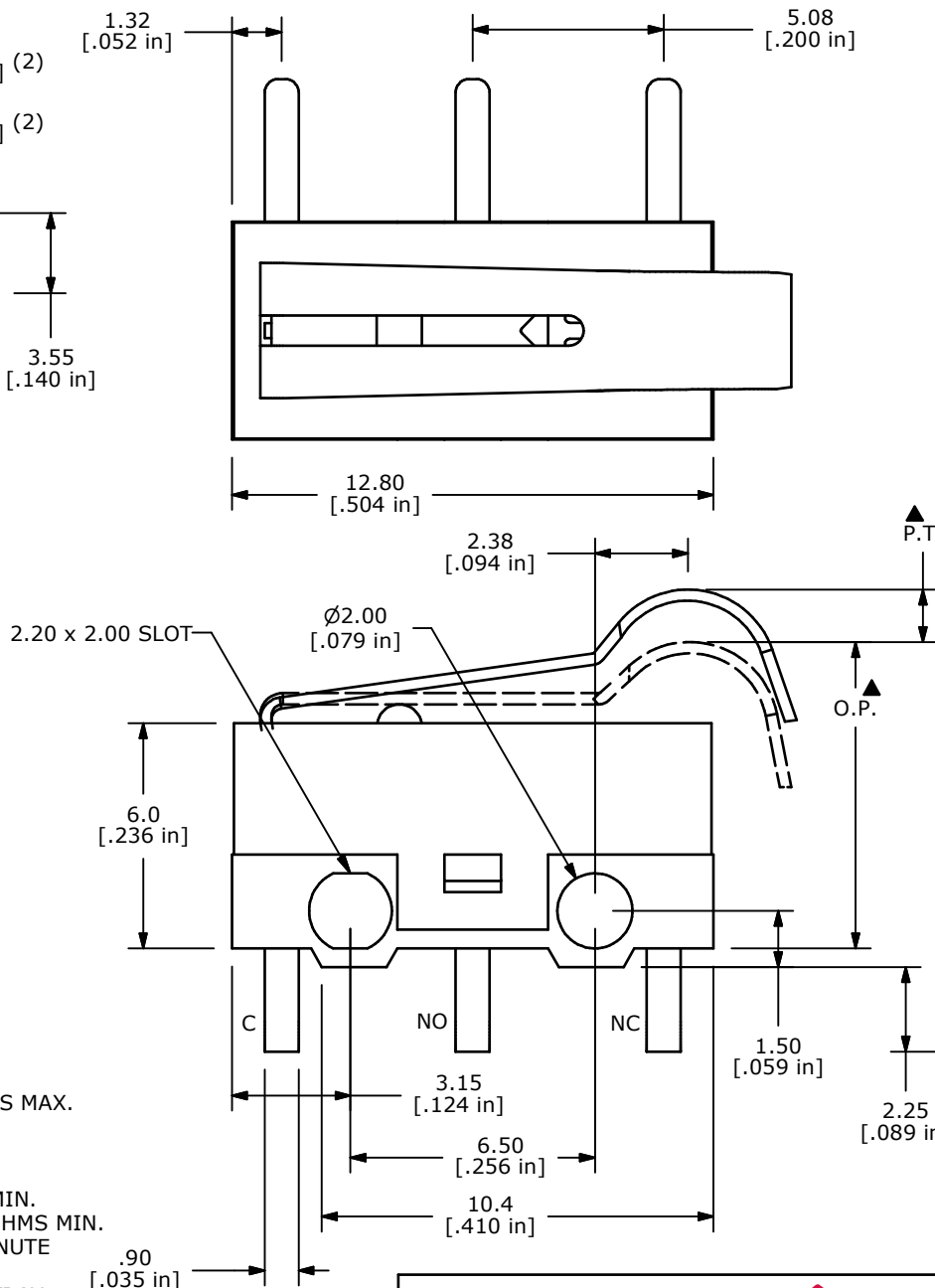


ISOMETRIC
SCALE: 3:1



O.P. (MM)	P.T. (MM)
9.65 ± 0.8	1.35 NOM.

O.P. = OPERATING POINT
P.T. = PRE-TRAVEL



NOTES:

1. ALL DIMENSIONS IN MM [INCH]
2. GENERAL TOLERANCE: X.X=±0.4
X.XX=±0.25
- ▲ 3. RATING: 0.1A @ 5VDC
4. CONTACT RESISTANCE: 100 MILLI-OHMS MAX.
- ▲ 5. OPERATING FORCE: 30 ± 10 GRAMS
6. OPERATING TEMP: -25°C TO 75°C
7. ELECTRICAL LIFE: 10,000 CYCLES MIN.
8. MECHANICAL LIFE: 1,000,000 CYCLES MIN.
9. INSULATION RESISTANCE: 100 MEGA-OHMS MIN.
10. DIELECTRIC STRENGTH: 500VAC - 1 MINUTE
11. ▲ DENOTES CRITICAL PARAMETER.
12. PACKAGED IN TRAYS, 120 PIECES PER TRAY.
13. 2002/95/EC (ROHS) COMPLIANT



TITLE SS075Q103F030V2A

A	18309	RELEASE FOR PRODUCTION	11/10/08	BLR
REV	PCR NO	DESCRIPTION	DATE	BY

SCALE	DATE	DR	DWG	REV
4:1	11/10/2008	BLR	Q971023	A

THE INFORMATION CONTAINED IN THIS DOCUMENT IS PROPRIETARY TO E-SWITCH AND IS NOT TO BE COPIED OR TRANSFERRED