



Chipsmall Limited consists of a professional team with an average of over 10 year of expertise in the distribution of electronic components. Based in Hongkong, we have already established firm and mutual-benefit business relationships with customers from,Europe,America and south Asia,supplying obsolete and hard-to-find components to meet their specific needs.

With the principle of “Quality Parts,Customers Priority,Honest Operation,and Considerate Service”,our business mainly focus on the distribution of electronic components. Line cards we deal with include Microchip,ALPS,ROHM,Xilinx,Pulse,ON,Everlight and Freescale. Main products comprise IC,Modules,Potentiometer,IC Socket,Relay,Connector.Our parts cover such applications as commercial,industrial, and automotives areas.

We are looking forward to setting up business relationship with you and hope to provide you with the best service and solution. Let us make a better world for our industry!



Contact us

Tel: +86-755-8981 8866 Fax: +86-755-8427 6832

Email & Skype: info@chipsmall.com Web: www.chipsmall.com

Address: A1208, Overseas Decoration Building, #122 Zhenhua RD., Futian, Shenzhen, China



INTERCONNECTS

SERIES 349, 449, 800, 801, 802, 803 • .100" GRID (.030" DIA. PINS), SURFACE MOUNT HEADERS & SOCKETS • SINGLE AND DOUBLE ROW STRIPS

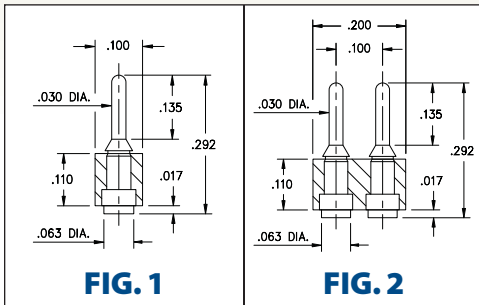


FIG. 1

FIG. 2

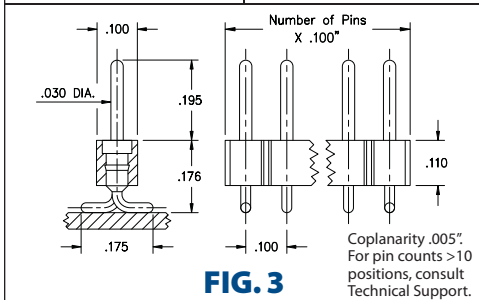


FIG. 3

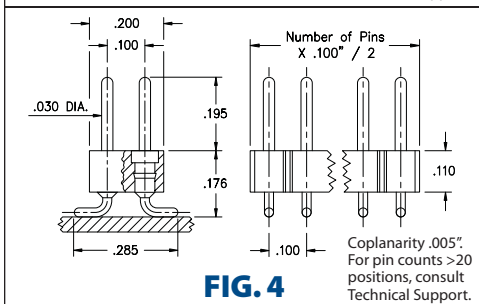


FIG. 4

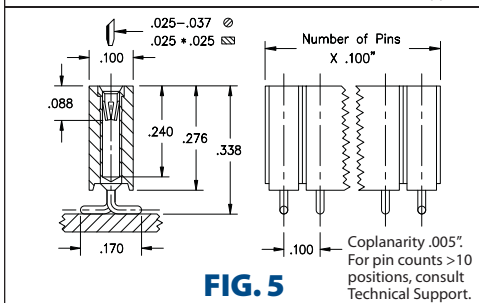


FIG. 5

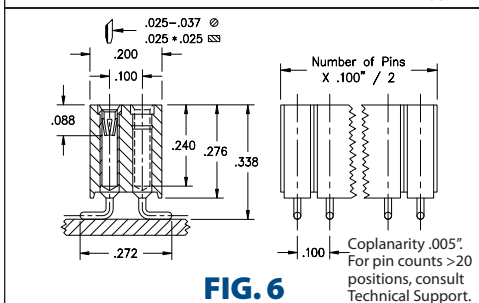
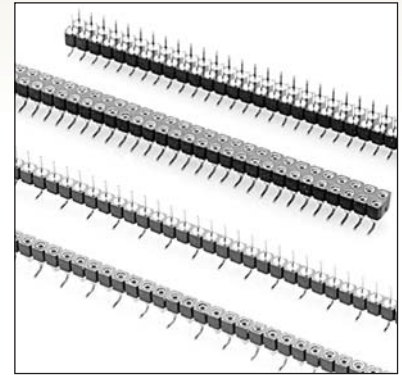


FIG. 6

- Series 349 & 449 use MM #4956-1 pins. See page 218 for details
- Series 800 & 802 use MM #7007 pins. See page 215 for details
- Series 801 & 803 use MM #1304 receptacles and accept pin diameters from .025"-.037" and .025" square pins. See page 177 for details
- Receptacles use Hi-Rel, 6-finger BeCu #47 contact rated at 4.5 amps. See page 256 for details
- Insulators are high temperature thermoplastic, suitable for all soldering operations



ORDERING INFORMATION

FIG. 1	Series 349...560	Single Row Surface Mount Header	349-10-1__-00-560000
	Specify number of pins		02-64
FIG. 2	Series 449...560	Double Row Surface Mount Header	449-10-2__-00-560000
	Specify number of pins		04-64
FIG. 3	Series 800...001	Single Row Surface Mount Header	800-10-0__-30-001000
	Specify number of pins		03-64
FIG. 4	Series 802...001	Double Row Surface Mount Header	802-10-0__-30-001000
	Specify number of pins		04-72
SPECIFY PLATING CODE XX=		10	◆
Pin Plating		10 μ" Au	
FIG. 5	Series 801...001	Single Row Surface Mount Socket	801-43-0__-30-001000
	Specify number of pins		03-50
FIG. 6	Series 803...001	Double Row Surface Mount Socket	803-XX-__-30-001000
	Specify number of pins		004-100
SPECIFY PLATING CODE XX=		93	◆
Sleeve (Pin)		200 μ" Sn/Pb	200 μ" Sn
Contact (Clip)		30 μ" Au	30 μ" Au

