



Chipsmall Limited consists of a professional team with an average of over 10 year of expertise in the distribution of electronic components. Based in Hongkong, we have already established firm and mutual-benefit business relationships with customers from,Europe,America and south Asia,supplying obsolete and hard-to-find components to meet their specific needs.

With the principle of "Quality Parts,Customers Priority,Honest Operation,and Considerate Service",our business mainly focus on the distribution of electronic components. Line cards we deal with include Microchip,ALPS,ROHM,Xilinx,Pulse,ON,Everlight and Freescale. Main products comprise IC,Modules,Potentiometer,IC Socket,Relay,Connector.Our parts cover such applications as commercial,industrial, and automotives areas.

We are looking forward to setting up business relationship with you and hope to provide you with the best service and solution. Let us make a better world for our industry!



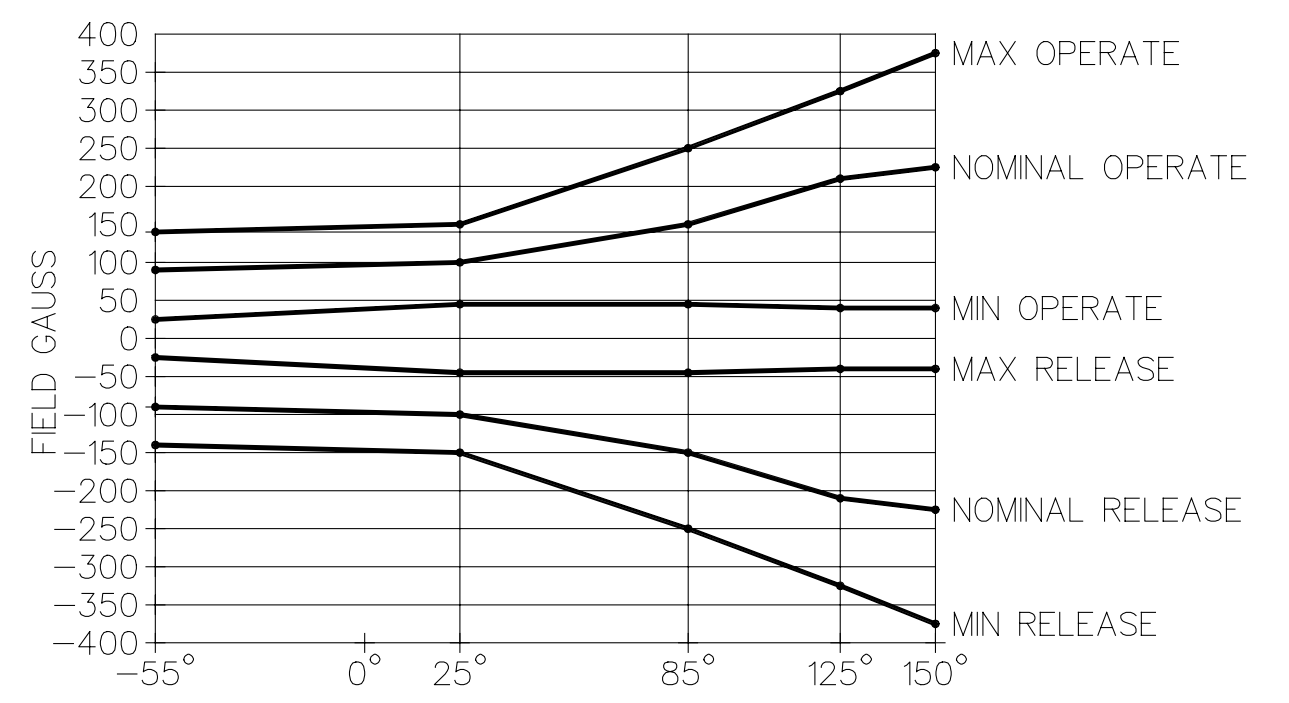
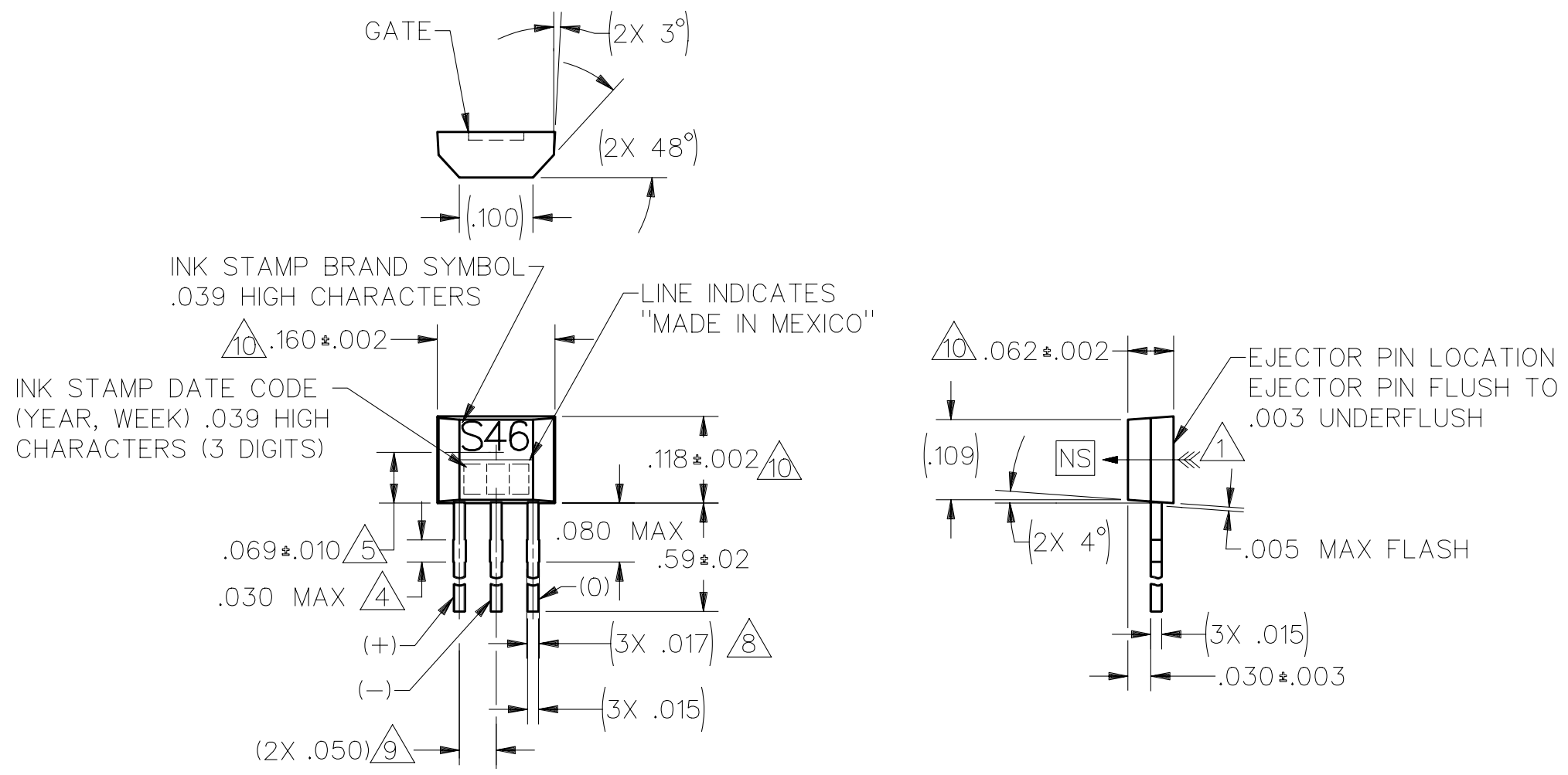
Contact us

Tel: +86-755-8981 8866 Fax: +86-755-8427 6832

Email & Skype: info@chipsmall.com Web: www.chipsmall.com

Address: A1208, Overseas Decoration Building, #122 Zhenhua RD., Futian, Shenzhen, China





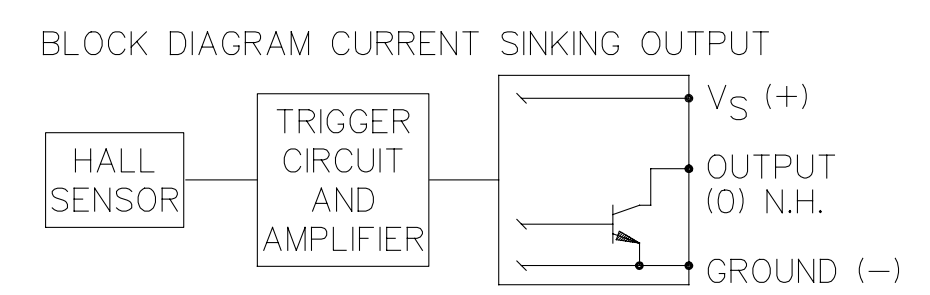
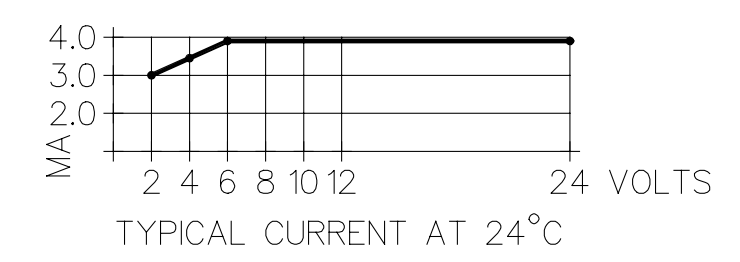
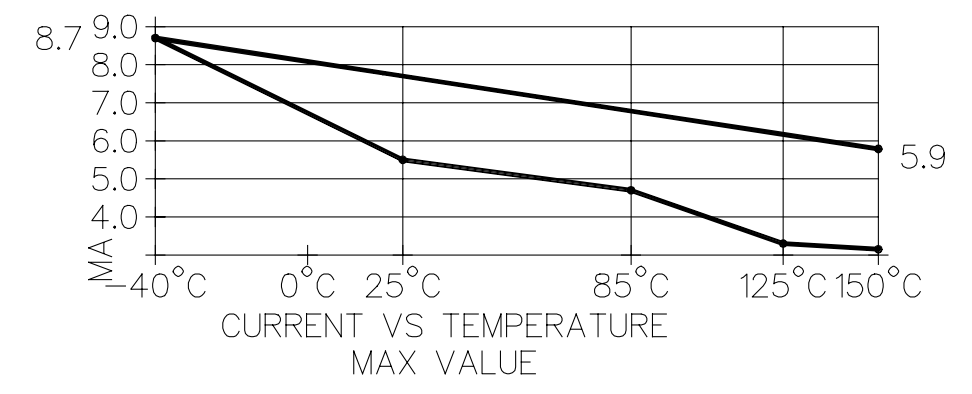
		DATA POINTS				
		-55°	25°	85°	125°	150°
OPERATE	MAX	140	150	250	325	375
	NOM	90	100	150	210	225
	MIN	25	45	45	40	40
RELEASE	MAX	-25	-45	-45	-40	-40
	NOM	-90	-100	-150	-210	-225
	MIN	-140	-150	-250	-325	-375

MAGNETIC CHARACTERISTICS /2/			
TEMPERATURE RANGE	0°C TO +85°C	-40°C TO +125°C	-55°C TO +150°C
OPERATING GAUSS MAXIMUM	250	325	375
OPERATING GAUSS MINIMUM	40	25	25
RELEASE GAUSS MINIMUM	-250	-325	-375
RELEASE GAUSS MAXIMUM	-40	-25	-25

ELECTRICAL CHARACTERISTICS -40 TO 125°C 4.5 TO 24 VDC -55°C TO 150°C			
	MAX AT 25°C	MAXIMUM	MAXIMUM
SUPPLY CURRENT		8.7 mA	9.0 mA
OUTPUT VOLTAGE (ON) (SINKING 10 mA)		.4 VOLTS /8/	.4 VOLTS
VOLTAGE APPLIED TO OUTPUT (OFF)		24 VOLTS	24 VOLTS
OUTPUT CURRENT		10 mA	10 mA
OUTPUT LEAKAGE CURRENT (OFF)		10 μA	10 μA
OUTPUT SWITCHING TIME			
RISE TIME (10% TO 90%)		1.5 μS	1.5 μS
FALL TIME (90% TO 10%)		1.5 μS	1.5 μS

ABSOLUTE MAXIMUM RATINGS /3/	
TEMPERATURE	-55°C TO +170°C
SUPPLY VOLTAGE	-28 VDC TO 28 VDC
VOLTAGE EXTERNALLY APPLIED TO OUTPUT	28 VDC WITH SWITCH IN OFF COND. ONLY -0.5 VDC WITH SWITCH IN ON OR OFF COND.
OUTPUT CURRENT	20 mA
MAGNETIC FLUX	NO LIMIT

- NOTES
- THE MAGNETIC FLUX USED TO OPERATE THE SWITCH MUST BE IN THE DIRECTION AND LOCATION SHOWN (THIS ASSUMES THE CONVENTION THAT THE DIRECTION OF THE EXTERNAL FLUX OF A MAGNET IS FROM THE NORTH TO THE SOUTH POLE OF THE MAGNET)
 - THE MAGNETIC FIELD STRENGTH (GAUSS) REQUIRED TO CAUSE THE SWITCH TO CHANGE STATE (OPERATE AND RELEASE) WILL BE AS SPECIFIED IN THE MAGNETIC CHARACTERISTICS. TO TEST THE SWITCH AGAINST THE SPECIFIED MAGNETIC CHARACTERISTICS, THE SWITCH MUST BE PLACED IN A UNIFORM MAGNETIC FIELD
 - ABSOLUTE MAXIMUM RATINGS ARE THE EXTREME LIMITS THAT THE DEVICE WILL WITHSTAND WITHOUT DAMAGE TO THE DEVICE. HOWEVER, THE ELECTRICAL AND MAGNETIC CHARACTERISTICS ARE NOT GUARANTEED AS THE MAXIMUM LIMITS (ABOVE RECOMMENDED OPERATING CONDITIONS) ARE APPROACHED, NOR WILL THE DEVICE NECESSARILY OPERATE AT ABSOLUTE MAXIMUM RATING
 - DIMENSIONS NOTED ARE DUE TO TIE BAR REMOVAL OPERATION AND ARE VALID ONLY IN TIE BAR AREA LOCATED WITHIN .080 DIMENSION
 - HALL EFFECT LOCATION WITH INTEGRATED CIRCUIT PLACEMENT TOLERANCE
 - LEADS MUST BE ADEQUATELY SUPPORTED DURING ANY FORMING/SHEARING OPERATION TO ENSURE THAT THE LEADS ARE NOT STRESSED INSIDE THE PLASTIC
 - PCB WAVE SOLDERING GUIDELINES ARE AS FOLLOWS:
250°C TO 260° SOLDERING TEMPERATURE 3 SECONDS MAXIMUM SOLDERING TIME
 - BURRS ARE ALLOWED ONLY IF FULL LENGTH OF LEADS WILL PASS THROUGH Ø.023 HOLE. LEAD REFERENCE DIMENSIONS DO NOT INCLUDE SOLDER THICKNESS
 - DIMENSION REFERS TO THE LOCATION OF LEAD CENTERLINES AS THEY EXIT THE PLASTIC PACKAGE
 - MOLDED PART DIMENSIONS DO NOT INCLUDE FLASH. FLASH IS LIMITED TO .005 MAX



THIRD ANGLE PROJECTION	
SCALE	5 : 1
DO NOT SCALE PRINT	
UNLESS OTHERWISE SPECIFIED TOLERANCES ARE	
ONE PLACE	(.0) ±.030
TWO PLACES	(.00) ±.015
THREE PLACES	(.000) ±.005
ANGLES	±
WEIGHT	

THIS DRAWING COVERS A PROPRIETARY ITEM AND IS THE PROPERTY OF MICRO SWITCH. A DIVISION OF HONEYWELL. THIS DRAWING IS NOT TO BE COPIED OR USED WITHOUT THE APPROVAL OF MICRO SWITCH.

MICRO SWITCH
a Honeywell Division

SOLID STATE SWITCH

CATALOG LISTING
SS46

FED. MFG. CODE 91929

MASTER REDUCED
ANSI Y14.5M-1982 APPLIES

DRAWING NUMBER SS46
 ISSUE 11
 PAGE 1 OF 1
 RELEASE NO. DR-3687
 REPLACES X84855-SS
 REVISIONS
 A OBS DWG 60751474
 3 FEB 94
 B RE IN 080195
 26 MAY 95
 C 92859
 7 APR 98
 CHECK D L W 19JAN87
 CHECK K A G 19JAN87
 CHECK J A S 19NOV90
 DDM/CAD DRAWN
 J A S 19NOV90