



Chipsmall Limited consists of a professional team with an average of over 10 year of expertise in the distribution of electronic components. Based in Hongkong, we have already established firm and mutual-benefit business relationships with customers from,Europe,America and south Asia,supplying obsolete and hard-to-find components to meet their specific needs.

With the principle of “Quality Parts,Customers Priority,Honest Operation,and Considerate Service”,our business mainly focus on the distribution of electronic components. Line cards we deal with include Microchip,ALPS,ROHM,Xilinx,Pulse,ON,Everlight and Freescale. Main products comprise IC,Modules,Potentiometer,IC Socket,Relay,Connector.Our parts cover such applications as commercial,industrial, and automotives areas.

We are looking forward to setting up business relationship with you and hope to provide you with the best service and solution. Let us make a better world for our industry!



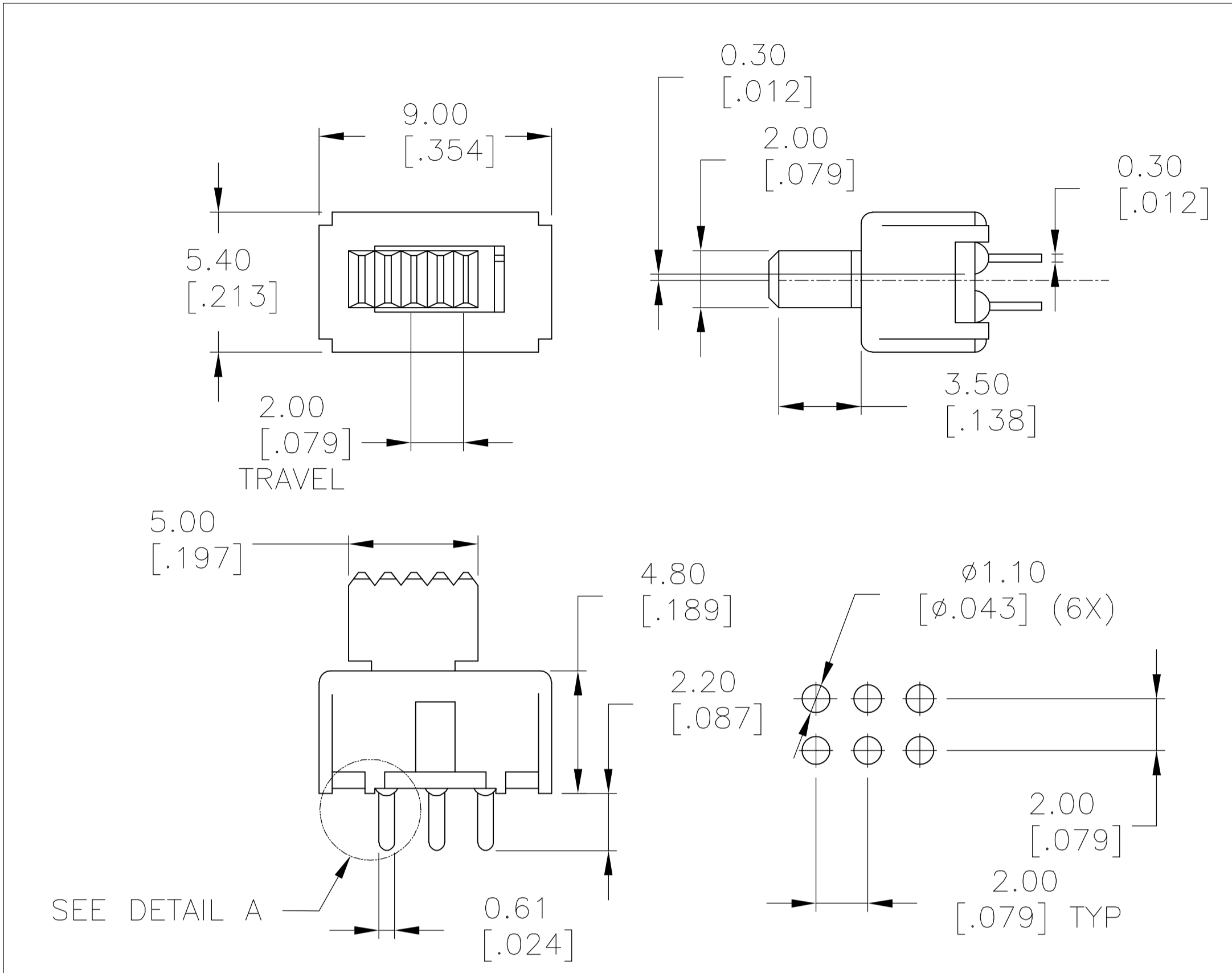
Contact us

Tel: +86-755-8981 8866 Fax: +86-755-8427 6832

Email & Skype: info@chipsmall.com Web: www.chipsmall.com

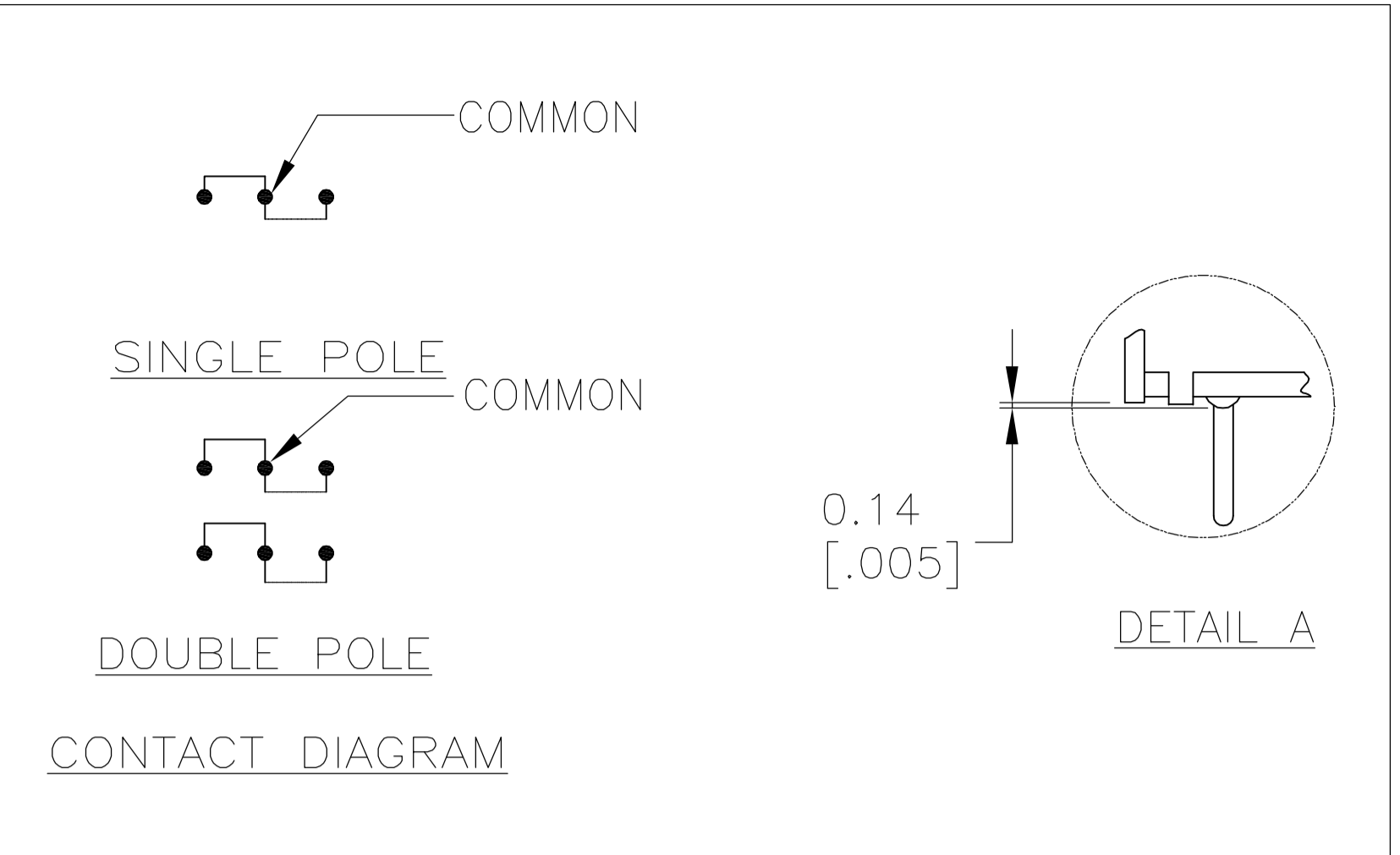
Address: A1208, Overseas Decoration Building, #122 Zhenhua RD., Futian, Shenzhen, China





RECOMMENDED HOLE LAYOUT
 TOLERANCE ± 0.002 UNLESS OTHERWISE NOTED

SSB 22



- NOTES:
- ALL MATERIALS AND FINISHES SHALL COMPLY WITH EU DIRECTIVE 2002/95/EC OF 27JAN2003 (ROHS).
 - SEE SHEET 2 OF 2 FOR SSB42 AND SSB**R PART NUMBERS.

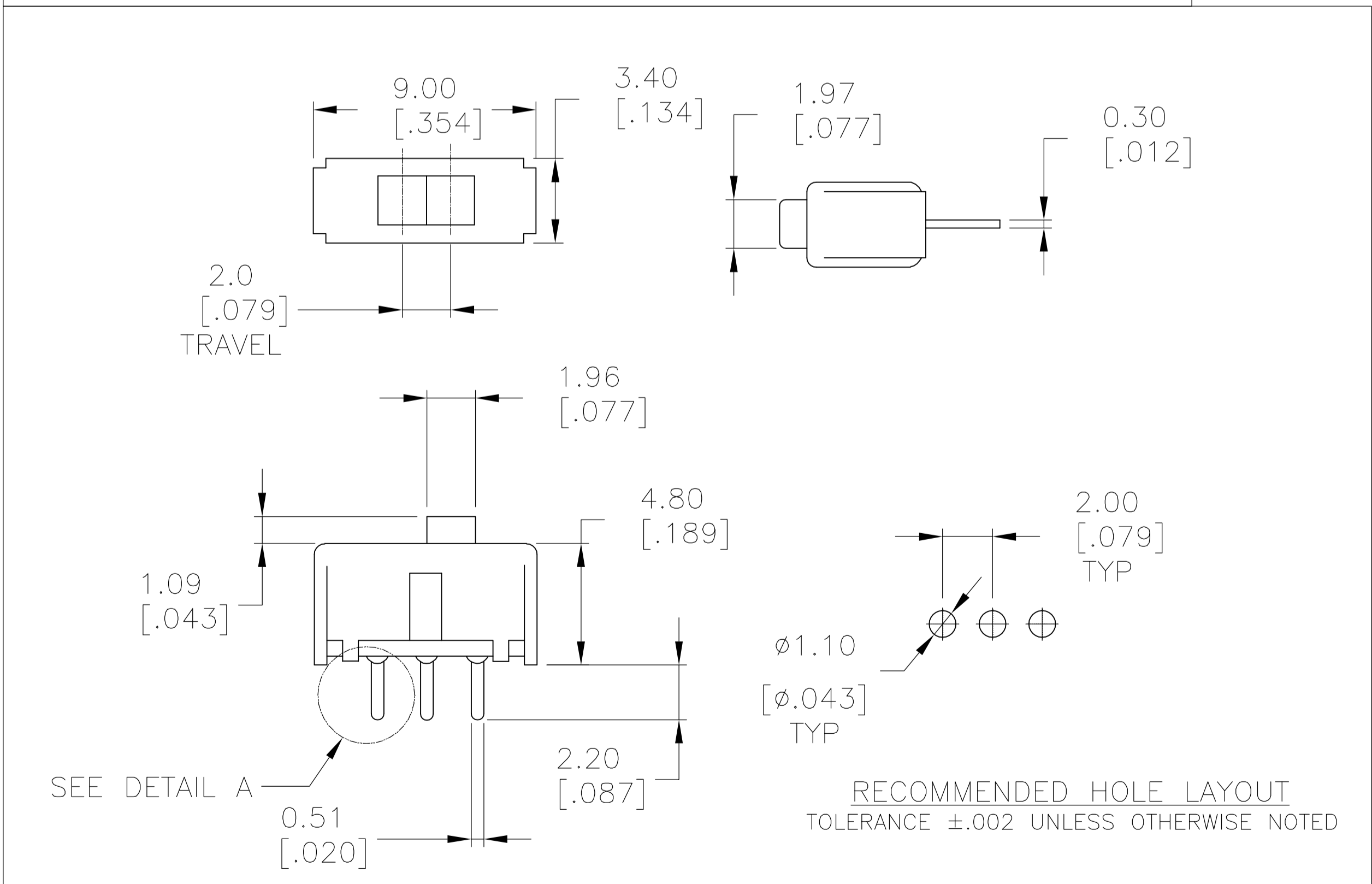
SPECIFICATIONS:
 MAKE BEFORE BREAK

MATERIALS:
 FRAME, STEEL-PLATE TIN OVER NICKEL
 TERMINAL BOARD, PHENOLIC, NATURAL
 ACTUATOR, POM, UL94-HB, BLACK
 MOVING CONTACT, COPPER ALLOY-PLATE SILVER OR GOLD OVER NICKEL
 FIXED CONTACT/TERMINAL, COPPER ALLOY-PLATE SILVER OR GOLD OVER NICKEL

ELECTRICAL:
 CONTACT RATING, (SILVER) 100mA@30VDC, (GOLD) .4VA @ 20V DC
 INITIAL CONTACT RESISTANCE, 30 MILLIOHMS MAX
 FINAL CONTACT RESISTANCE, 100 MILLIOHMS MAX
 INSULATION RESISTANCE, 100 MEGOHMS MIN.
 DIELECTRIC STRENGTH, 500 V AC for 1 MINUTE

MECHANICAL:
 ACTUATION FORCE, 250 +/-150 GRAMS
 ACTUATION TRAVEL, .079
 LIFE EXPECTANCY, 10,000 CYCLES

ENVIRONMENTAL:
 OPERATING TEMPERATURE, -20 to +85 DEGREES C
 STORAGE TEMPERATURE, -40 to +100 DEGREES C
 HUMIDITY AND TEMPERATURE CYCLING PER EIA-364-31B, METHOD III (SILVER)
 MIXED FLOWING GAS PER EIA-364-65A, CLASS IIIA, 20 DAYS (GOLD)
 THERMAL SHOCK, PER EIA-364-32C, -40 to +100 DEGREES C
 SOLDERABILITY, PER EIA-364-52, CLASS 2, CATEGORY 1, 95% MINIMUM COVERAGE
 RESISTANCE TO SOLDER HEAT,
 PER 109-202, CONDITION B (240 +/-5 C FOR 10 +2/-0 SECONDS)



RECOMMENDED HOLE LAYOUT
 TOLERANCE ± 0.002 UNLESS OTHERWISE NOTED

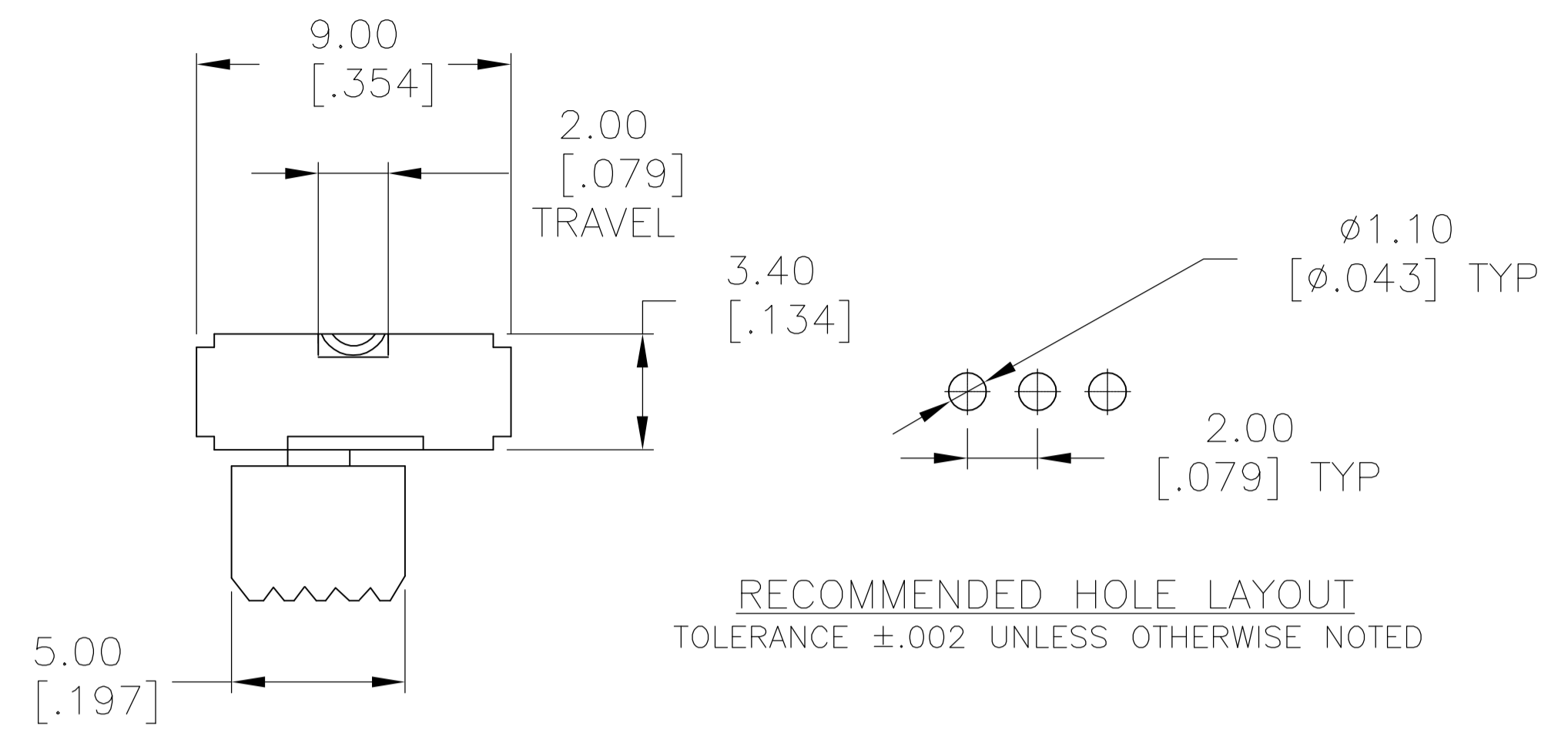
SSB - 12

1 2 3 4 5 6 7 8 9 10 11 12	1 2 3 4 5 6 7 8 9 10 11 12				
1-2, 4-5 7-8, 10-11	2-3, 5-6 8-9, 11-12	GOLD	4PDT	SSB42G	2-1437575-9
1-2, 4-5 7-8, 10-11	2-3, 5-6 8-9, 11-12	SILVER	4PDT	SSB42	2-1437575-8
1 2 3 4 5 6	1 2 3 4 5 6				
1-2, 4-5 1-2, 4-5	2-3, 5-6 2-3, 5-6	GOLD SILVER	DPDT DPDT	SSB22RG SSB22R	2-1437575-5 2-1437575-4
1 2 3 4 5 6	1 2 3 4 5 6				
1-2, 4-5 1-2, 4-5	2-3, 5-6 2-3, 5-6	GOLD SILVER	DPDT DPDT	SSB22G SSB22	2-1437575-3 2-1437575-2
1 2 3	1 2 3				
1-2 1-2	2-3 2-3	GOLD SILVER	SPDT SPDT	SSB12RG SSB12R	2-1437575-1 2-1437575-0
1 2 3	1 2 3				
1-2 1-2	2-3 2-3	GOLD SILVER	SPDT SPDT	SSB12G SSB12	1-1437575-9 1-1437575-8
LEFT	RIGHT	PLATING	TYPE	ALCO P/N	TYCO P/N

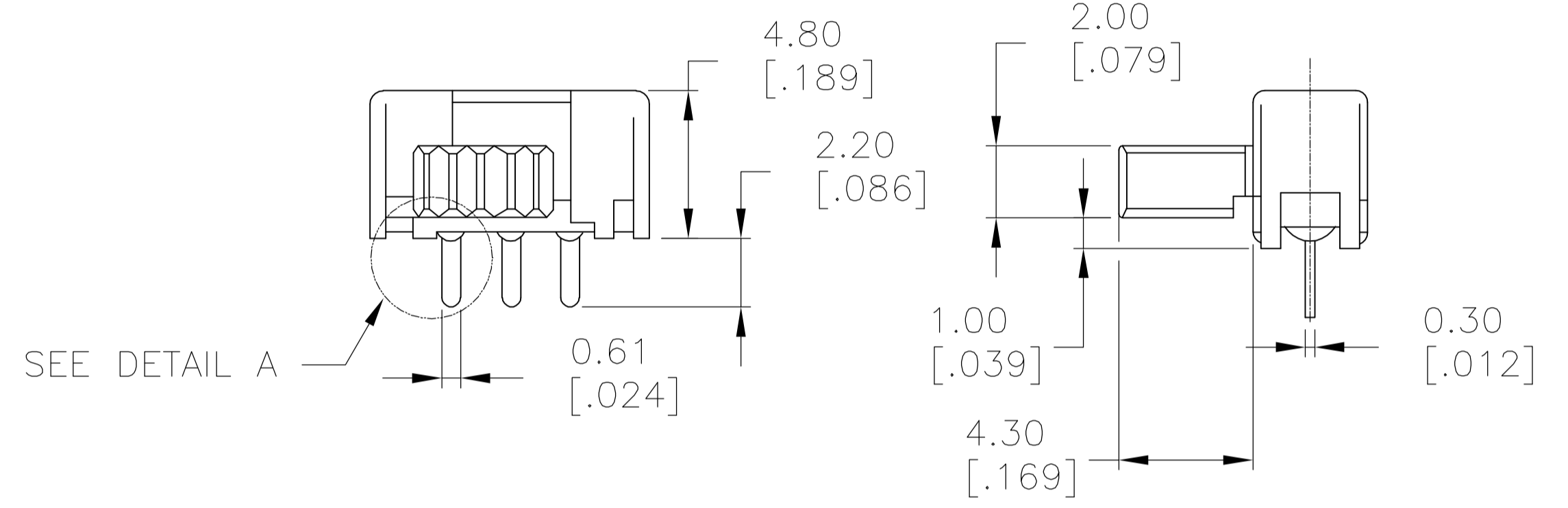
THIS DRAWING IS A CONTROLLED DOCUMENT. **tyco Electronics** Tyco Electronics Corporation, Harrisburg, Pa 17105-3608

DIMENSIONS: mm [INCHES]	TOLERANCES UNLESS OTHERWISE SPECIFIED:	0 PLC \pm -	1 PLC \pm -	2 PLC \pm 0.25[.010]	3 PLC \pm -	4 PLC \pm -	ANGLES \pm 1'
MATERIAL: SEE ABOVE	FINISH: -	WEIGHT: -	SIZE: A1	CAGE CODE: 00779	DRAWING NO: 2-1437575-3	RESTRICTED TO: -	CUSTOMER DRAWING

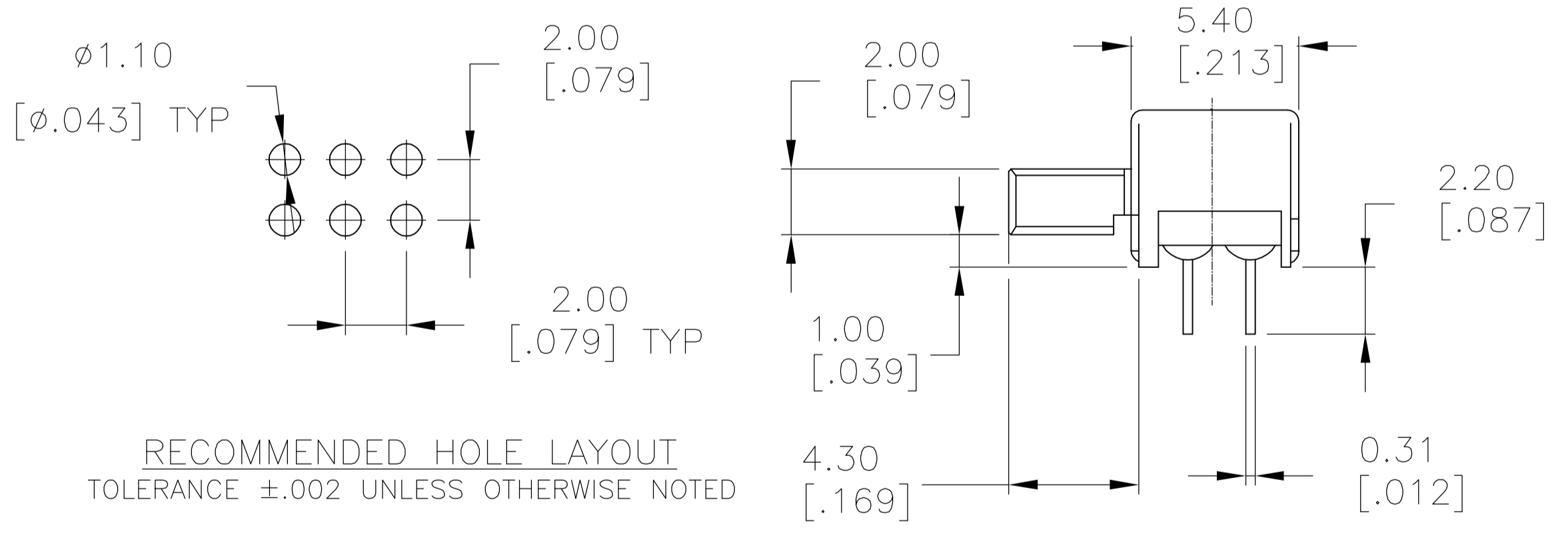
SCALE: 6:1 SHEET 1 OF 2 REV B



RECOMMENDED HOLE LAYOUT
 TOLERANCE ±.002 UNLESS OTHERWISE NOTED

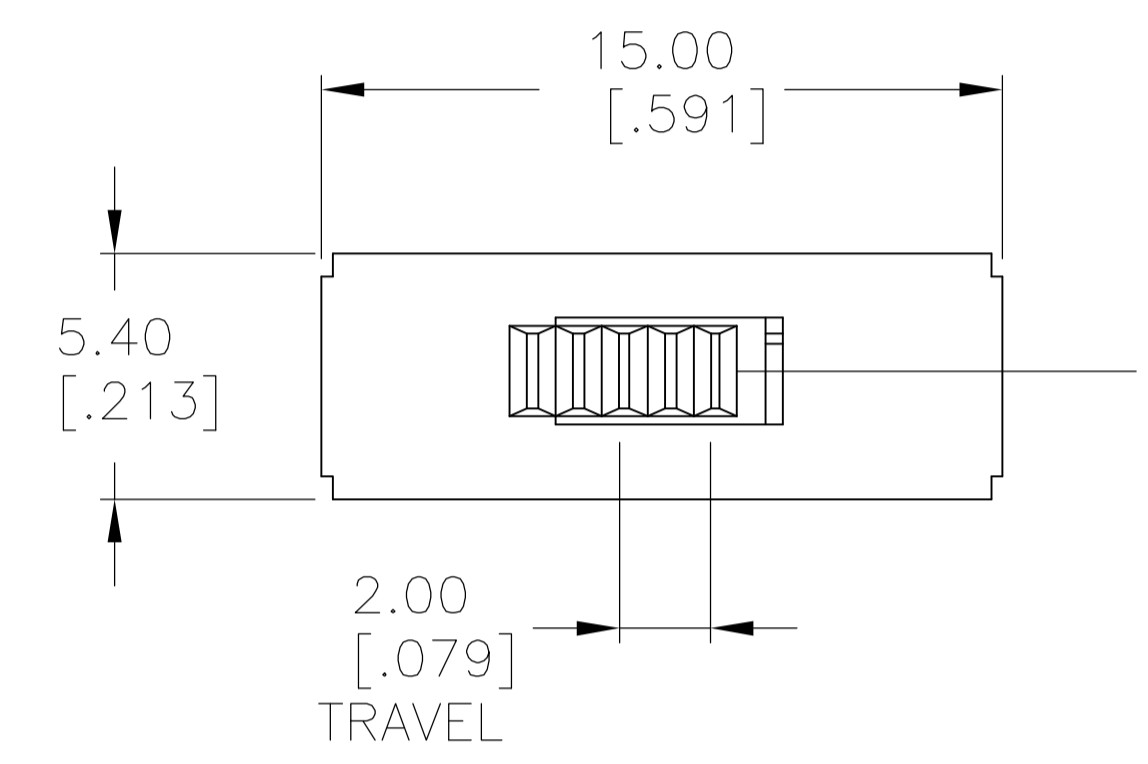


SSB -12R

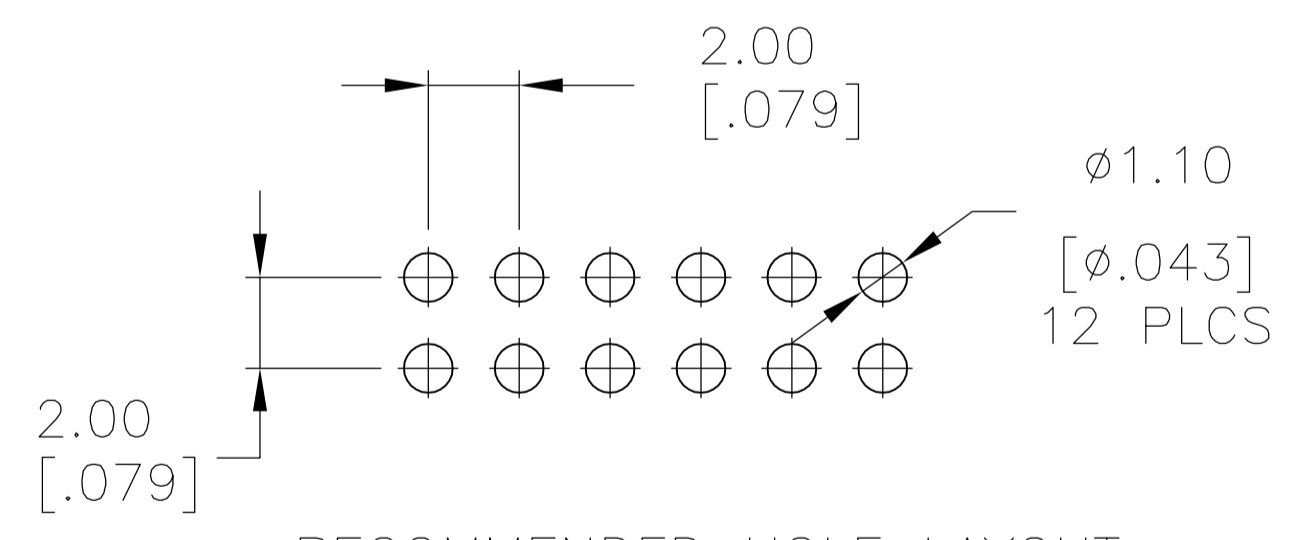
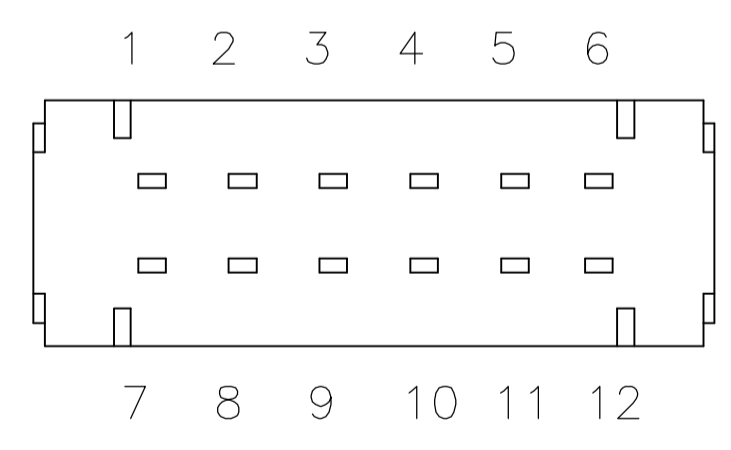
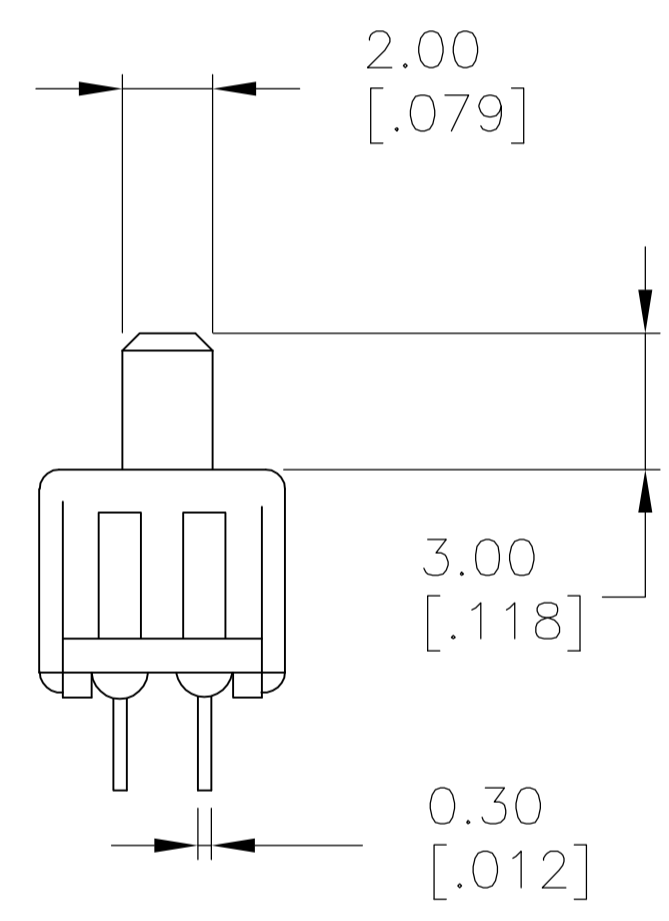
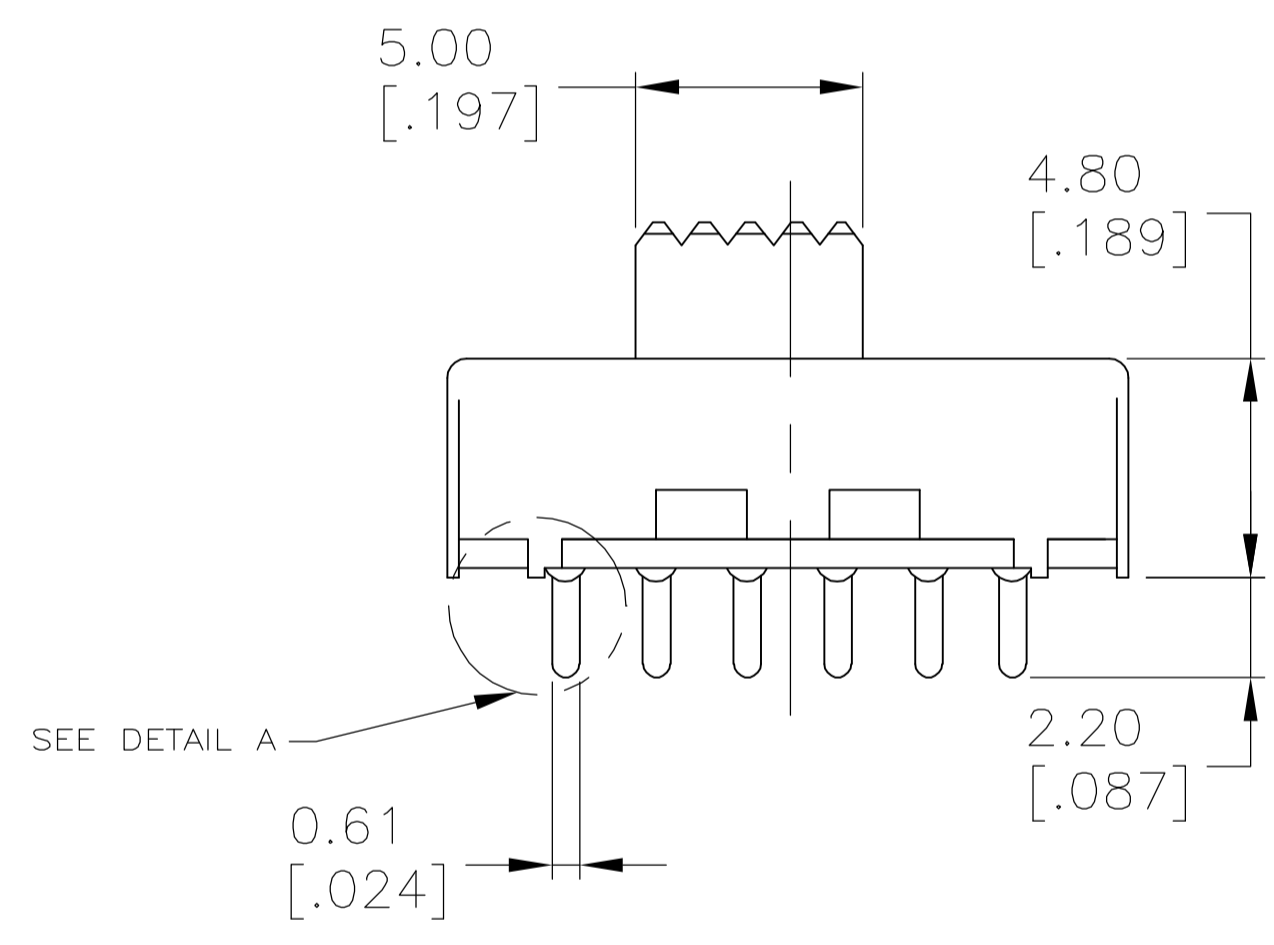


RECOMMENDED HOLE LAYOUT
 TOLERANCE ±.002 UNLESS OTHERWISE NOTED

SSB - 22R



SSB-42



RECOMMENDED HOLE LAYOUT
 TOLERANCE ±.002 UNLESS OTHERWISE NOTED

THIS DRAWING IS A CONTROLLED DOCUMENT.		DIN	B.S.VISWESWARA	25SEP05	tyco	Tyco Electronics Corporation	
DIMENSIONS: mm [INCHES]		CHK			Electronics	Harrisburg, Pa 17105-3608	
TOLERANCES UNLESS OTHERWISE SPECIFIED:		APVD			NAME	SLIDE SWITCH, LOW PROFILE SSB SERIES	
0 PLC	± .010	PRODUCT SPEC			APPLICATION SPEC	SIZE	A1
1 PLC	± .010					CAGE CODE	00779
2 PLC	± .010					DRAWING NO	2-1437575-3
3 PLC	± 0.25[.010]					RESTRICTED TO	
4 PLC	± .010					WEIGHT	
ANGLES	± 1°					CUSTOMER DRAWING	
MATERIAL SEE ABOVE	FINISH					SCALE	6:1
						SHEET	2 OF 2
						REV	B