



Chipsmall Limited consists of a professional team with an average of over 10 year of expertise in the distribution of electronic components. Based in Hongkong, we have already established firm and mutual-benefit business relationships with customers from,Europe,America and south Asia,supplying obsolete and hard-to-find components to meet their specific needs.

With the principle of “Quality Parts,Customers Priority,Honest Operation,and Considerate Service”,our business mainly focus on the distribution of electronic components. Line cards we deal with include Microchip,ALPS,ROHM,Xilinx,Pulse,ON,Everlight and Freescale. Main products comprise IC,Modules,Potentiometer,IC Socket,Relay,Connector.Our parts cover such applications as commercial,industrial, and automotives areas.

We are looking forward to setting up business relationship with you and hope to provide you with the best service and solution. Let us make a better world for our industry!



Contact us

Tel: +86-755-8981 8866 Fax: +86-755-8427 6832

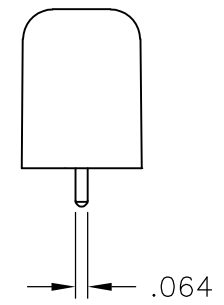
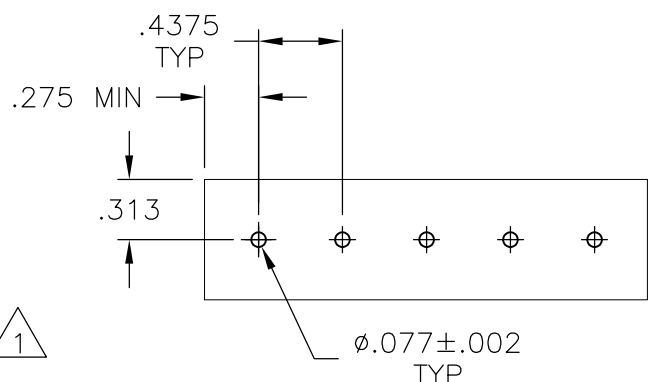
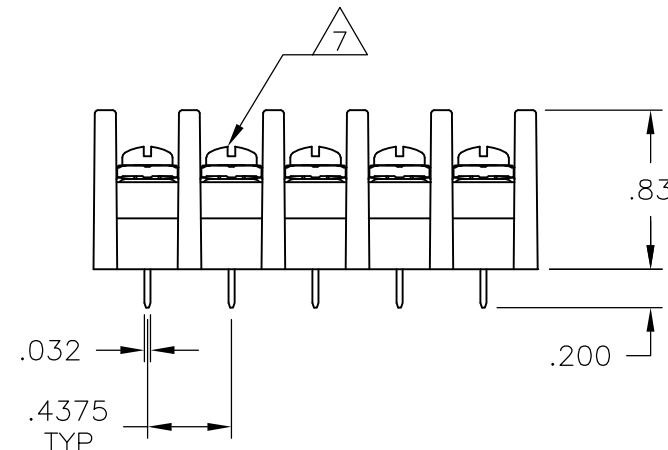
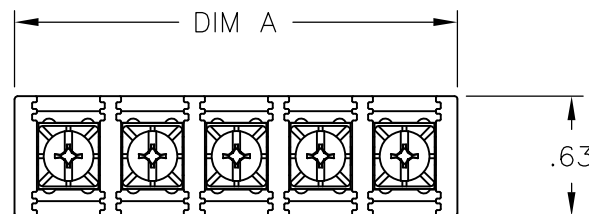
Email & Skype: info@chipsmall.com Web: www.chipsmall.com

Address: A1208, Overseas Decoration Building, #122 Zhenhua RD., Futian, Shenzhen, China



THIS DRAWING IS UNPUBLISHED. RELEASED FOR PUBLICATION
 © COPYRIGHT - By - ALL RIGHTS RESERVED.

LOC FT	DIST 0	REVISIONS			
P	LTR	DESCRIPTION	DATE	DWN	APVD
	R	REVISED PER ECO-11-023039	20FEB12	KH	MS



MATERIAL:
 HOUSING: THERMOPLASTIC, UL94V-2, BLACK.
 TERMINAL: BRASS, PLATED BRIGHT TIN OVER NICKEL.
 SCREWS: 6-32, STEEL, ZINC AND CHROMATE PLATED ¹
 OR
 NICKEL OVER COPPER PLATED ²

ELECTRICAL:
 MAXIMUM CURRENT: 20A.
 OPERATING VOLTAGE: 600V.
 WIRE RANGE: 12 AWG MAX.
 ENVIRONMENT:
 OPERATING TEMP.: -60°C TO +105°C.

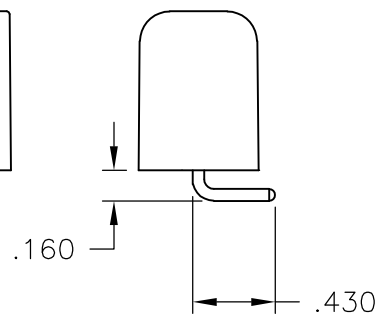
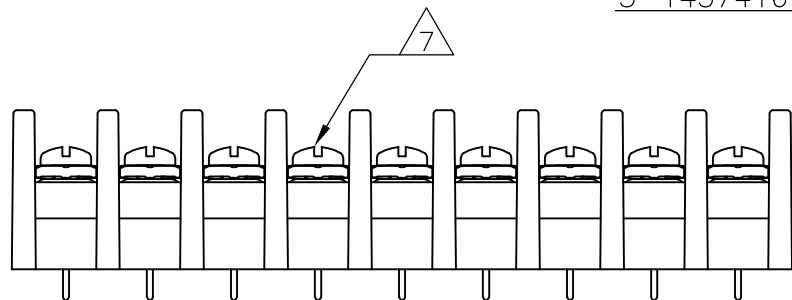
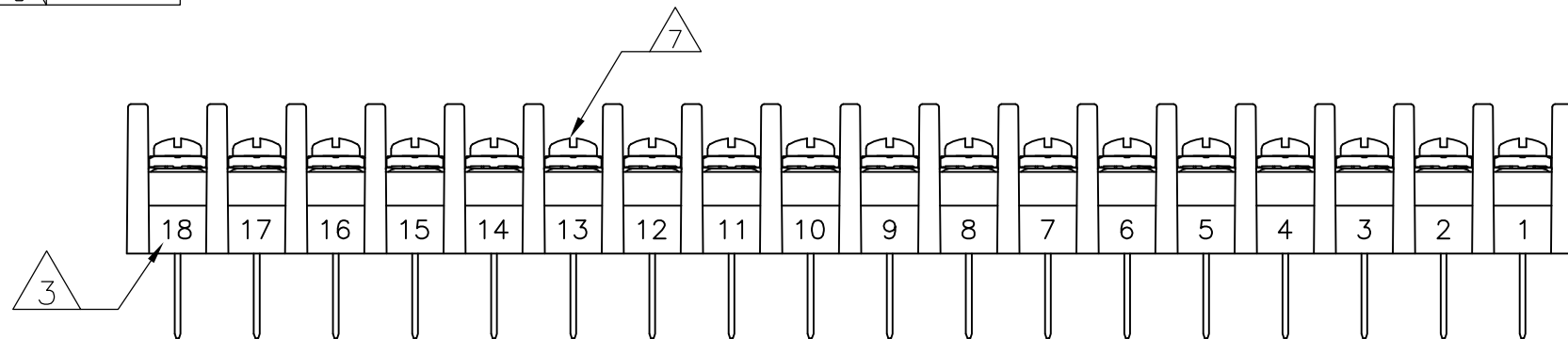
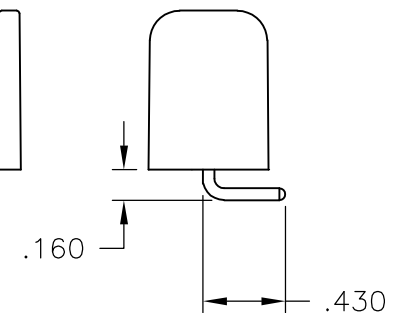
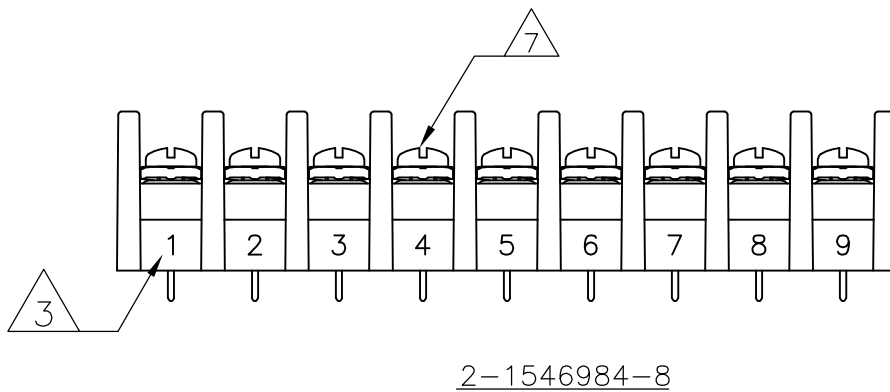
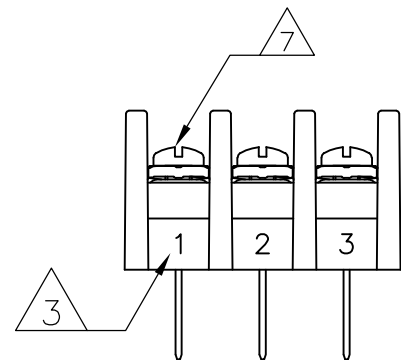
- ³ WHITE INK MARKING, APPROX. AS SHOWN. (SEE PAGE 2)
- ⁴ PRELIMINARY PART NUMBER.
- ⁵ OBSOLETE PARTS: OBSOLETE CIS STREAMLINING PER D.RENAUD/D.SINISI
- ⁶ SPECIAL MARKING SEE DETAIL.
- ⁷ ALL SCREWS BOTTOMED, TORQUE 2 TO 4 IN-LBS

¹ ⁴	11.937	27	SSB7FP270202	2-1546984-7	
¹	11.500	26	SSB7FP260202	5-1437416-4	
¹	11.062	25	SSB7FP250202	5-1437416-3	
¹ ⁴	10.625	24	SSB7FP240202	2-1546984-4	
¹ ⁴	10.187	23	SSB7FP230202	2-1546984-3	
¹ ⁴	9.750	22	SSB7FP220202	2-1546984-2	
¹ ⁴	9.312	21	SSB7FP210202	2-1546984-1	
¹	8.875	20	SSB7FP200202	5-1437416-2	
¹ ⁴	8.437	19	SSB7FP190202	1-1546984-9	
¹	8.000	18	SSB7FP18020212	5-1437416-1	
¹ ⁴	8.000	18	SSB7FP180202	1-1546984-8	
¹	7.562	17	SSB7FP170202	5-1437416-0	
¹ ⁴	7.125	16	SSB7FP160202	1-1546984-6	
¹	6.687	15	SSB7FP150202	4-1437416-7	
¹	6.250	14	SSB7FP140202	3-796602-3	
¹ ⁴	5.812	13	SSB7FP130202	1-1546984-3	
¹	5.375	12	SSB7FP120202	4-1437416-1	
¹	4.937	11	SSB7FP110202	1-1546561-2	
¹	4.500	10	SSB7FP100202	3-1437416-5	
⁴	4.062	9	SSB7FP091402	2-1546984-9	
⁶ ⁴	4.062	9	SSB7FP09140211	2-1546984-8	
¹	4.062	9	SSB7FP090202	3-1437416-2	
¹	3.625	8	SSB7FP080202	2-1437416-8	
¹	3.187	7	SSB7FP070202	3-796602-2	
¹	2.750	6	SSB7FP060202	2-1437416-2	
¹	2.312	5	SSB7FP050202	1-1437416-7	
¹	1.875	4	SSB7FP040202	1-1437416-2	
²	1.437	3	SSB7FP0320911	3-1546561-9	
¹ ⁵	OBSOLETE	1.437	3	SSB7FP03020211	1546561-6
¹	1.437	3	SSB7FP030202	1437416-8	
¹	1.000	2	SSB7FP020202	1437416-4	
	DIM A	NO. OF POS.	CATALOG NUMBER	PART NUMBER	

THIS DRAWING IS A CONTROLLED DOCUMENT.		DWN S SCHLGE	16FEB04	STE TE Connectivity	
DIMENSIONS: INCHES		CHK S YODER	2/16/04		
TOLERANCES UNLESS OTHERWISE SPECIFIED:		APVD S YODER	2/16/04	NAME	
0 PLC ± -		PRODUCT SPEC		SSB7 ASSEMBLY	
1 PLC ± -		APPLICATION SPEC		RESTRICTED TO	
2 PLC ± .02		SIZE	CAGE CODE	DRAWING NO	
3 PLC ± .010		A3 00779		C-3-796602-2	
4 PLC ± -		WEIGHT		SCALE NTS SHEET 1 OF 2 REV R	
ANGLES ± 1°		CUSTOMER DRAWING			
FINISH					

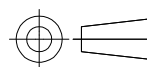
THIS DRAWING IS UNPUBLISHED. RELEASED FOR PUBLICATION
 © COPYRIGHT - By - ALL RIGHTS RESERVED.

LOC FT	DIST 0	REVISIONS			
P	LTR	DESCRIPTION	DATE	DWN	APVD
-	-	SEE SHEET 1	-	-	-



THIS DRAWING IS A CONTROLLED DOCUMENT.

DIMENSIONS:
INCHES



TOLERANCES UNLESS OTHERWISE SPECIFIED:

- 0 PLC ± -
- 1 PLC ± -
- 2 PLC ± .02
- 3 PLC ± .010
- 4 PLC ± -
- ANGLES ± 1°

MATERIAL

FINISH

DWN S SCHL GEL 16FEB04

CHK S YODER 2/16/04

APVD S YODER 2/16/04

PRODUCT SPEC

APPLICATION SPEC

WEIGHT

-

CUSTOMER DRAWING



NAME

SSB7 ASSEMBLY

SIZE

CAGE CODE

DRAWING NO

RESTRICTED TO

A3

00779

C-3-796602-2

SCALE

NTS

SHEET

2 OF 2

REV

R