



Chipsmall Limited consists of a professional team with an average of over 10 year of expertise in the distribution of electronic components. Based in Hongkong, we have already established firm and mutual-benefit business relationships with customers from,Europe,America and south Asia,supplying obsolete and hard-to-find components to meet their specific needs.

With the principle of “Quality Parts,Customers Priority,Honest Operation,and Considerate Service”,our business mainly focus on the distribution of electronic components. Line cards we deal with include Microchip,ALPS,ROHM,Xilinx,Pulse,ON,Everlight and Freescale. Main products comprise IC,Modules,Potentiometer,IC Socket,Relay,Connector.Our parts cover such applications as commercial,industrial, and automotives areas.

We are looking forward to setting up business relationship with you and hope to provide you with the best service and solution. Let us make a better world for our industry!



Contact us

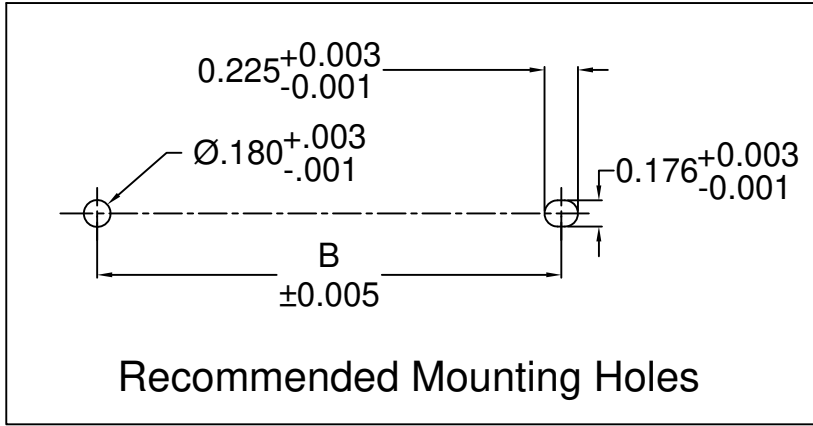
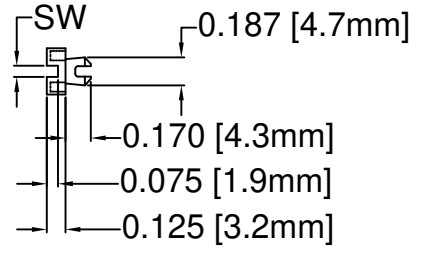
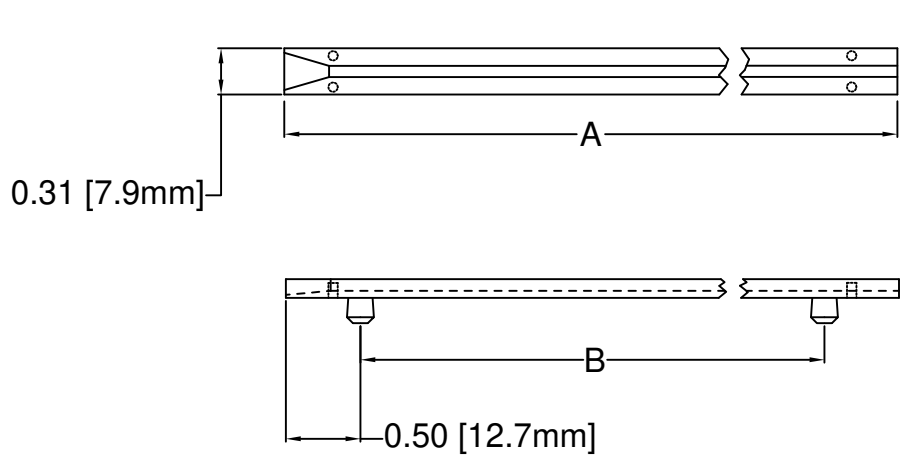
Tel: +86-755-8981 8866 Fax: +86-755-8427 6832

Email & Skype: info@chipsmall.com Web: www.chipsmall.com

Address: A1208, Overseas Decoration Building, #122 Zhenhua RD., Futian, Shenzhen, China





REV.	DESCRIPTION	DATE	APPROVED
H	Engineering Release.	11/01/13	T. Y.
J	Updated Material Note.	03/08/16	J. C.



PART NO.		A ±.032 (.8)	B ±.016 (.4)
SSD-250	SSD-250-102	2.5 (63.5)	1.5 (38.1)
SSD-300	SSD-300-102	3.0 (76.2)	2.0 (50.8)
SSD-350	SSD-350-102	3.5 (88.9)	2.5 (63.5)
SSD-400	SSD-400-102	4.0 (101.6)	3.0 (76.2)
SSD-450 3X	-	4.5 (114.3)	3.0 (76.2)
SSD-450	SSD-450-102	4.5 (114.3)	3.5 (88.9)
SSD-500	SSD-500-102	5.0 (127.0)	4.0 (101.6)
SSD-550	SSD-550-102	5.5 (139.7)	4.5 (114.3)
SSD-600	SSD-600-102	6.0 (152.4)	5.0 (127.0)
SSD-650	SSD-650-102	6.5 (165.1)	5.5 (139.7)
SSD-700	SSD-700-102	7.0 (177.8)	6.0 (152.4)
SSD-750	SSD-750-102	7.5 (190.5)	6.5 (165.1)
SSD-800	SSD-800-102	8.0 (203.2)	7.0 (177.8)
SW=0.075 (1.9)	SW=0.102 (2.6)		

3. ALL DIMENSIONS IN INCHES, UNLESS OTHERWISE SPECIFIED.
2. MATERIAL: NYLON 6/6, 94V-2, NATURAL.
1. GENERAL SPECIFICATIONS: BIVAR MOLDED COMPONENT SPECIFICATION BV00-E101.

STANDARD TOLERANCE (UNLESS OTHERWISE SPECIFIED)		 BIVAR [®] 4 THOMAS, IRVINE, CA. 92618 TEL: (949) 951-8808 FAX: (949) 951-3974	
DECIMALS	ANGULAR		
.X ±.1	X° ± 1°		TITLE: INTERCHANGEABLE SNAP-IN CARD GUIDE
.XX ±.01			PART NO: SSD-XXX-XXX
.XXX ±.005		DESIGNED: David Green	REVISION: J
CHECKED: M. Chen	DATE: 11/26/02	DATE: 11/26/02	CAGE CODE : 32559 SHEET # 1 OF 1
CAD GENERATED DOCUMENT. DO NOT MEASURE DRAWING.			