



Chipsmall Limited consists of a professional team with an average of over 10 year of expertise in the distribution of electronic components. Based in Hongkong, we have already established firm and mutual-benefit business relationships with customers from,Europe,America and south Asia,supplying obsolete and hard-to-find components to meet their specific needs.

With the principle of “Quality Parts,Customers Priority,Honest Operation,and Considerate Service”,our business mainly focus on the distribution of electronic components. Line cards we deal with include Microchip,ALPS,ROHM,Xilinx,Pulse,ON,Everlight and Freescale. Main products comprise IC,Modules,Potentiometer,IC Socket,Relay,Connector.Our parts cover such applications as commercial,industrial, and automotives areas.

We are looking forward to setting up business relationship with you and hope to provide you with the best service and solution. Let us make a better world for our industry!



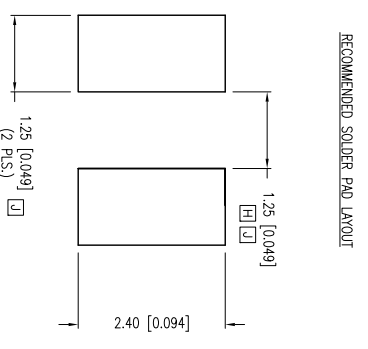
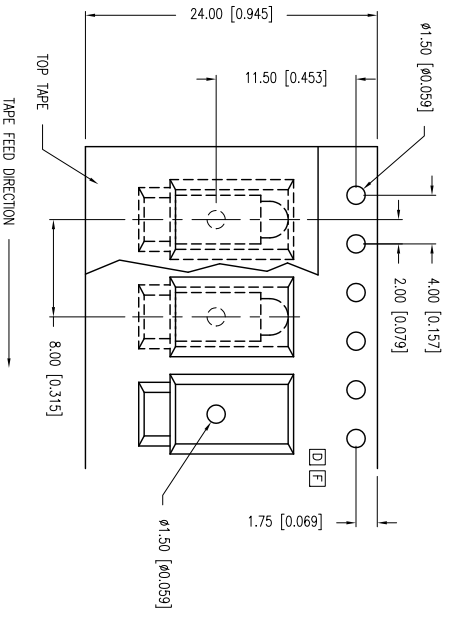
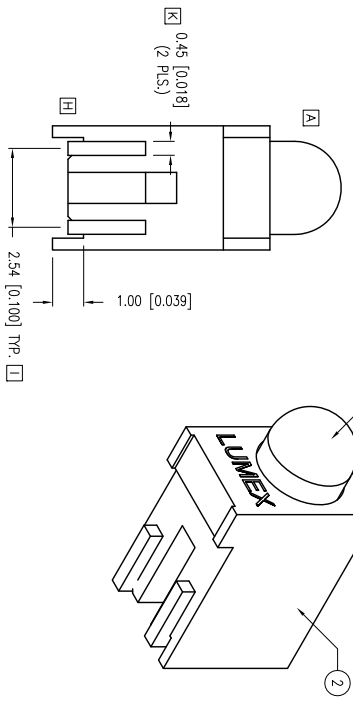
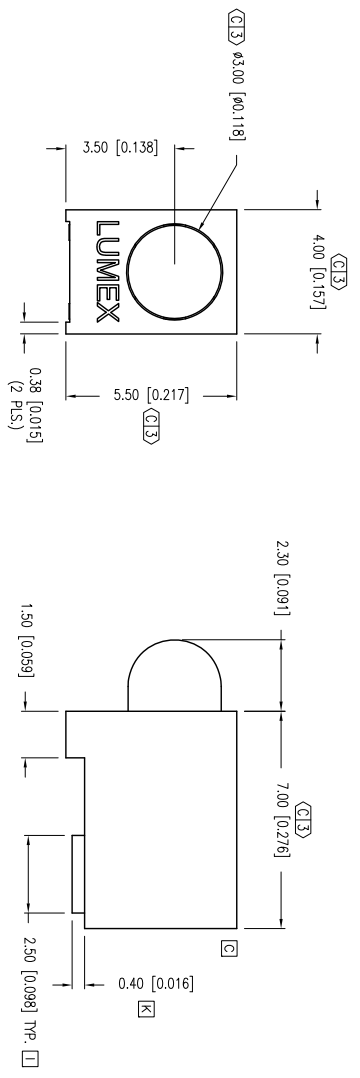
Contact us

Tel: +86-755-8981 8866 Fax: +86-755-8427 6832

Email & Skype: info@chipsmall.com Web: www.chipsmall.com

Address: A1208, Overseas Decoration Building, #122 Zhenhua RD., Futian, Shenzhen, China



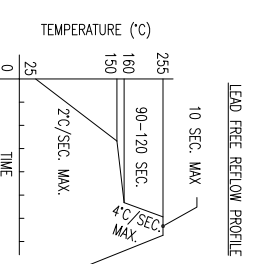


PART NUMBER	SSF-LXH305YD(-TR)	REV.	K
DATE	E.C.N. NUMBER AND REVISION COMMENTS	REV.	
5.13.94	ADDED SOLDER PROFILE.	A	
9.12.94	UPDATED SAFE OPER. SPECS.	B	
3.13.95	CORRECTED LED PROTRUSION.	C	
7.5.95	ADDED TAPE AND REEL OPTION.	D	
10.15.97	E.C.N. #10BRDR & REDRAWN.	E	
5.22.00	E.C.N. #10625.	F	
11.30.00	E.C.N. #10683.	G	
11.6.01	E.C.N. #10782.	H	
4.22.02	E.C.N. #10855.	I	
5.15.02	E.C.N. #10864.	J	
2.20.06	E.C.N. #11311.	K	

PARAMETER	MIN	TYP	MAX	UNITS	TEST COND
ELECTRO-OPTICAL CHARACTERISTICS I _A =25°C					
PEAK WAVELENGTH		585	2.5	nm	I _F =20mA
FORWARD VOLTAGE		2.1		V _F	I _F =100µA
REVERSE VOLTAGE		5.0		V _R	I _F =20mA
AXIAL INTENSITY			30	med	
VIEWING ANGLE			60	2x theta	
EMITTED COLOR:	YELLOW				
EPOXY LENS FINISH:	YELLOW DIFFUSED				

PARAMETER	MAX	UNITS
LIMITS OF SAFE OPERATION AT 25°C		
PEAK FORWARD CURRENT*	150	mA
STEADY CURRENT	30	mA
POWER DISSIPATION	100	mW
DERATE FROM 25°C	-1.6	mW/°C
OPERATING TEMP.	-40 TO +85	°C
STORAGE TEMP.	-40 TO +85	°C
SOLDERING TEMP.	+260	°C
2.0mm FROM BODY		
* I_T10J5		3 SEC. MAX

- NOTES:
1. SSL-LX3056YD, YELLOW LED.
 2. SSH-LXH305, BLACK HOLDER.
 3. -TR SUFFIX TO DESIGNATE TAPE & REEL SUPPLIED.
 4. CARRIER TAPE #LXP-CARRIER24-56.
 5. LED HAS HIGH TEMP. EPOXY.



TOTAL TIME ABOVE 220°C IS 60 SECONDS MAX.

UNLESS OTHERWISE SPECIFIED TOLERANCES PER DECIMAL PRECISION ARE: X=±1 (+0.039), XX=±0.5 (+0.020), XXX=±0.25 (+0.010), XXXX=±0.127 (+0.005). LEAD SIZE=±0.05 (+0.002), LEAD LENGTH=±0.75 (+0.030), MIN.=^{+0.000}/_{-0.00} DECIMAL PRECISION. UNCONTROLLED DOCUMENT

LUMEX
 Creating LED and LCD Solutions Together™
 425 N GARY AVE.
 CAROL STREAM, IL 60188
 PHONE: 630-315-2150
 FAX: 630-315-2151
 WEB: WWW.LUMEX.COM

T-3mm (T-1) RIGHT ANGLE SURFACE MOUNT LED, YELLOW DIFFUSED LENS, TAPE AND REEL.
 CONFIDENTIAL INFORMATION
 THE INFORMATION CONTAINED IN THIS DOCUMENT IS THE PROPERTY OF LUMEX INC. EXCEPT AS SPECIFICALLY AUTHORIZED IN WRITING BY LUMEX INC., THE HOLDER OF THIS DOCUMENT SHALL KEEP ALL INFORMATION CONTAINED HEREIN CONFIDENTIAL AND SHALL PROTECT SAME IN WHOLE OR IN PART FROM DISCLOSURE AND DISSEMINATION TO ALL THIRD PARTIES.

DATE:	03.03.94	DRAWN BY:	BC
PAGE:	1 OF 1	CHKD BY:	
SCALE:		APRVD BY:	
UNIT:	mm [INCH]		