



Chipsmall Limited consists of a professional team with an average of over 10 year of expertise in the distribution of electronic components. Based in Hongkong, we have already established firm and mutual-benefit business relationships with customers from,Europe,America and south Asia,supplying obsolete and hard-to-find components to meet their specific needs.

With the principle of "Quality Parts,Customers Priority,Honest Operation,and Considerate Service",our business mainly focus on the distribution of electronic components. Line cards we deal with include Microchip,ALPS,ROHM,Xilinx,Pulse,ON,Everlight and Freescale. Main products comprise IC,Modules,Potentiometer,IC Socket,Relay,Connector.Our parts cover such applications as commercial,industrial, and automotives areas.

We are looking forward to setting up business relationship with you and hope to provide you with the best service and solution. Let us make a better world for our industry!



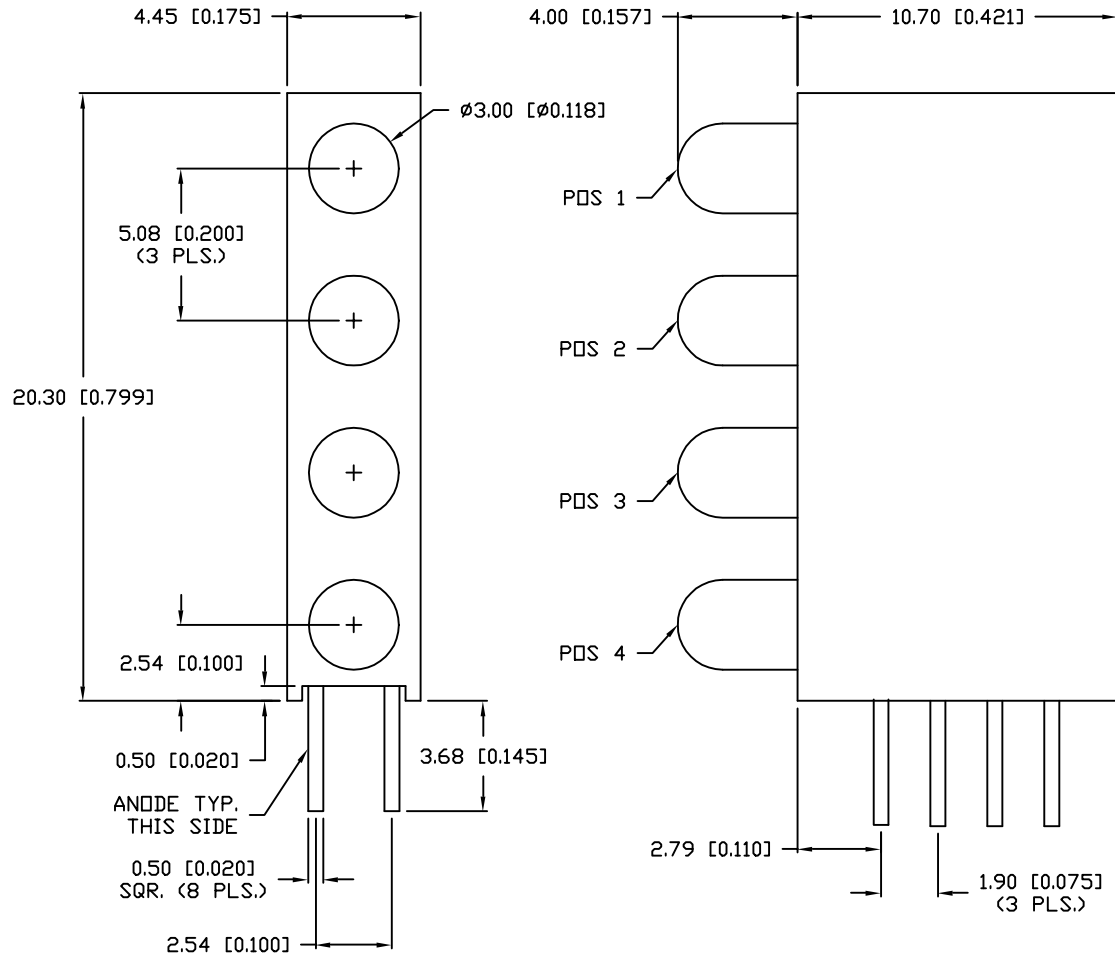
## Contact us

Tel: +86-755-8981 8866 Fax: +86-755-8427 6832

Email & Skype: info@chipsmall.com Web: www.chipsmall.com

Address: A1208, Overseas Decoration Building, #122 Zhenhua RD., Futian, Shenzhen, China





ELECTRO-OPTICAL CHARACTERISTICS  $T_A=25^{\circ}\text{C}$   $I_f=20\text{mA}$

PARAMETER	BLUE	GREEN	YELLOW	RED	UNITS	TEST COND
PEAK WAVELENGTH	430	565	585	635	nm	
FORWARD VOLTAGE (TYP.)	4.5	2.2	2.1	2.0	$V_f$	
FORWARD VOLTAGE (MAX.)	5.5	2.6	2.5	2.5	$V_f$	
REVERSE VOLTAGE (TYP.)	5.0	5.0	5.0	5.0	$V_r$	$I_r=100\mu\text{A}$
AXIAL INTENSITY (TYP.)	30	30	30	30	mcd	$I_f=20\text{mA}$
AXIAL INTENSITY (MIN.)	1.0	1.0	1.0	1.0	mcd	$I_f=2\text{mA}$
VIEWING ANGLE	60	60	60	60	2x theta	
LED POSITION:	1	2	3	4		

EPOXY LENS FINISH: DIFFUSED SAME AS EMITTED COLOR

LIMITS OF SAFE OPERATION AT  $25^{\circ}\text{C}$

PARAMETER	COLORS	MAX	UNITS
PEAK FORWARD CURRENT*		150	mA
STEADY CURRENT	(B/G/Y/R)	90/25/30/30	mA
POWER DISSIPATION	(B/G/Y/R)	100/105/105/105	mW
DERATE FROM $25^{\circ}\text{C}$		-1.6	$\text{mW}/^{\circ}\text{C}$
OPERATING, STORAGE TEMP.		-40 TO +85	$^{\circ}\text{C}$
SOLDERING TEMP.		+260	$^{\circ}\text{C}$
2.0mm FROM BODY			3 SEC. MAX

\*  $t < 10\mu\text{s}$

\*TOLERANCES PER DECIMAL PRECISION ARE: X=±1 (±0.039), X.X=±0.5 (±0.020), X.XX=±0.25 (±0.010), X.XXX=±0.127 (±0.005). LEAD LENGTH=±0.75 (±0.030). MIN.= +DECIMAL PRECISION MAX.= +0.00 -DECIMAL PRECISION

REV. PART NUMBER  
SSF-LXH475LSBGYID

**CONFIDENTIAL INFORMATION**  
THE INFORMATION CONTAINED IN THIS DOCUMENT IS THE PROPERTY OF LUMEX INC. EXCEPT AS SPECIFICALLY AUTHORIZED IN WRITING BY LUMEX INC., THE HOLDER OF THIS DOCUMENT SHALL KEEP ALL INFORMATION CONTAINED HEREIN CONFIDENTIAL AND SHALL PROTECT SAME IN WHOLE OR IN PART FROM DISCLOSURE AND DISSEMINATION TO ALL THIRD PARTIES.



290 E. HELLEN ROAD  
PALATINE, ILLINOIS 60067  
PHONE: (847) 359-2790  
WEB: <http://www.lumex.com>

T-3mm (T-1) FOUR UNIT FAULT INDICATOR,  
POS.1: BLUE LED, POS.2: GREEN LED, POS.3: YELLOW LED,  
POS.4: RED LED, DIFFUSED PER COLOR, LOW CURRENT.

**RELIABILITY NOTE**  
OUR MANY YEARS OF EXPERIENCE DATA ACCUMULATION INDICATE THAT SOLDER HEAT IS A MAJOR CAUSE OF EARLY AND FUTURE FAILURE. PLEASE PAY ATTENTION TO YOUR SOLDERING PROCESS.

DRAWN BY: KS/BC CHECKED BY: APPROVED BY: DATE: 3-15-00  
PAGE: 1 OF 1  
SCALE: N/A