



Chipsmall Limited consists of a professional team with an average of over 10 year of expertise in the distribution of electronic components. Based in Hongkong, we have already established firm and mutual-benefit business relationships with customers from,Europe,America and south Asia,supplying obsolete and hard-to-find components to meet their specific needs.

With the principle of “Quality Parts,Customers Priority,Honest Operation,and Considerate Service”,our business mainly focus on the distribution of electronic components. Line cards we deal with include Microchip,ALPS,ROHM,Xilinx,Pulse,ON,Everlight and Freescale. Main products comprise IC,Modules,Potentiometer,IC Socket,Relay,Connector.Our parts cover such applications as commercial,industrial, and automotives areas.

We are looking forward to setting up business relationship with you and hope to provide you with the best service and solution. Let us make a better world for our industry!



Contact us

Tel: +86-755-8981 8866 Fax: +86-755-8427 6832

Email & Skype: info@chipsmall.com Web: www.chipsmall.com

Address: A1208, Overseas Decoration Building, #122 Zhenhua RD., Futian, Shenzhen, China



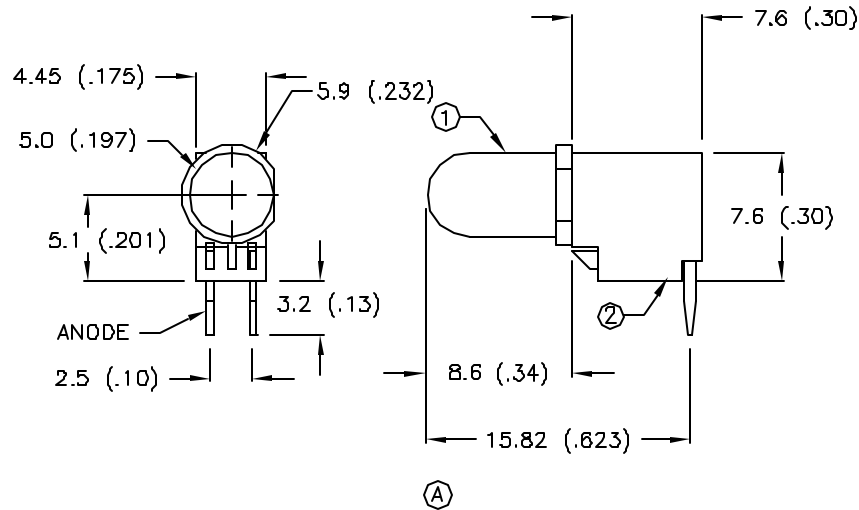
DATE	REVISIONS	REV
7-5-95	UPDATED SPECS. & DIM WHERE NOTED./	A

DRAWING NUMBER	REV
SSF-LXH4RA5BID	A

UNCONTROLLED DOCUMENT

ELECTRO-OPTICAL CHARACTERISTICS TA=25 °C I_f=20mA

PARAMETER	MIN	TYP	MAX	UNITS	TEST COND
PEAK WAVELENGTH		635 (RED)		nm	
FORWARD VOLTAGE		3.5	13	V _f	
AXIAL INTENSITY		20		mcd	V _f =9.0
BLINKING FREQUENCY		1.5		Hz	V _f =13.0
		2.5		Hz	V _f =3.5
VIEWING ANGLE		60		2x theta	
EMITTED COLOR:		RED			
EPOXY LENS FINISH:		RED DIFFUSED			



NOTES:

1. SSL-LX5093BID LED.
2. IFS-LX4FRA-1 LAMP SOCKET.
3. CUT LED LEADS 5mm LONG.
4. ASSEMBLE IN SOCKET, POLARITY AS SHOWN.

LIMITS OF SAFE OPERATION AT 25 DEG. C

PARAMETER	MAX	UNITS
FORWARD CURRENT	70	mA
FORWARD VOLTAGE	13	V
POWER DISSIPATION	200	mW
OPERATING, STORAGE TEMP.	-40 TO +85	°C
LEAD SOLDERING TEMP.	+260	°C
2.0mm FROM BODY		3 SEC. MAX

LUMEX OPTO COMPONENTS INC.		292 E. HELLEN ROAD PALATINE, ILLINOIS 60067 (708) 359-2790
DATE: 8-23-93	APPROVED BY:	DRAWN BY:
SCALE: DO NOT SCALE		
T-1 3/4 LAMP, BLINKING RED FAULT INDICATOR		
PAGE 1 OF 1	DRAWING NUMBER SSF-LXH4RA5BID	REV A

UNCONTROLLED DOCUMENT