



Chipsmall Limited consists of a professional team with an average of over 10 year of expertise in the distribution of electronic components. Based in Hongkong, we have already established firm and mutual-benefit business relationships with customers from,Europe,America and south Asia,supplying obsolete and hard-to-find components to meet their specific needs.

With the principle of “Quality Parts,Customers Priority,Honest Operation,and Considerate Service”,our business mainly focus on the distribution of electronic components. Line cards we deal with include Microchip,ALPS,ROHM,Xilinx,Pulse,ON,Everlight and Freescale. Main products comprise IC,Modules,Potentiometer,IC Socket,Relay,Connector.Our parts cover such applications as commercial,industrial, and automotives areas.

We are looking forward to setting up business relationship with you and hope to provide you with the best service and solution. Let us make a better world for our industry!



Contact us

Tel: +86-755-8981 8866 Fax: +86-755-8427 6832

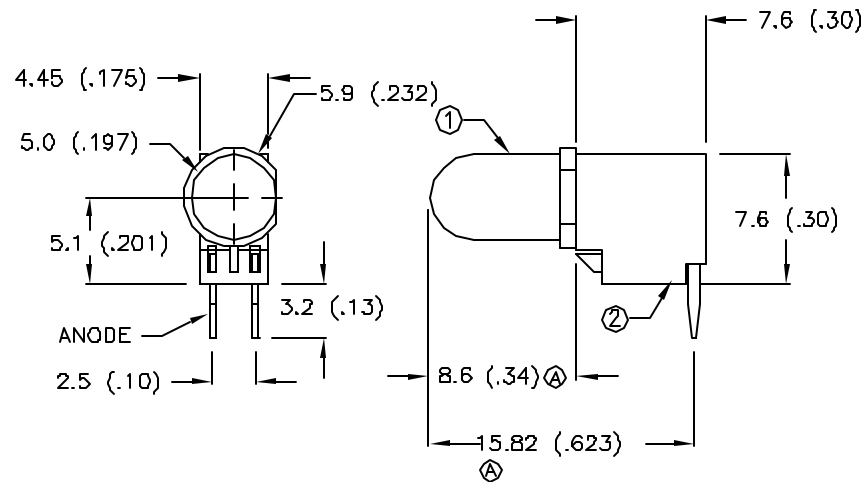
Email & Skype: info@chipsmall.com Web: www.chipsmall.com

Address: A1208, Overseas Decoration Building, #122 Zhenhua RD., Futian, Shenzhen, China



DATE	REVISIONS	REV
7-5-95	UPDATED SPECS. & DIM WHERE NOTED./	A

DRAWING NUMBER	REV
SSF-LXH4RA5ID-5V	A



NOTES:

1. SSL-LX5093ID-5V LED.
2. IFS-LX4FRA-1 LAMP SOCKET.
3. CUT LED LEADS 5mm LONG.
4. ASSEMBLE IN SOCKET, POLARITY AS SHOWN.

ELECTRO-OPTICAL CHARACTERISTICS TA=25 °C If=20mA

PARAMETER	MIN	TYP	MAX	UNITS	TEST COND
PEAK WAVELENGTH		635 {RED}		nm	
FORWARD VOLTAGE		5.0	7.0	V _f	
REVERSE VOLTAGE	5.0			V _r	I _r =100uA
AXIAL INTENSITY		30		mcd	V _f =5V
VIEWING ANGLE		60		2x theta	
EMITTED COLOR:		RED			
EPOXY LENS FINISH:		RED DIFFUSED			

LIMITS OF SAFE OPERATION AT 25 DEG. C

PARAMETER	MAX	UNITS
PEAK FORWARD CURRENT *	150	mA
STEADY CURRENT	12	mA
POWER DISSIPATION	310	mW
DERATE FROM 25 °C	-1.2	mW/ °C
OPERATING, STORAGE TEMP.	-40 TO +85	°C
LEAD SOLDERING TEMP.	+260	°C
2.0mm FROM BODY		3 SEC. MAX

* t<10uS



292 E. HELLEN ROAD
PALATINE, ILLINOIS 60067
(708) 359-2790

DATE: 8-23-93	APPROVED BY:	DRAWN BY:
SCALE: DO NOT SCALE		
T-1 3/4 LAMP, RED DIFFUSED, FAULT INDICATOR, INTEGRAL RESISTOR		
PAGE 1 OF 1	DRAWING NUMBER SSF-LXH4RA5ID-5V	REV A