



Chipsmall Limited consists of a professional team with an average of over 10 year of expertise in the distribution of electronic components. Based in Hongkong, we have already established firm and mutual-benefit business relationships with customers from,Europe,America and south Asia,supplying obsolete and hard-to-find components to meet their specific needs.

With the principle of “Quality Parts,Customers Priority,Honest Operation,and Considerate Service”,our business mainly focus on the distribution of electronic components. Line cards we deal with include Microchip,ALPS,ROHM,Xilinx,Pulse,ON,Everlight and Freescale. Main products comprise IC,Modules,Potentiometer,IC Socket,Relay,Connector.Our parts cover such applications as commercial,industrial, and automotives areas.

We are looking forward to setting up business relationship with you and hope to provide you with the best service and solution. Let us make a better world for our industry!



Contact us

Tel: +86-755-8981 8866 Fax: +86-755-8427 6832

Email & Skype: info@chipsmall.com Web: www.chipsmall.com

Address: A1208, Overseas Decoration Building, #122 Zhenhua RD., Futian, Shenzhen, China





SSF216 Series

Extra-long reach external mount float switch with 1"NPT mount



- **Longest reach for thick walled tanks and boss mounting**
- **Float material SS 316, stem material SS 304**
- **External mount via 1"NPT thread, so does not require access to the inside of the tank for fitting.**
- **N/O or N/C switching action**

The SSF216 float switches are externally mounted horizontal switches. This switch has an extra-long reach to provide a solution for extra thick tank walls or for mounting through welded-on 1"NPT bosses.

The 1"NPT thread enables the switches to be fitted through the wall of a tank from the outside, so does not require access to the inside of the tank.

The float switch can be fitted to achieve either N/O (make on rise) or N/C (make on fall) switching action by simply rotating the switch through 180°.

Technical Specification

Mounting style	External
Mounting thread	1"NPT
Float & Stem material	316/304 grade SS
Maximum Temperature	120°C
Maximum pressure	10 bar
Float SG	0.7
Minimum fluid SG	0.8
Tightening torque should be adequate to ensure a good seal	

Electrical Specification

Contact Form		N/O (N/C)
Switching Power Max	VA	50
Switching Voltage AC Max	V	300
Switching Voltage DC Max	V	300
Switching Current Max	A	0.5

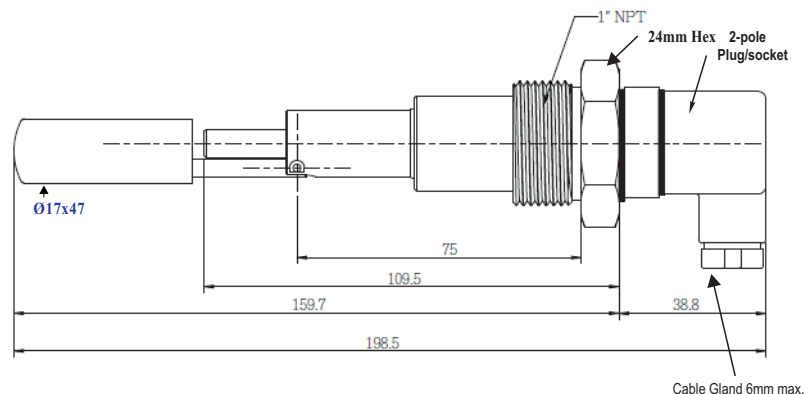
All ratings are for resistive load only.

Standard Parts

Standard Parts	Stem Material	Float Material	Connection
SSF216XPL	SS304	SS316	DIN43650

Custom versions can be made for particular applications. Please contact Cynergy3 with your requirements.

Mechanical Dimensions



Cynergy3 Components Ltd.
7 Cobham Road
Ferndown Industrial Estate
Wimborne, Dorset BH21 7PE
Telephone: +44 (0) 1202 897969
Email: sales@cynergy3.com

ISO9001 CERTIFIED

SSF216 2014

www.cynergy3.com

© 2014 Cynergy3 Components, All Rights Reserved. Specifications are subject to change without prior notice. Cynergy3 Components and the Cynergy3 Components logo are trademarks of Cynergy3 Components Limited.