



Chipsmall Limited consists of a professional team with an average of over 10 year of expertise in the distribution of electronic components. Based in Hongkong, we have already established firm and mutual-benefit business relationships with customers from,Europe,America and south Asia,supplying obsolete and hard-to-find components to meet their specific needs.

With the principle of “Quality Parts,Customers Priority,Honest Operation,and Considerate Service”,our business mainly focus on the distribution of electronic components. Line cards we deal with include Microchip,ALPS,ROHM,Xilinx,Pulse,ON,Everlight and Freescale. Main products comprise IC,Modules,Potentiometer,IC Socket,Relay,Connector.Our parts cover such applications as commercial,industrial, and automotives areas.

We are looking forward to setting up business relationship with you and hope to provide you with the best service and solution. Let us make a better world for our industry!



Contact us

Tel: +86-755-8981 8866 Fax: +86-755-8427 6832

Email & Skype: info@chipsmall.com Web: www.chipsmall.com

Address: A1208, Overseas Decoration Building, #122 Zhenhua RD., Futian, Shenzhen, China





SSF25 Series

1/2" BSP internal fitting switch with M12 plug



- Internal fitting via 1/2" BSP thread
- Stainless steel 316
- Miniature design
- Temperature up to 120°C
- User configurable N/O (make on rise) or N/C (make on fall)

Technical Specification

Mounting style	Internal	Connection	4 pin M12 plug
Mounting thread	1/2" BSP	Cable size	N/A
Float & Stem material	316 grade SS	Cable conductor material	N/A
Maximum Temperature	120°C	Cable sheath material	N/A
Maximum pressure	10 bar	Cable temperature rating	N/A
Float SG	0.7	Sealing gasket	Nitrile
Minimum fluid SG	0.8	Tightening torque for fixing nut	2.0 kg/cm

Electrical Specification

Contact Form		N/O (N/C)
Switching Power Max	VA	50
Switching Voltage AC Max	V	300
Switching Voltage DC Max	V	300
Switching Current Max	A	0.5

All ratings are for resistive load only.

The SSF25 series is a compact vertical internally mounted device. Mounting is in the top or bottom of the tank from the inside, so requires access to the inside of the tank.

This version has a M12 connector for rapid connection to system.

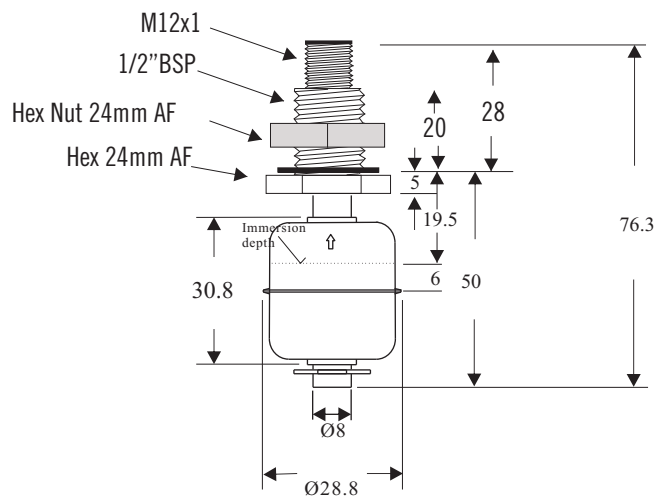
These are manufactured in 316 grade Stainless steel.

The switch action may be reversed by removing the float, inverting and then refitting it to the stem.

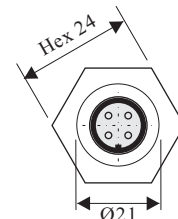
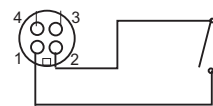
Standard Parts	Material	Max Power	Connection
SSF25XPM12	SS 316	50VA	M12 connector

Custom versions can be made for particular applications. Please contact Cynergy3 with your requirements.

Mechanical Dimensions



Plug connections



Cynergy3 Components Ltd.
7 Cobham Road
Ferndown Industrial Estate
Wimborne, Dorset BH21 7PE
Telephone +44 (0) 1202 897969

Email: sales@cynergy3.com

ISO9001 CERTIFIED

www.cynergy3.com