



Chipsmall Limited consists of a professional team with an average of over 10 year of expertise in the distribution of electronic components. Based in Hongkong, we have already established firm and mutual-benefit business relationships with customers from,Europe,America and south Asia,supplying obsolete and hard-to-find components to meet their specific needs.

With the principle of “Quality Parts,Customers Priority,Honest Operation,and Considerate Service”,our business mainly focus on the distribution of electronic components. Line cards we deal with include Microchip,ALPS,ROHM,Xilinx,Pulse,ON,Everlight and Freescale. Main products comprise IC,Modules,Potentiometer,IC Socket,Relay,Connector.Our parts cover such applications as commercial,industrial, and automotives areas.

We are looking forward to setting up business relationship with you and hope to provide you with the best service and solution. Let us make a better world for our industry!



Contact us

Tel: +86-755-8981 8866 Fax: +86-755-8427 6832

Email & Skype: info@chipsmall.com Web: www.chipsmall.com

Address: A1208, Overseas Decoration Building, #122 Zhenhua RD., Futian, Shenzhen, China





SSF67V Series

Continuous output level transducer



- 4-20mA transducer for safe area use (optional flameproof certification)
- Maximum process temperature 100°C
- Standard 10mm stepped accuracy
- Standard G1" Screwed entry (G1" to G2.5" possible)

Technical Specification

Mounting style	External	Connection	terminal block
Mounting thread	G1" (up to G2.5" possible)	Maximum Process Temperature	100°C
Stem material	Brass (optionally st/st)	Maximum Ambient Temperature	70°C
Float material	D300 closed cell PVC (opt. st/st)	Minimum ambient Temperature	-18°C
Enclosure material	Aluminium (opt. st/st)		

Electrical Specification

Output 4 to 20mA	4mA can be either High or Low
Input supply	15 to 30Vdc
Can be connected to analogue or digital displays	

Standard Parts

	Upper Level	Measuring Span	Total Length
SSF67V70S500	70mm	500mm	640mm
SSF67V70S1000	70mm	1000mm	1140mm
SSF67V70S1500	70mm	1500mm	1640mm

This transducer will give an output of 4-20mA over a measuring span of up to 2500mm.

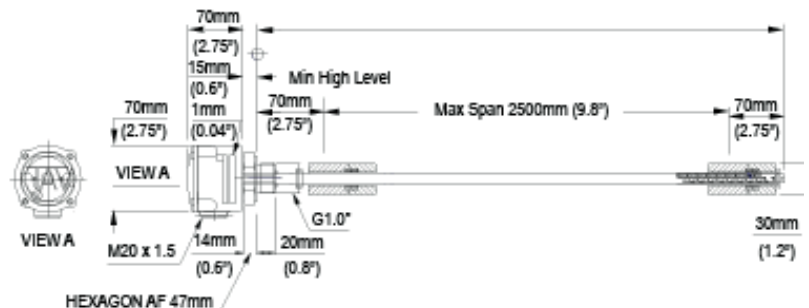
The standard output changes from 4mA at low level to 20mA at high level.

The transducer is top mounting, via a screwed entry, and is normally installed from outside the tank. The device has either a brass or stainless steel stem with either a foamed float or a stainless steel float

Volt free switches and resistors are mounted in the stem, to provide a varying resistance, as the float rises or falls, which is converted within the device into a 4 to 20mA stepped output.

Custom versions can be made for particular applications. Please contact Cynergy3 with your requirements.

All dimensions are in millimeters (inches)



Cynergy3 Components Ltd.
7 Cobham Road
Ferndown Industrial Estate
Wimborne, Dorset BH21 7PE
Telephone +44 (0) 1202 897969
Email: sales@cynergy3.com

ISO9001 CERTIFIED

SSF67V 2016

www.cynergy3.com

© 2016 Cynergy3 Components, All Rights Reserved. Specifications are subject to change without prior notice. Cynergy3 Components and the Cynergy3 Components logo are trademarks of Cynergy3 Components Limited.