



Chipsmall Limited consists of a professional team with an average of over 10 year of expertise in the distribution of electronic components. Based in Hongkong, we have already established firm and mutual-benefit business relationships with customers from,Europe,America and south Asia,supplying obsolete and hard-to-find components to meet their specific needs.

With the principle of “Quality Parts,Customers Priority,Honest Operation,and Considerate Service”,our business mainly focus on the distribution of electronic components. Line cards we deal with include Microchip,ALPS,ROHM,Xilinx,Pulse,ON,Everlight and Freescale. Main products comprise IC,Modules,Potentiometer,IC Socket,Relay,Connector.Our parts cover such applications as commercial,industrial, and automotives areas.

We are looking forward to setting up business relationship with you and hope to provide you with the best service and solution. Let us make a better world for our industry!



Contact us

Tel: +86-755-8981 8866 Fax: +86-755-8427 6832

Email & Skype: info@chipsmall.com Web: www.chipsmall.com

Address: A1208, Overseas Decoration Building, #122 Zhenhua RD., Futian, Shenzhen, China



SSH66TU series

Short Switch for internal or external mounting via 1/2" NPT thread.

- **Internal or External mount**
- **Short float version**
- **Stainless steel SUS304/316**
- **Operating temperature to 120°C**
- **N/O or N/C switching action**



Technical Specification

| | | | |
|-----------------------|-------------------|----------------------------------|-----------------|
| Mounting style | Internal/External | Cable length - standard | 100cm |
| Mounting thread | 1/2" NPT | Cable size | 17/0.10 - AWG22 |
| Float & Stem material | 316/304 grade SS | Cable conductor material | Tinned copper |
| Maximum Temperature | 120°C | Cable sheath material | XLPE |
| Maximum pressure | 10 bar | Cable temperature rating | 125°C |
| Float SG | 0.7 | Sealing gasket | Not applicable |
| Minimum fluid SG | 0.75 | Tightening torque for fixing nut | 2.0kg/cm |

Electrical Specification

| | | |
|--------------------------|----|-----------|
| Contact Form | | N/O (N/C) |
| Switching Power Max | VA | 1 |
| Switching Voltage AC Max | V | 24 |
| Switching Voltage DC Max | V | 24 |
| Switching Current Max | A | 0.1 |

All ratings are for resistive load only.

The SSH66TU series are horizontal float switches, with short floats, which offer the choice of internal or external fixing 1/2" NPT threads.

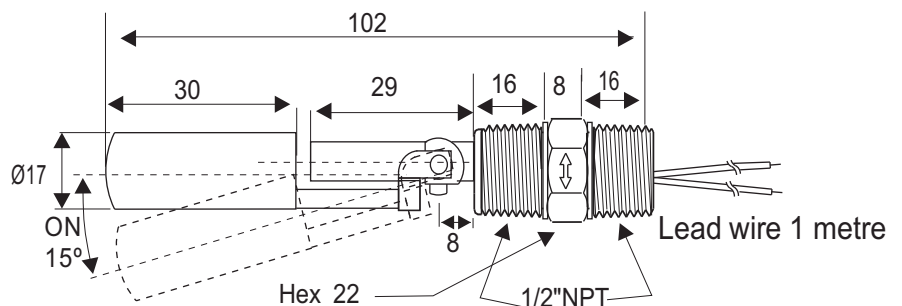
The float is manufactured from High Grade 316 stainless steel and the stem is manufactured from 304 stainless steel.

The switch action may be reversed by mounting the device with the float able to move upwards away from the body, instead of the more normal downwards direction.

| Standard Parts | Material | Max Power | Leadouts | Gasket |
|----------------|------------|-----------|------------|--------|
| SSH66TU12N100S | 316/304 SS | 1VA | 100cm XLPE | N/A |

Custom versions can be made for particular applications. Please contact Cynergy3 with your requirements.

Mechanical Dimensions



Cynergy3 Components Ltd.
7 Cobham Road
Ferndown Industrial Estate
Wimborne, Dorset BH21 7PE
Telephone +44 (0) 1202 897969

Email: sales@cynergy3.com

ISO9001 CERTIFIED

www.cynergy3.com