



Chipsmall Limited consists of a professional team with an average of over 10 year of expertise in the distribution of electronic components. Based in Hongkong, we have already established firm and mutual-benefit business relationships with customers from,Europe,America and south Asia,supplying obsolete and hard-to-find components to meet their specific needs.

With the principle of "Quality Parts,Customers Priority,Honest Operation,and Considerate Service",our business mainly focus on the distribution of electronic components. Line cards we deal with include Microchip,ALPS,ROHM,Xilinx,Pulse,ON,Everlight and Freescale. Main products comprise IC,Modules,Potentiometer,IC Socket,Relay,Connector.Our parts cover such applications as commercial,industrial, and automotives areas.

We are looking forward to setting up business relationship with you and hope to provide you with the best service and solution. Let us make a better world for our industry!



## Contact us

Tel: +86-755-8981 8866 Fax: +86-755-8427 6832

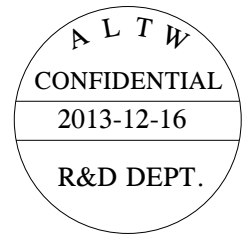
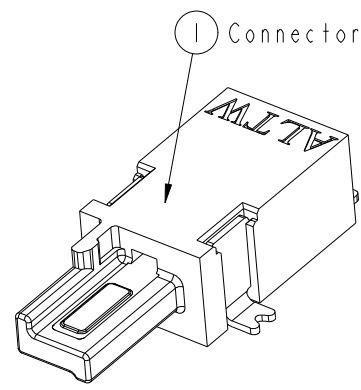
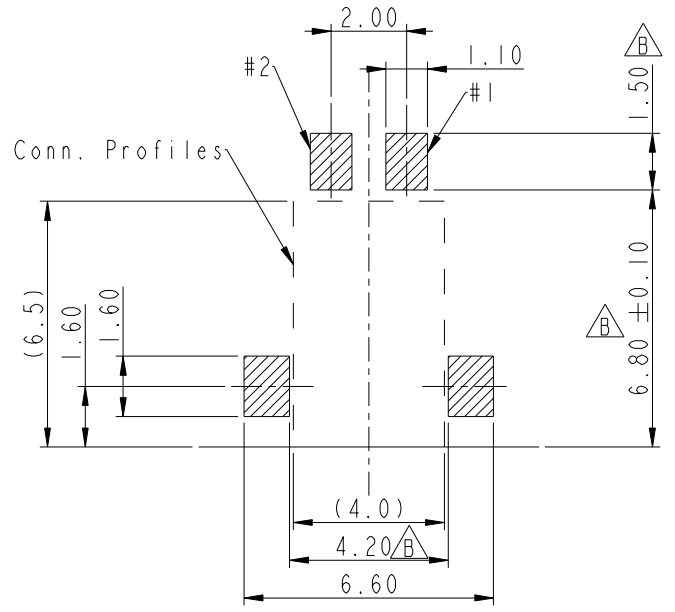
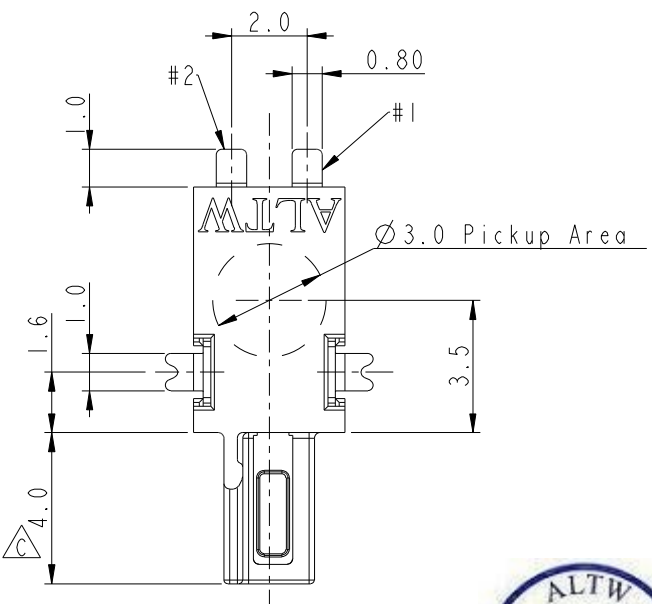
Email & Skype: info@chipsmall.com Web: www.chipsmall.com

Address: A1208, Overseas Decoration Building, #122 Zhenhua RD., Futian, Shenzhen, China

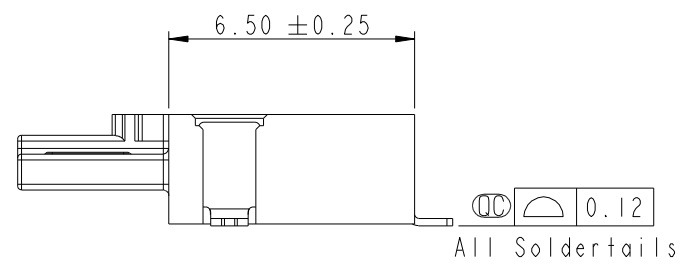
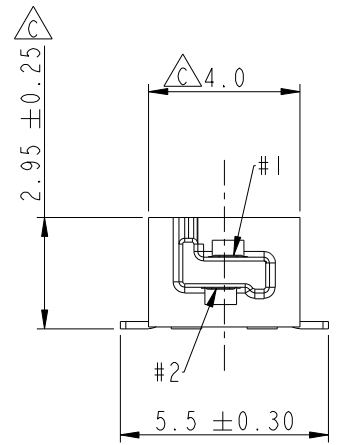


THIS DOCUMENT IS SUBJECT TO CHANGE WITHOUT NOTICE. IT IS CONFIDENTIAL AND A PROPERTY OF AMPHENOL LTW. DISCLOSURE TO THIRD PARTY HAS TO BE AUTHORIZED BY AMPHENOL LTW.

REV.	ECN NO.	DATE	SIGN	DESCRIPTION
A	Initial Release	2012-12-06	Fisher	Initial Release
B	LEN1310199	2013-02-20	Fisher	Change Plating and PCB Layout
C	LE313C0099	2013-12-16	Fisher	Change Plating and Dimensions



RECOMMENDED P.C.B. LAYOUT  
GENERAL TOLERANCE IS ±0.05



- Notes:
- \* Important Dimension To Check.
  - \* Housing: High temperature thermoplastic. UL94V-0, color is Natural white.
  - \* Terminal: Copper Alloy, Gold Plated on contact area. Tin plated on solder tails.
  - \* Solder Peg: Copper Alloy, Tin plated over Nickel.

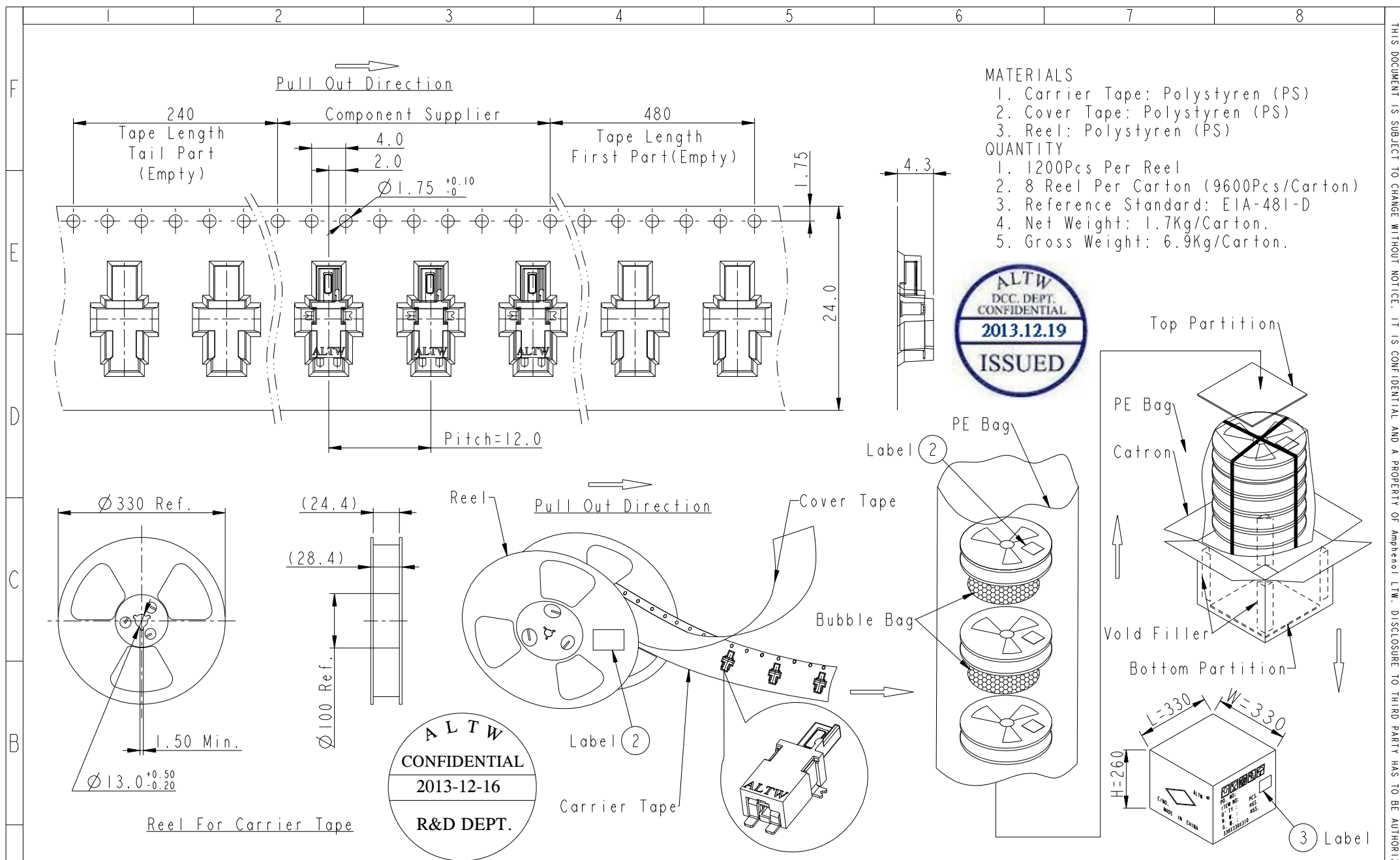
UNIT: mm	
TOLERANCE	
.X	±0.25
.XX	±0.1
.XXX	±0.05
ANGLES	±1°

TITLE SSL-1.1 DCPLUG CONNECTOR 2-POS. W/O POST, SMT TYPE			
SCALE	SIZE	SHEET	OF
5:1	A4	1	2
REV.	WC-REV.	QC: Inspection item	
C	C.2		

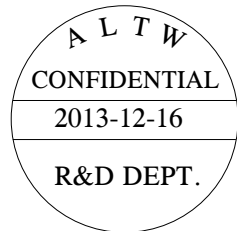
**Amphenol LTW**  
安費諾亮泰企業股份有限公司

ITEM NO	SSLI1-P2D00-000001	DRAWN BY	Fisher_Wang	DATE	2013-12-16
DWG NO	SSLI1-P2D00-000001	CHECKED BY	Ivan_Lin	DATE	2013-12-16
CUSTOMER	ALTW	APPROVED BY	Kevin_Hu	DATE	2013-12-16

THIS DOCUMENT IS SUBJECT TO CHANGE WITHOUT NOTICE. IT IS CONFIDENTIAL AND A PROPERTY OF Amphenol LTW. DISCLOSURE TO THIRD PARTY HAS TO BE AUTHORIZED BY Amphenol LTW.

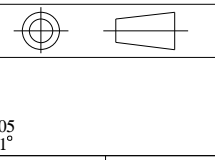


- MATERIALS**
- Carrier Tape: Polystyren (PS)
  - Cover Tape: Polystyren (PS)
  - Reel: Polystyren (PS)
- QUANTITY**
- 1200Pcs Per Reel
  - 8 Reel Per Carton (9600Pcs/Carton)
  - Reference Standard: EIA-481-D
  - Net Weight: 1.7Kg/Carton.
  - Gross Weight: 6.9Kg/Carton.



**UNIT:mm**

TOLERANCE  
.X ±0.25  
.XX ±0.1  
.XXX ±0.05  
ANGLES ±1°



TITLE SSL-1.1 DC PLUG CONNECTOR 2-POS. W/O POST, SMT TYPE			
SCALE 5:1	SIZE A4	SHEET 2 OF 2	
REV. C	WC-REV. A.7	QC: Inspection item	

**Amphenol LTW**  
安費諾亮泰企業股份有限公司

ITEM NO SSL11-P2D00-000001	DRAWN BY Fisher_Wang	DATE 2013-12-16
DWG NO SSL11-P2D00-000001	CHECKED BY Ivan_Lin	DATE 2013-12-16
CUSTOMER ALTW	APPROVED BY Kevin_Hu	DATE 2013-12-16

DATE 2013-12-16
DATE 2013-12-16
DATE 2013-12-16