



Chipsmall Limited consists of a professional team with an average of over 10 year of expertise in the distribution of electronic components. Based in Hongkong, we have already established firm and mutual-benefit business relationships with customers from,Europe,America and south Asia,supplying obsolete and hard-to-find components to meet their specific needs.

With the principle of "Quality Parts,Customers Priority,Honest Operation,and Considerate Service",our business mainly focus on the distribution of electronic components. Line cards we deal with include Microchip,ALPS,ROHM,Xilinx,Pulse,ON,Everlight and Freescale. Main products comprise IC,Modules,Potentiometer,IC Socket,Relay,Connector.Our parts cover such applications as commercial,industrial, and automotives areas.

We are looking forward to setting up business relationship with you and hope to provide you with the best service and solution. Let us make a better world for our industry!



Contact us

Tel: +86-755-8981 8866 Fax: +86-755-8427 6832

Email & Skype: info@chipsmall.com Web: www.chipsmall.com

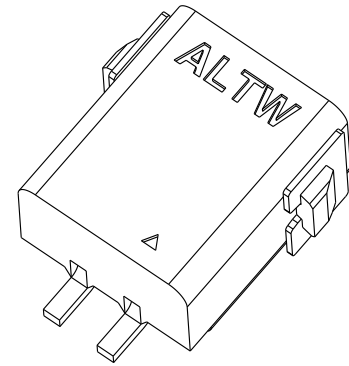
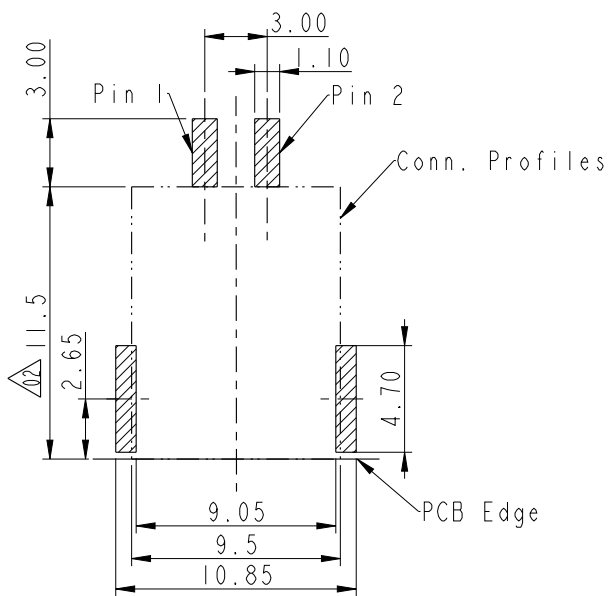
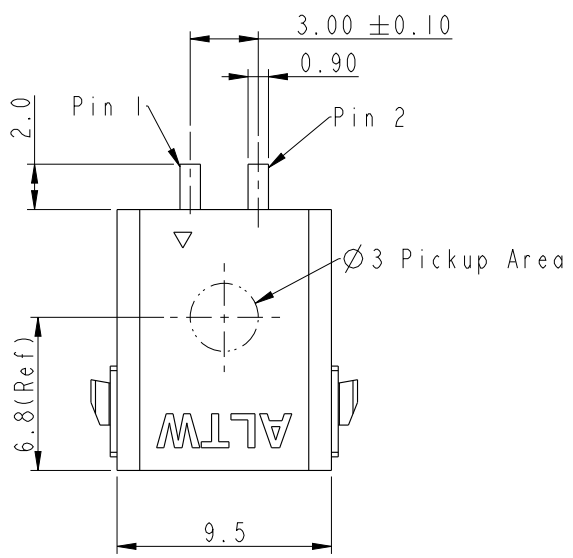
Address: A1208, Overseas Decoration Building, #122 Zhenhua RD., Futian, Shenzhen, China



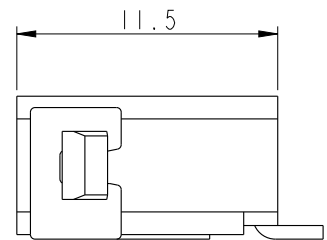
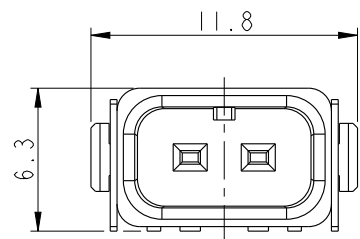
REV.	ECN NO.	DATE	SIGN	DESCRIPTION
A	Initial Release	2014/07/31	Cary	Change To Rev. A

ALTW
CONFIDENTIAL
2014-07-31
R&D DEPT.



ALTW
DCC. DEPT.
CONFIDENTIAL
2014.08.12
ISSUED



RECOMMENDED PCB LAYOUT
GENERAL TOLERANCE IS ±0.05



- Notes:
- * \varnothing Important Dimension To Check.
 - * Waterproof Rate: IP68(mating)
1M Depth Of Water In 24 Hours.
 - * Housing: High temperature thermoplastic.
UL94V-0, color is natural white.
 - * Terminal: Copper Alloy, Gold plated on contact area.
 - * Solder Peg: Copper Alloy, Tin plated over Nickel.
 - * Current Rating: 5A maximum.
 - * Voltage Rating: 250V DC/AV maximum.
 - * Operating Temperature: -40~+105°C

UNIT: mm  
TOLERANCE
±0.5mm

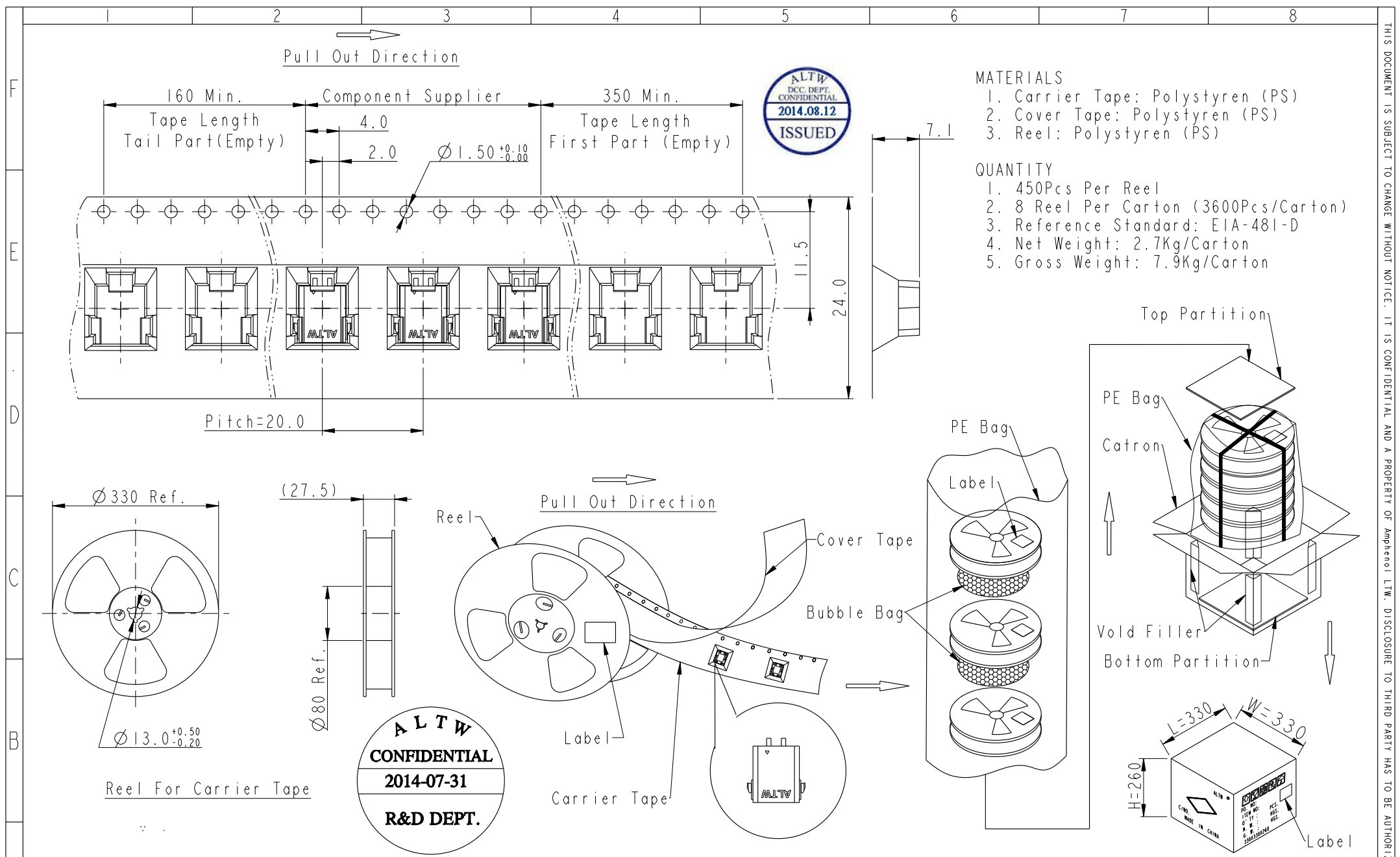
TITLE SSL1.2 2P R/A SMT JACK CONN.			
SCALE 3:1	SIZE A4	SHEET 1 OF 2	
REV. A	WC-REV. A.4	\varnothing : Inspection item	

Amphenol LTW
安費諾亮泰企業股份有限公司

ITEM NO. SSL12-J2D00-000001	DRAWN BY Cary_liu	DATE 2014-07-31
DWG NO. SSL12-J2D00-000001	CHECKED BY Fisher	DATE 2014-07-31
CUSTOMER ALTW	APPROVED BY Jerry	DATE 2014-07-31

THIS DOCUMENT IS SUBJECT TO CHANGE WITHOUT NOTICE. IT IS CONFIDENTIAL AND A PROPERTY OF Amphenol LTW. DISCLOSURE TO THIRD PARTY HAS TO BE AUTHORIZED BY Amphenol LTW.

THIS DOCUMENT IS SUBJECT TO CHANGE WITHOUT NOTICE. IT IS CONFIDENTIAL AND A PROPERTY OF Amphenol LTW. DISCLOSURE TO THIRD PARTY HAS TO BE AUTHORIZED BY Amphenol LTW.



- MATERIALS**
- Carrier Tape: Polystyren (PS)
 - Cover Tape: Polystyren (PS)
 - Reel: Polystyren (PS)
- QUANTITY**
- 450Pcs Per Reel
 - 8 Reel Per Carton (3600Pcs/Carton)
 - Reference Standard: EIA-481-D
 - Net Weight: 2.7Kg/Carton
 - Gross Weight: 7.9Kg/Carton

ALTW
CONFIDENTIAL
2014-07-31
R&D DEPT.

UNIT:mm				TITLE SSL1.2 2P R/A SMT JACK CONN.	Amphenol LTW 安費諾亮泰企業股份有限公司	ITEM NO SSL12-J2D00-000001	DRAWN BY Cary_liu	DATE 2014-07-31
TOLERANCE ±0.5mm				SCALE 3:1	SIZE A4	SHEET 2 OF 2	CHECKED BY Fisher	DATE 2014-07-31
				REV. A	WC-REV. A.4	◎: Inspection item	APPROVED BY Jerry	DATE 2014-07-31
						CUSTOMER ALTW		