



Chipsmall Limited consists of a professional team with an average of over 10 year of expertise in the distribution of electronic components. Based in Hongkong, we have already established firm and mutual-benefit business relationships with customers from,Europe,America and south Asia,supplying obsolete and hard-to-find components to meet their specific needs.

With the principle of “Quality Parts,Customers Priority,Honest Operation,and Considerate Service”,our business mainly focus on the distribution of electronic components. Line cards we deal with include Microchip,ALPS,ROHM,Xilinx,Pulse,ON,Everlight and Freescale. Main products comprise IC,Modules,Potentiometer,IC Socket,Relay,Connector.Our parts cover such applications as commercial,industrial, and automotives areas.

We are looking forward to setting up business relationship with you and hope to provide you with the best service and solution. Let us make a better world for our industry!



Contact us

Tel: +86-755-8981 8866 Fax: +86-755-8427 6832

Email & Skype: info@chipsmall.com Web: www.chipsmall.com

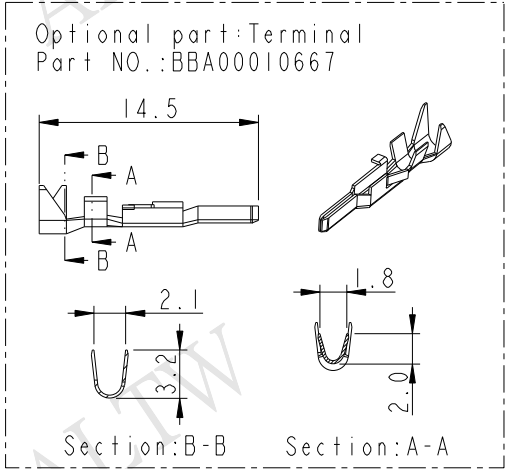
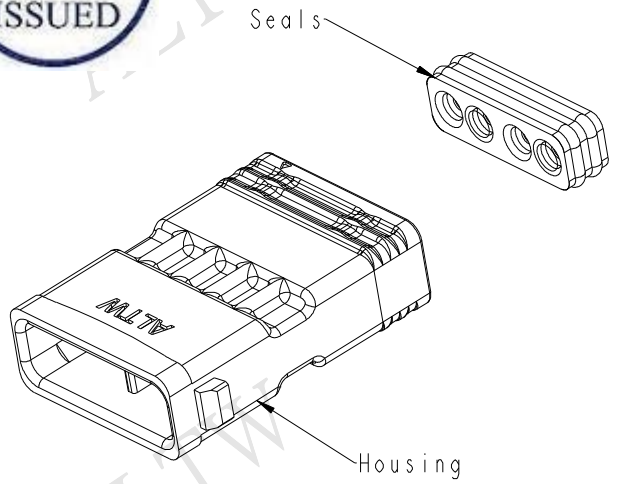
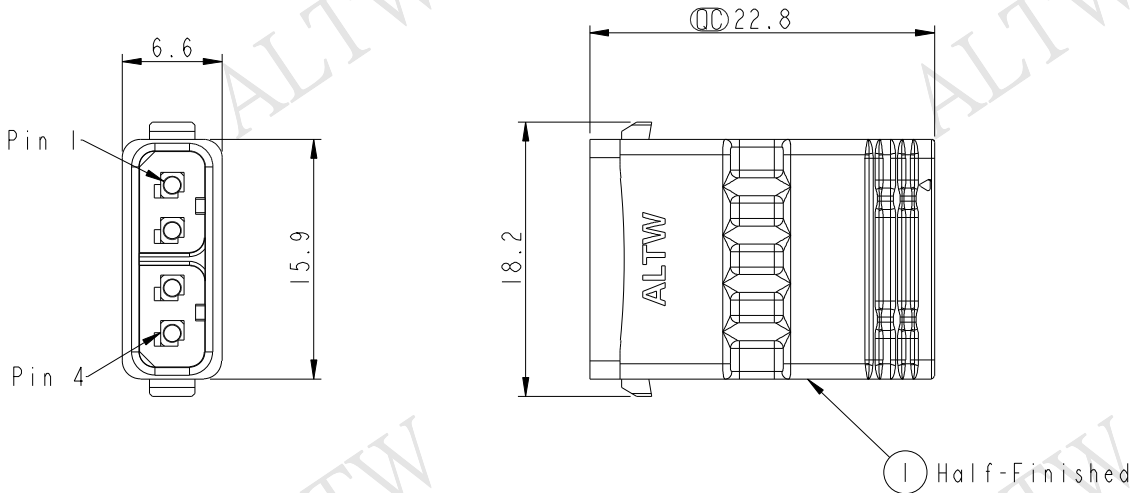
Address: A1208, Overseas Decoration Building, #122 Zhenhua RD., Futian, Shenzhen, China



REV.	ECN NO.	DATE	SIGN	DESCRIPTION
A	Initial Release	2015-04-15	Fisher	Initial Release
B	LEN1620284	2016-03-02	Fisher	Update Label

ALTW
CONFIDENTIAL
2016-03-02
R&D DEPT.

ALTW
DCC. DEPT.
CONFIDENTIAL
2016.03.04
ISSUED



- Notes:
- * \varnothing Important Dimension To Check.
 - * Waterproof Rate: IP68(mating).
1M Depth Of Water In 24 Hours.
 - * Housing: Thermoplastic, UL94V-0, Natural White.
 - * Seals: Silicone, Gray.
 - * Current Rating: 5A maximum.
 - * Applicable Wire Range: UL1430, 20~22AWG
 - * Voltage Rating: 250V AC/DC maximum.
 - * Operating Temperature: -40~+105°C
 - * Applicable terminal: BBA00010667

UNIT:mm			TITLE SSL1.2 4P F Conn. Field Installable
TOLERANCE ±0.5mm	SCALE 2:1	SIZE A4	SHEET 1 OF 2
REV. B	WC-REV. A.4	\varnothing : Inspection item	

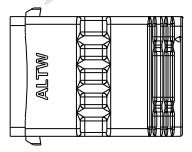
Amphenol LTW
安費諾亮泰企業股份有限公司

ITEM NO SSL12-J4FJ0-000001	DRAWN BY Fisher_Wang	DATE 2016-03-02
DWG NO SSL12-J4FJ0-000001	CHECKED BY Victor_Hung	DATE 2016-03-02
CUSTOMER ALTW	APPROVED BY Kevin_Hu	DATE 2016-03-02

THIS DOCUMENT IS SUBJECT TO CHANGE WITHOUT NOTICE. IT IS CONFIDENTIAL AND A PROPERTY OF AMPHENOL LTW. DISCLOSURE TO THIRD PARTY HAS TO BE AUTHORIZED BY AMPHENOL LTW.

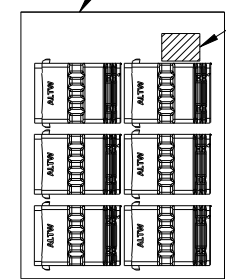
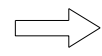
THIS DOCUMENT IS SUBJECT TO CHANGE WITHOUT NOTICE. IT IS CONFIDENTIAL AND A PROPERTY OF Amphenol LTW. DISCLOSURE TO THIRD PARTY HAS TO BE AUTHORIZED BY Amphenol LTW.

Packing

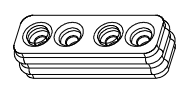


Housing

x 250PCS

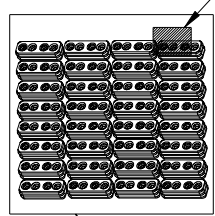
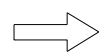


x 5PCS

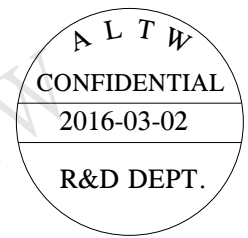


Seals

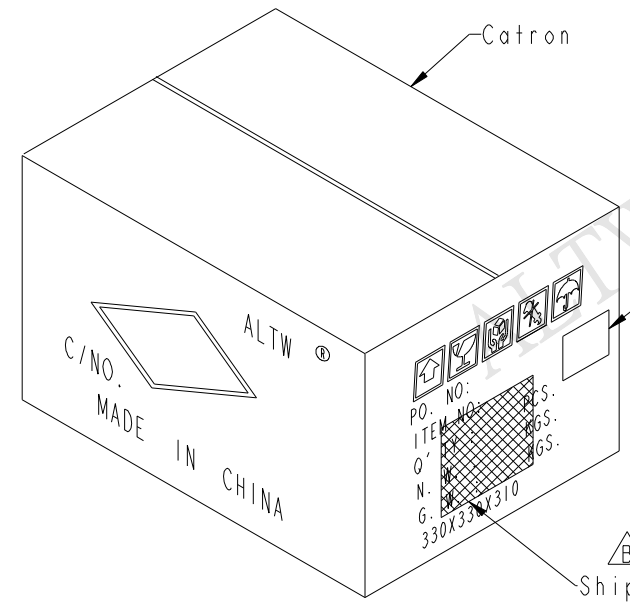
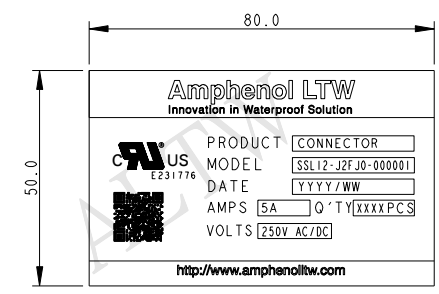
x 250PCS



x 5PCS



Print content of Label

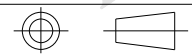


Label

Shipping Mark

- QUANTITY
1. 1250Set Per Carton
 2. Net Weight: 2.0Kg/Carton.
 3. Gross Weight: 2.6Kg/Carton.
 4. Each box put a assembly instruction

UNIT:mm
TOLERANCE
±0.5mm



TITLE SSL1.2 4P F Conn. Field Installable			
SCALE 2:1	SIZE A4	SHEET 2 OF 2	
REV. B	WC-REV. A.4	: Inspection item	

Amphenol LTW
安費諾亮泰企業股份有限公司

ITEM NO SSL12-J4FJ0-000001	DRAWN BY Fisher_Wang	DATE 2016-03-02
DWG NO SSL12-J4FJ0-000001	CHECKED BY Victor_Hung	DATE 2016-03-02
CUSTOMER ALTW	APPROVED BY Kevin_Hu	DATE 2016-03-02

PO. NO:	PCS.
ITEM NO:	PCS.
N.:	PCS.
G.:	PCS.

330X330X310
