



Chipsmall Limited consists of a professional team with an average of over 10 year of expertise in the distribution of electronic components. Based in Hongkong, we have already established firm and mutual-benefit business relationships with customers from,Europe,America and south Asia,supplying obsolete and hard-to-find components to meet their specific needs.

With the principle of “Quality Parts,Customers Priority,Honest Operation,and Considerate Service”,our business mainly focus on the distribution of electronic components. Line cards we deal with include Microchip,ALPS,ROHM,Xilinx,Pulse,ON,Everlight and Freescale. Main products comprise IC,Modules,Potentiometer,IC Socket,Relay,Connector.Our parts cover such applications as commercial,industrial, and automotives areas.

We are looking forward to setting up business relationship with you and hope to provide you with the best service and solution. Let us make a better world for our industry!



Contact us

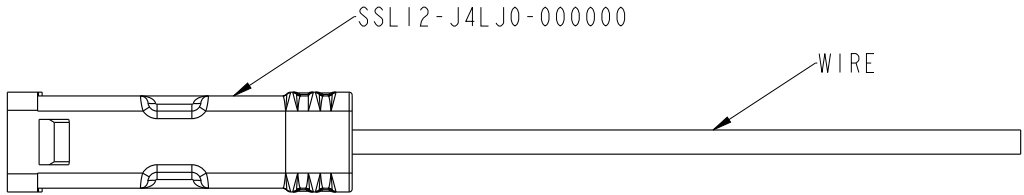
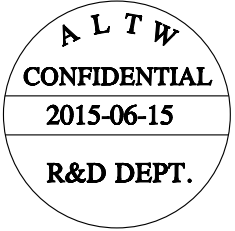
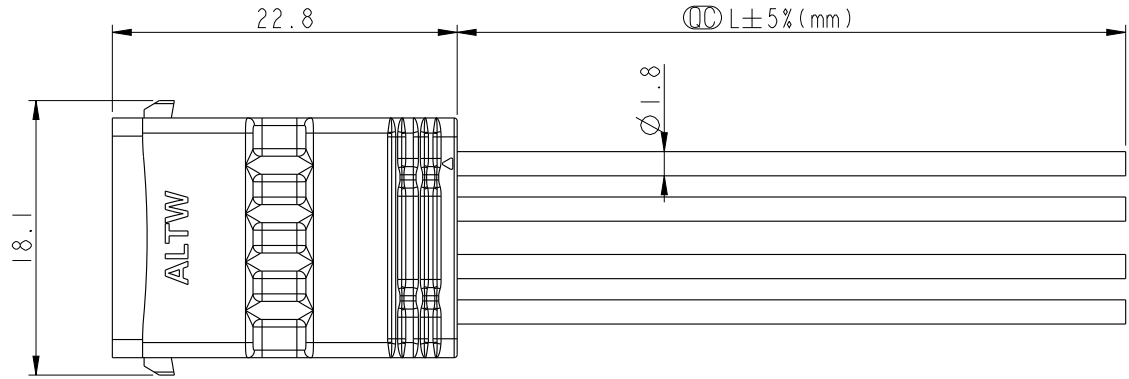
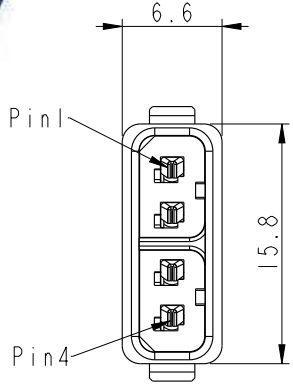
Tel: +86-755-8981 8866 Fax: +86-755-8427 6832

Email & Skype: info@chipsmall.com Web: www.chipsmall.com

Address: A1208, Overseas Decoration Building, #122 Zhenhua RD., Futian, Shenzhen, China



REV.	ECN NO.	DATE	SIGN	DESCRIPTION
A	Initial Release	2015-03-16	Fisher	Initial Release
B	LEN1560330	2015-06-15	Fisher	Change the package



SSL12-J4LJ0-020AXX

- 01: L=100±20mm
- 02: L=200±20mm
- 04: L=400±25mm
- Wire Length Range(L): 100~9900mm
- 20: 20AWG

- Notes:
- * \varnothing Important Dimension To Check.
 - * Waterproof Rate: IP68(mating)
IM Depth Of Water In 24 Hours.
 - * Housing: Thermoplastic, UL94V-0, Natural White.
 - * Terminal: Copper Alloy, Gold Plated on contact area.
 - * Seals: Silicone, Gray.
 - * Wire: UL1430 20AWG.
 - * Current Rating : 5A maximum.
 - * Voltage Rating: 250V DC/AC maximum.
 - * Operating Temperature: -40~+105°C.

4	Yellow	黃
3	Orange	橙
2	Red	紅
1	Brown	棕
Conn.	Wire	
Pin-out		

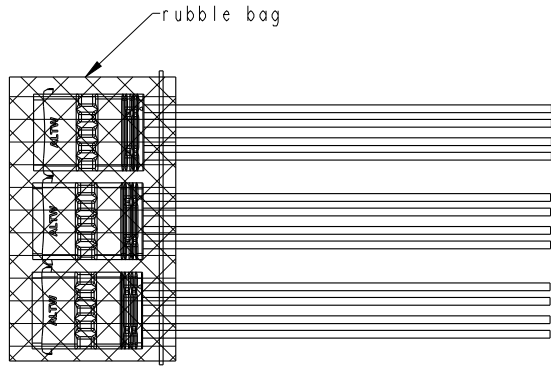
UNIT:mm	TOLERANCE	TITLE
$\pm 0.5mm$	\varnothing	SSL1.2 4P WIRE ASS'Y JACK TO OPEN
SCALE 1:1	SIZE A4	SHEET 1 OF 2
REV. B	WC-REV. A.5	\varnothing : Inspection item

Amphenol LTW
安費諾亮泰企業股份有限公司

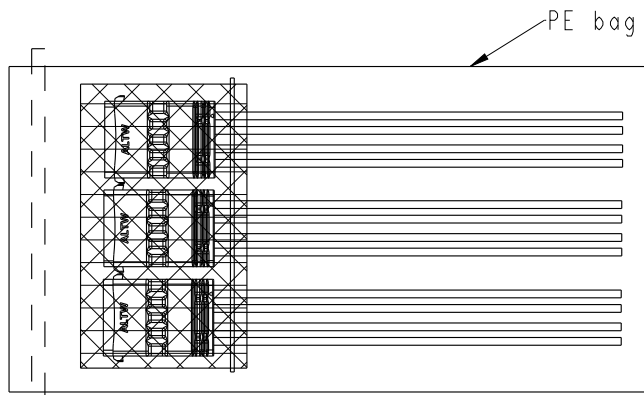
ITEM NO	DRAWN BY	DATE
	Fisher_Wang	2015-06-15
DWG NO	CHECKED BY	DATE
SSL12-J4LJ0-020AXX	Victor_Hung	2015-06-15
CUSTOMER	APPROVED BY	DATE
ALTW	Kevin_Hu	2015-06-15

THIS DOCUMENT IS SUBJECT TO CHANGE WITHOUT NOTICE. IT IS CONFIDENTIAL AND A PROPERTY OF AMPHENOL LTW. DISCLOSURE TO THIRD PARTY HAS TO BE AUTHORIZED BY AMPHENOL LTW.

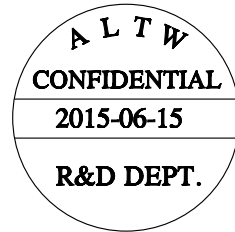
PACKAGE



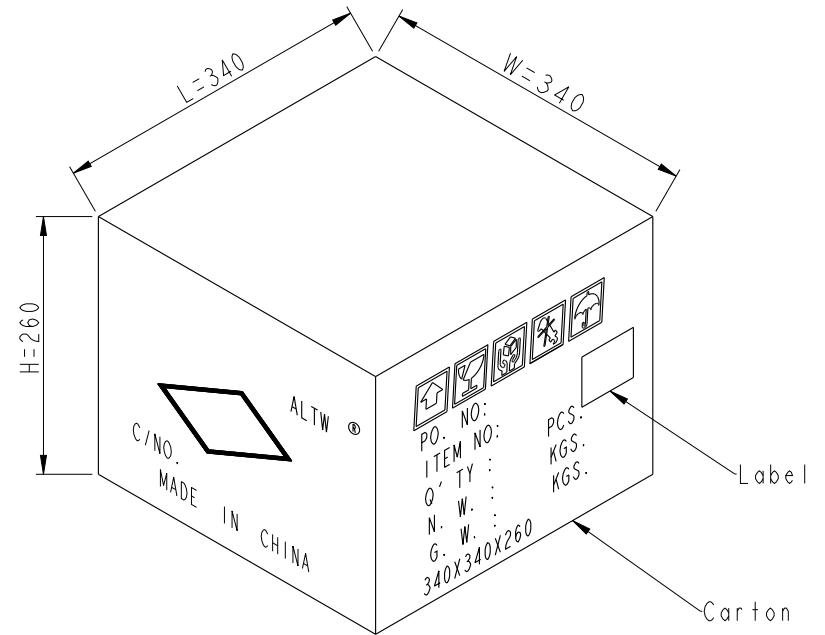
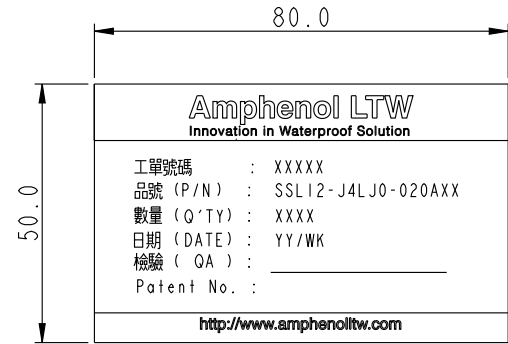
10pcs connector put on rubble bag, and with a cable ties.



100 Pcs Cable into a PE Bag



Label print content



500pcs per Carton

UNIT:mm		TITLE	SSL1.2 4P WIRE ASS'Y PLUG TO OPEN		
TOLERANCE	±0.5mm	SCALE	1:1	SIZE	A4
		REV.	B	WC-REV.	A.5
		SHEET	2	OF	2
		◎: Inspection item			

Amphenol LTW
安費諾亮泰企業股份有限公司

ITEM NO	DRAWN BY	DATE
	Fisher_Wang	2015-06-15
DWG NO	CHECKED BY	DATE
SSL12-J4LJ0-020AXX	Victor_Hung	2015-06-15
CUSTOMER	APPROVED BY	DATE
ALTW	Kevin_Hu	2015-06-15

THIS DOCUMENT IS SUBJECT TO CHANGE WITHOUT NOTICE. IT IS CONFIDENTIAL AND A PROPERTY OF Amphenol LTW. DISCLOSURE TO THIRD PARTY HAS TO BE AUTHORIZED BY Amphenol LTW.