



Chipsmall Limited consists of a professional team with an average of over 10 year of expertise in the distribution of electronic components. Based in Hongkong, we have already established firm and mutual-benefit business relationships with customers from,Europe,America and south Asia,supplying obsolete and hard-to-find components to meet their specific needs.

With the principle of “Quality Parts,Customers Priority,Honest Operation,and Considerate Service”,our business mainly focus on the distribution of electronic components. Line cards we deal with include Microchip,ALPS,ROHM,Xilinx,Pulse,ON,Everlight and Freescale. Main products comprise IC,Modules,Potentiometer,IC Socket,Relay,Connector.Our parts cover such applications as commercial,industrial, and automotives areas.

We are looking forward to setting up business relationship with you and hope to provide you with the best service and solution. Let us make a better world for our industry!



Contact us

Tel: +86-755-8981 8866 Fax: +86-755-8427 6832

Email & Skype: info@chipsmall.com Web: www.chipsmall.com

Address: A1208, Overseas Decoration Building, #122 Zhenhua RD., Futian, Shenzhen, China

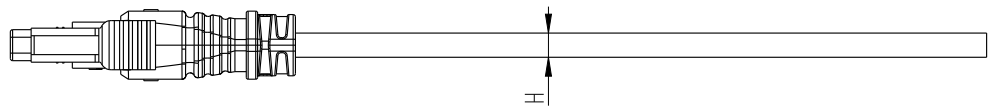
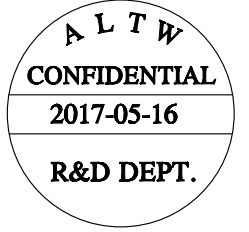
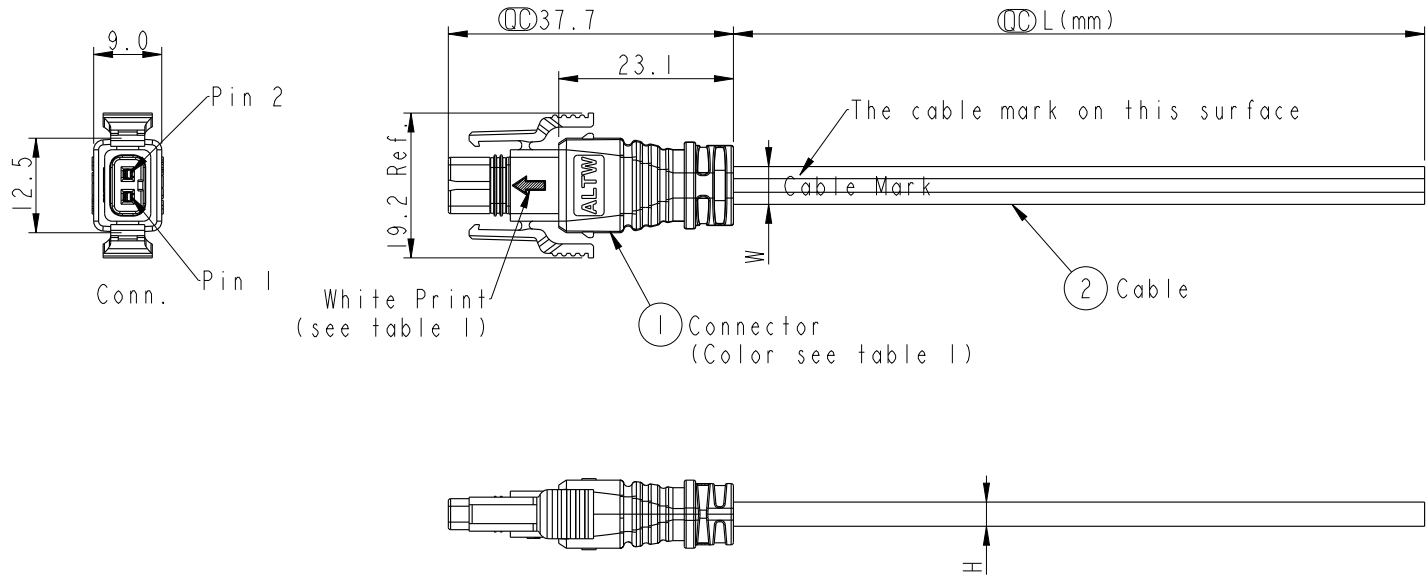


THIS DOCUMENT IS SUBJECT TO CHANGE WITHOUT NOTICE. IT IS CONFIDENTIAL AND A PROPERTY OF Amphenol LTW. DISCLOSURE TO THIRD PARTY HAS TO BE AUTHORIZED BY Amphenol LTW.

REV.	ECN NO.	DATE	SIGN	DESCRIPTION
A	Initial Release	2017-05-16	Fisher Wang	Rev. 01 to A

Table 1:

P/N.	connector	Cable	White Print
SSL12-P2LP0-MXXFXX	White	White	Without
SSL12-P2LP0-MXXHXX	Black	Black	With

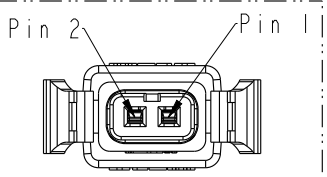


SSL12-P2LP0-MXX X XX

- XX: 1M~99M
- 01: 1M
- 02: 2M
- ...
- 99: 99M
- F: White
- H: Black

- Cable Length Tolerance:
- 01M: ±40mm
 - 02M~06M: ±60mm
 - 06M~10M: ±100mm
 - 11M~30M: ±200mm
 - 31M~99M: ±500mm

- Notes:
- * (Circled symbol) Important Dimension To Check.
 - * Current Rating: 5A
 - * Voltage Rating: 300V DC/AC
 - * Waterproof Rate: IP68(mating)
1M Depth Of Water In 24 Hours.
 - * Housing: Thermoplastic, UL94V-0, color see table 1.
 - * Terminal: Copper Alloy, Gold Plated.
 - * Gasket: Silicone, Gray.
 - * Seals: Silicone, Gray.
 - * Cable: UL21996, Flat Cable, UV Resistance, color see table 1.
 - * Temperature Range: -40~+105°C



2	Red	紅
1	Brown	棕
Conn	Wire Color	
Pin Out		

UNIT:mm	
±0.5	

TITLE SSL1.2 2P, PLUG CONN+FLAT CABLE			
SCALE Free	SIZE A4	SHEET 1 OF 1	
REV. A	WC-REV. A.6	QC: Inspection item	

Amphenol LTW
安費諾亮泰企業股份有限公司

ITEM NO	DRAWN BY Fisher Wang	DATE 2017-05-16
DWG NO SSL12-P2LP0-MXXXXX	CHECKED BY Victor Hung	DATE 2017-05-16
CUSTOMER ALTW	APPROVED BY Kevin Hu	DATE 2017-05-16