



Chipsmall Limited consists of a professional team with an average of over 10 year of expertise in the distribution of electronic components. Based in Hongkong, we have already established firm and mutual-benefit business relationships with customers from,Europe,America and south Asia,supplying obsolete and hard-to-find components to meet their specific needs.

With the principle of “Quality Parts,Customers Priority,Honest Operation,and Considerate Service”,our business mainly focus on the distribution of electronic components. Line cards we deal with include Microchip,ALPS,ROHM,Xilinx,Pulse,ON,Everlight and Freescale. Main products comprise IC,Modules,Potentiometer,IC Socket,Relay,Connector.Our parts cover such applications as commercial,industrial, and automotives areas.

We are looking forward to setting up business relationship with you and hope to provide you with the best service and solution. Let us make a better world for our industry!



## Contact us

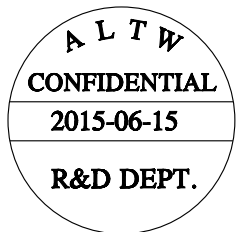
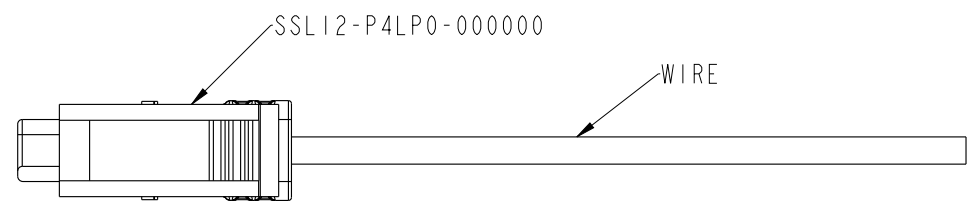
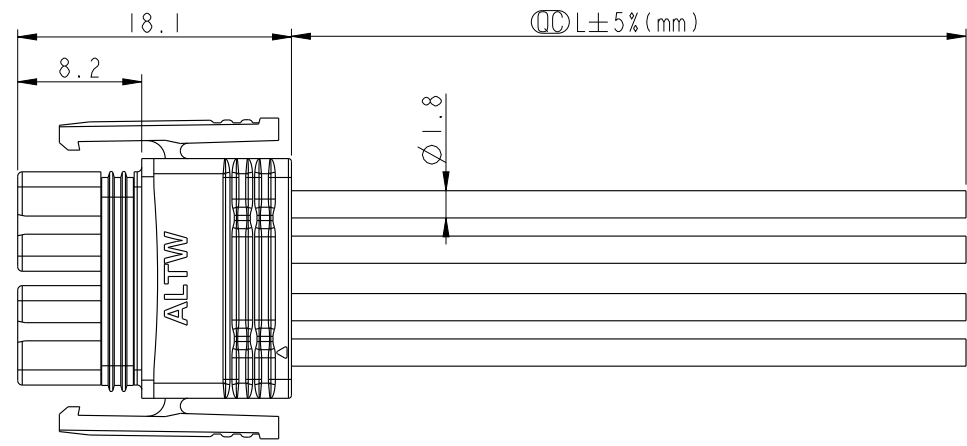
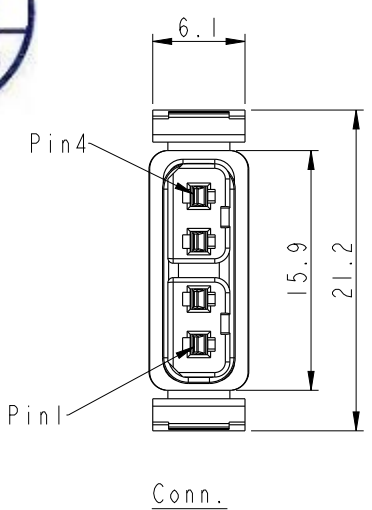
Tel: +86-755-8981 8866 Fax: +86-755-8427 6832

Email & Skype: info@chipsmall.com Web: www.chipsmall.com

Address: A1208, Overseas Decoration Building, #122 Zhenhua RD., Futian, Shenzhen, China



| REV. | ECN NO.         | DATE       | SIGN   | DESCRIPTION        |
|------|-----------------|------------|--------|--------------------|
| A    | Initial Release | 2015-03-16 | Fisher | Initial Release    |
| B    | LEN1560331      | 2015-06-15 | Fisher | Change the package |



SSL12-P4LP0-M20AXX

- 01: L=100±20mm
- 02: L=200±20mm
- 04: L=400±25mm
- Wire Length Range(L): 100~9900mm
- 20: 20AWG

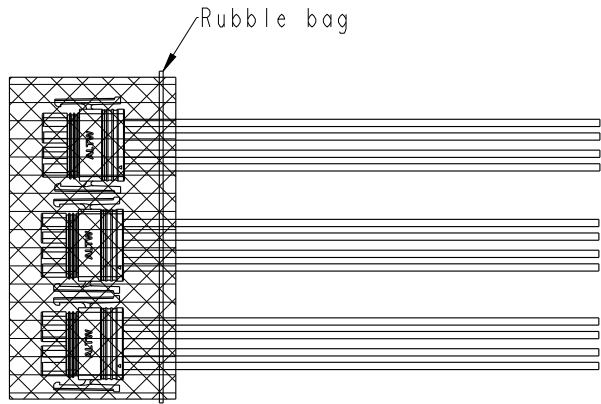
- Notes:
- \*  $\varnothing$  Important Dimension To Check.
  - \* Waterproof Rate: IP68(mating).  
1M Depth Of Water In 24 Hours.
  - \* Housing: Thermoplastic, UL94V-0, Natural White.
  - \* Terminal: Copper Alloy, Gold Plated on contact area.
  - \* Gasket: Silicone, Gray.
  - \* Seals: Silicone, Gray.
  - \* Wire: UL1430 20AWG.
  - \* Current Rating : 5A maximum.
  - \* Voltage Rating: 250V DC/AC maximum.
  - \* Operating Temperature: -40~+105°C.

|         |        |   |
|---------|--------|---|
| 4       | Yellow | 黃 |
| 3       | Orange | 橙 |
| 2       | Red    | 紅 |
| 1       | Brown  | 棕 |
| Conn.   | Wire   |   |
| Pin-out |        |   |

| UNIT:mm |  | TOLERANCE     |  | TITLE  |  |  | ITEM NO                   |  | DRAWN BY               |  | DATE            |  |
|---------|--|---------------|--|--|--|--|---------------------------|--|------------------------|--|-----------------|--|
| ±0.5mm  |  | $\varnothing$ |  | SSL1.2 4P WIRE ASS'Y PLUG TO OPEN                |  |  | Amphenol LTW              |  | Fisher_Wang            |  | 2015-06-15      |  |
|         |  |               |  | SCALE 1:1 SIZE A4 SHEET 1 OF 2                   |  |  | DWG NO SSL12-P4LP0-M20AXX |  | CHECKED BY Victor_Hung |  | DATE 2015-06-15 |  |
|         |  |               |  | REV. B WC-REV. A.6 $\varnothing$ Inspection item |  |  | CUSTOMER ALTW             |  | APPROVED BY Kevin_Hu   |  | DATE 2015-06-15 |  |
|         |  |               |  |  |  |  | 安費諾亮泰企業股份有限公司             |  |                        |  |                 |  |

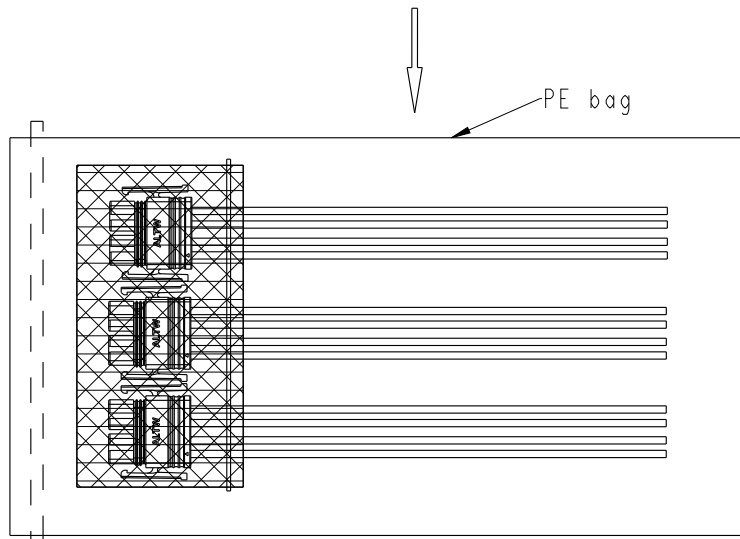
THIS DOCUMENT IS SUBJECT TO CHANGE WITHOUT NOTICE. IT IS CONFIDENTIAL AND A PROPERTY OF Amphenol LTW. DISCLOSURE TO THIRD PARTY HAS TO BE AUTHORIZED BY Amphenol LTW.

**PACKAGE**



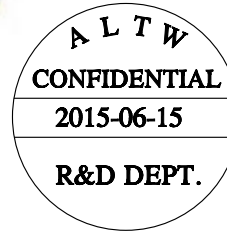
Rubble bag

10pcs connector put on rubble bag, and with a cable ties.

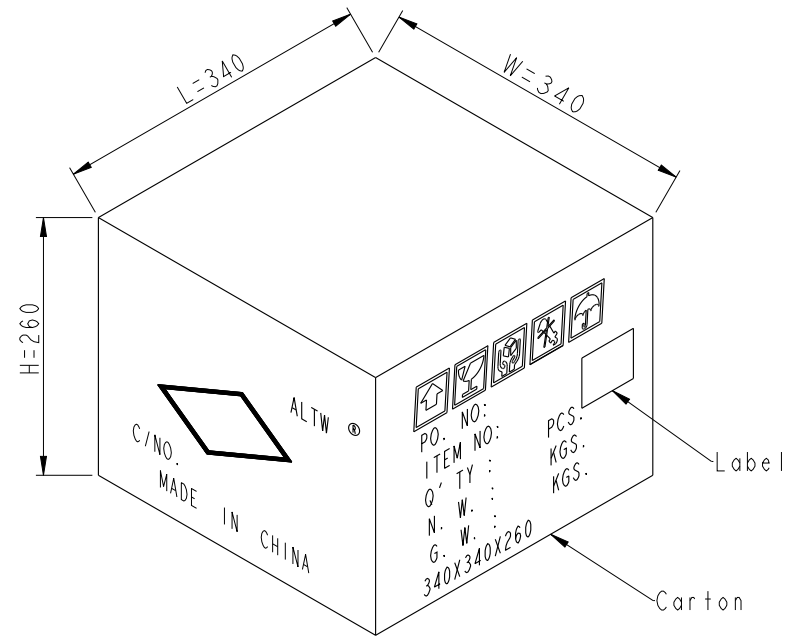
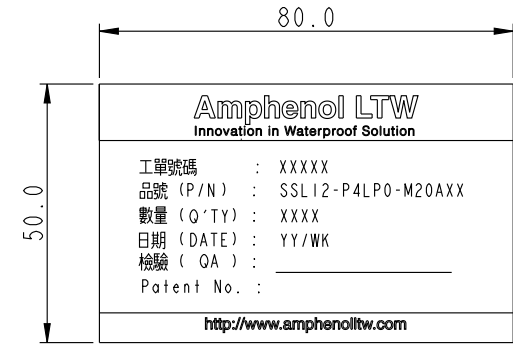


PE bag

100 Pcs Cable into a PE Bag

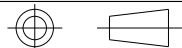


Label print content



500pcs per Carton

UNIT:mm



TOLERANCE

±0.5mm

|  |                |                     |  |
|--|----------------|---------------------|--|
| TITLE<br>SSL1.2 4P WIRE ASS'Y PLUG TO OPEN |                |                     |  |
| SCALE<br>1:1                               | SIZE<br>A4     | SHEET<br>2 OF 2     |  |
| REV.<br>B                                  | WC-REV.<br>A.6 | QC: Inspection item |  |

**Amphenol LTW**  
安費諾亮泰企業股份有限公司

|                              |                           |                    |
|------------------------------|---------------------------|--------------------|
| ITEM NO                      | DRAWN BY<br>Fisher_Wang   | DATE<br>2015-06-15 |
| DWG NO<br>SSL12-P4LP0-M20AXX | CHECKED BY<br>Victor_Hung | DATE<br>2015-06-15 |
| CUSTOMER<br>ALTW             | APPROVED BY<br>Kevin_Hu   | DATE<br>2015-06-15 |

THIS DOCUMENT IS SUBJECT TO CHANGE WITHOUT NOTICE. IT IS CONFIDENTIAL AND A PROPERTY OF Amphenol LTW. DISCLOSURE TO THIRD PARTY HAS TO BE AUTHORIZED BY Amphenol LTW.