



Chipsmall Limited consists of a professional team with an average of over 10 year of expertise in the distribution of electronic components. Based in Hongkong, we have already established firm and mutual-benefit business relationships with customers from,Europe,America and south Asia,supplying obsolete and hard-to-find components to meet their specific needs.

With the principle of “Quality Parts,Customers Priority,Honest Operation,and Considerate Service”,our business mainly focus on the distribution of electronic components. Line cards we deal with include Microchip,ALPS,ROHM,Xilinx,Pulse,ON,Everlight and Freescale. Main products comprise IC,Modules,Potentiometer,IC Socket,Relay,Connector.Our parts cover such applications as commercial,industrial, and automotives areas.

We are looking forward to setting up business relationship with you and hope to provide you with the best service and solution. Let us make a better world for our industry!



## Contact us

Tel: +86-755-8981 8866 Fax: +86-755-8427 6832

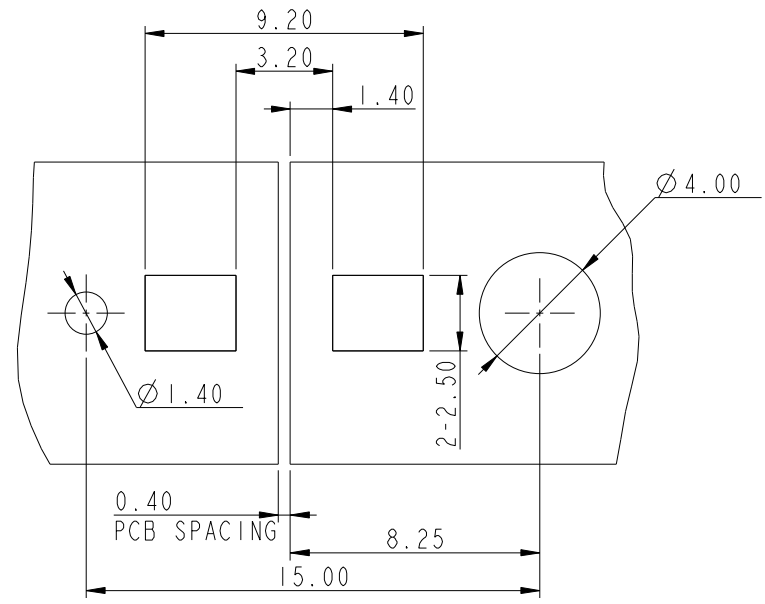
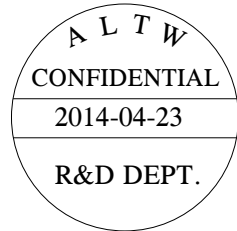
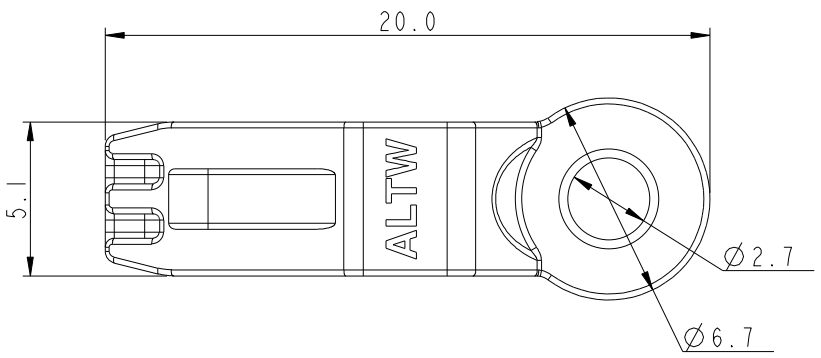
Email & Skype: info@chipsmall.com Web: www.chipsmall.com

Address: A1208, Overseas Decoration Building, #122 Zhenhua RD., Futian, Shenzhen, China

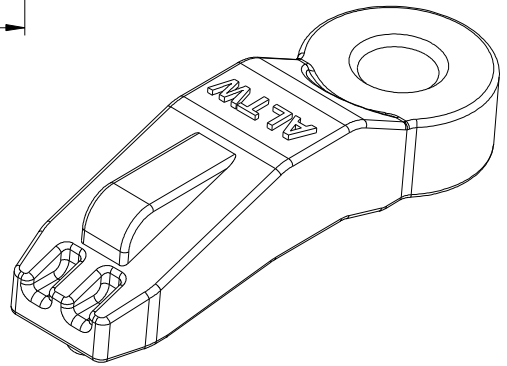
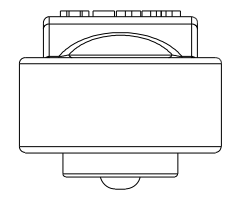
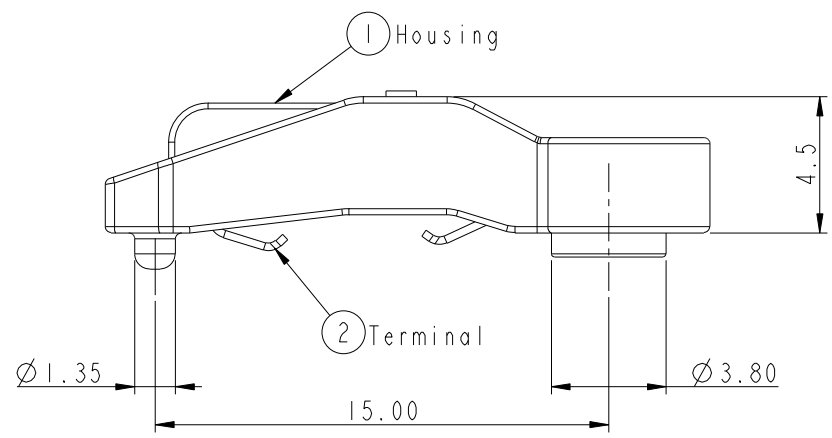


THIS DOCUMENT IS SUBJECT TO CHANGE WITHOUT NOTICE. IT IS CONFIDENTIAL AND A PROPERTY OF AMPHENOL LTW. DISCLOSURE TO THIRD PARTY HAS TO BE AUTHORIZED BY AMPHENOL LTW.

|      |                 |            |        |                 |
|------|-----------------|------------|--------|-----------------|
| REV. | ECN NO.         | DATE       | SIGN   | DESCRIPTION     |
| A    | Initial Release | 2014-04-23 | Fisher | Initial Release |



Recommended PCB Layout  
Tolerance is ±0.05



- Notes
- \* (CC) Important Dimension To Check.
  - \* Housing: Thermoplastic, UL94V-0, White.
  - \* Terminal: Copper Alloy, Gold flash on contact area, Nickel Plated overall.
  - \* Operating temperature: -40°C ~ +105°C.
  - \* Working Voltage: 500V DC/AC maximum.
  - \* Working Current: 5A DC/AC maximum.
  - \* Accepts screw: M2.5 X 0.45
  - \* RoHS Compliant.
  - \* Package: Tube

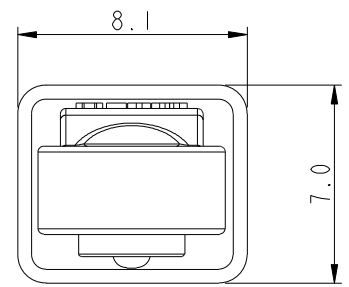
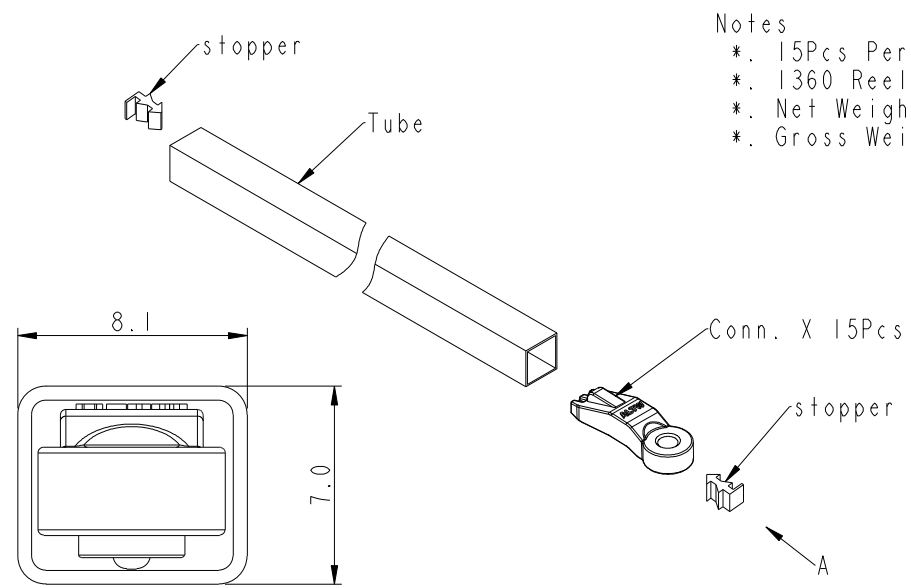
|           |       |  |
|-----------|-------|--|
| UNIT: mm  |       |  |
| TOLERANCE |       |  |
| .X        | ±0.25 |  |
| .XX       | ±0.1  |  |
| .XXX      | ±0.05 |  |
| ANGLES    | ±1°   |  |

|                                       |                |                     |  |
|---------------------------------------|----------------|---------------------|--|
| TITLE<br>SSL1.3 Mini Jumper Connector |                |                     |  |
| SCALE<br>4:1                          | SIZE<br>A4     | SHEET<br>1 OF 2     |  |
| REV.<br>A                             | WC-REV.<br>A.3 | QC: Inspection item |  |

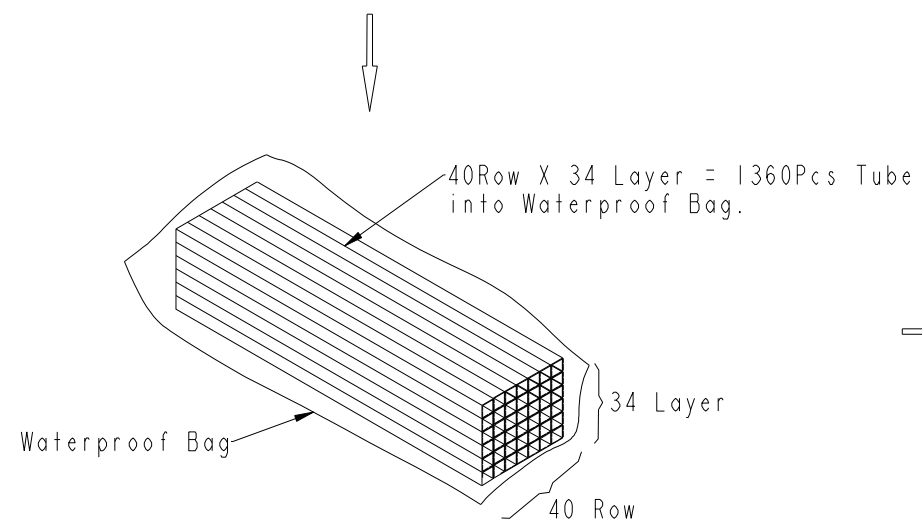
**Amphenol LTW**  
安費諾亮泰企業股份有限公司

|                                |                         |                    |
|--------------------------------|-------------------------|--------------------|
| ITEM NO.<br>SSL13-DIS00-000001 | DRAWN BY<br>Fisher_Wang | DATE<br>2014-04-23 |
| DWG NO.<br>SSL13-DIS00-000001  | CHECKED BY<br>Ivan_Lin  | DATE<br>2014-04-23 |
| CUSTOMER<br>ALTW               | APPROVED BY<br>Kevin_Hu | DATE<br>2014-04-23 |

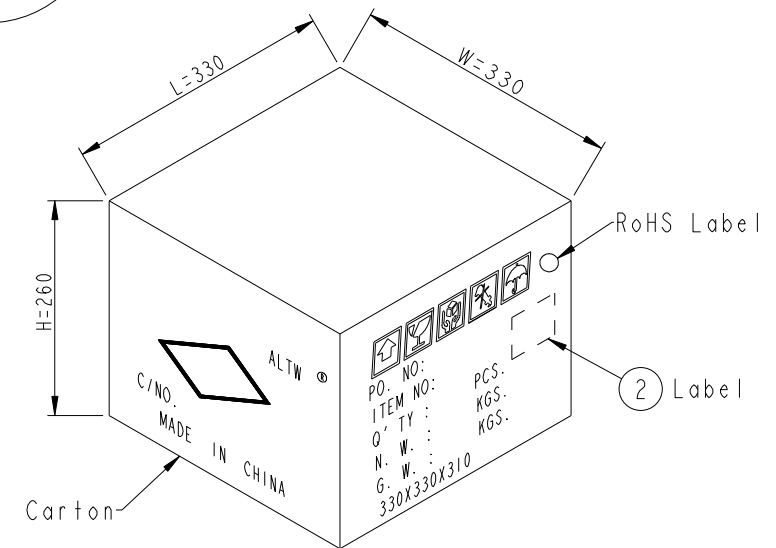
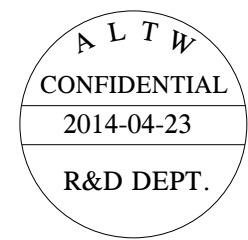
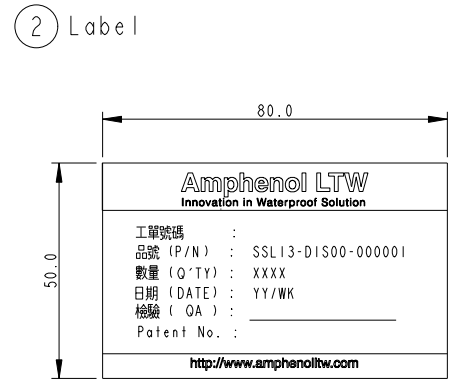
THIS DOCUMENT IS SUBJECT TO CHANGE WITHOUT NOTICE. IT IS CONFIDENTIAL AND A PROPERTY OF Amphenol LTW. DISCLOSURE TO THIRD PARTY HAS TO BE AUTHORIZED BY Amphenol LTW.



View A

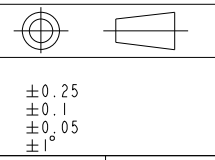


Notes  
 \*. 15Pcs Per Tube  
 \*. 1360 Reel Per Carton (20400Pcs/Carton)  
 \*. Net Weight: 10.8Kg/Carton.  
 \*. Gross Weight: 16.4Kg/Carton.



UNIT: mm

|           |       |
|-----------|-------|
| TOLERANCE |       |
| .X        | ±0.25 |
| .XX       | ±0.1  |
| .XXX      | ±0.05 |
| ANGLES    | ±1°   |



|                         |                |                     |  |
|-------------------------|----------------|---------------------|--|
| TITLE<br>SSL1.3 Package |                |                     |  |
| SCALE<br>4:1            | SIZE<br>A4     | SHEET<br>2 OF 2     |  |
| REV.<br>A               | WC-REV.<br>A.3 | QC: Inspection item |  |

**Amphenol LTW**  
 安費諾亮泰企業股份有限公司

|                                |                         |                    |
|--------------------------------|-------------------------|--------------------|
| ITEM NO.<br>SSL13-DIS00-000001 | DRAWN BY<br>Fisher_Wang | DATE<br>2014-04-23 |
| DWG NO.<br>SSL13-DIS00-000001  | CHECKED BY<br>Ivan_Lin  | DATE<br>2014-04-23 |
| CUSTOMER<br>ALTW               | APPROVED BY<br>Kevin_Hu | DATE<br>2014-04-23 |

|                    |
|--------------------|
| DATE<br>2014-04-23 |
| DATE<br>2014-04-23 |
| DATE<br>2014-04-23 |