



Chipsmall Limited consists of a professional team with an average of over 10 year of expertise in the distribution of electronic components. Based in Hongkong, we have already established firm and mutual-benefit business relationships with customers from,Europe,America and south Asia,supplying obsolete and hard-to-find components to meet their specific needs.

With the principle of "Quality Parts,Customers Priority,Honest Operation,and Considerate Service",our business mainly focus on the distribution of electronic components. Line cards we deal with include Microchip,ALPS,ROHM,Xilinx,Pulse,ON,Everlight and Freescale. Main products comprise IC,Modules,Potentiometer,IC Socket,Relay,Connector.Our parts cover such applications as commercial,industrial, and automotives areas.

We are looking forward to setting up business relationship with you and hope to provide you with the best service and solution. Let us make a better world for our industry!



Contact us

Tel: +86-755-8981 8866 Fax: +86-755-8427 6832

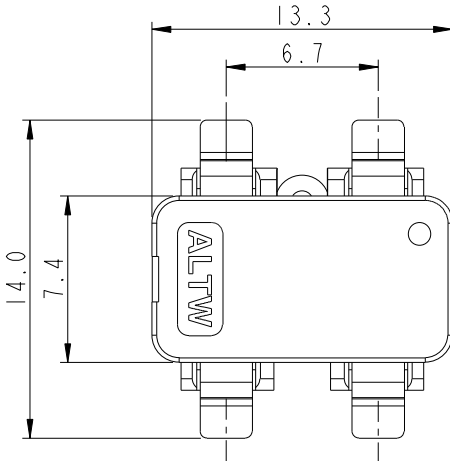
Email & Skype: info@chipsmall.com Web: www.chipsmall.com

Address: A1208, Overseas Decoration Building, #122 Zhenhua RD., Futian, Shenzhen, China

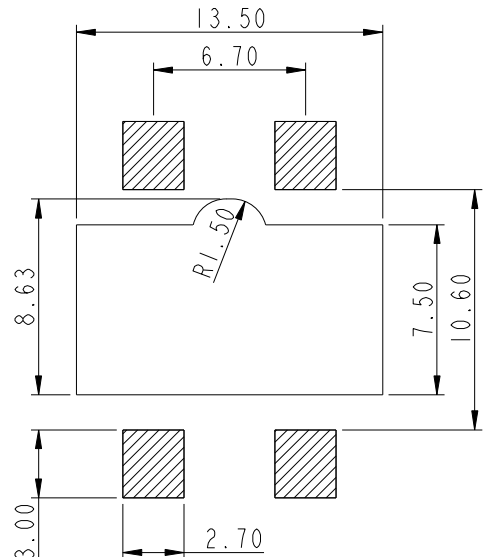
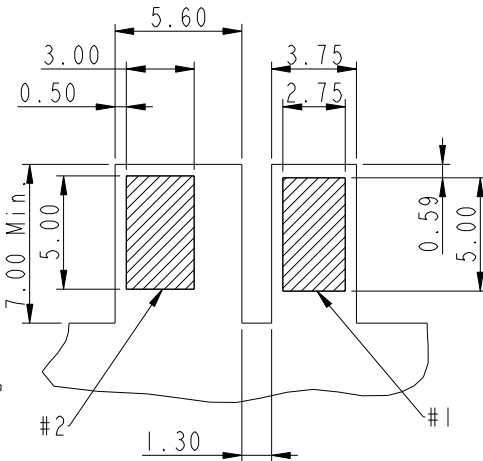


THIS DOCUMENT IS SUBJECT TO CHANGE WITHOUT NOTICE. IT IS CONFIDENTIAL AND A PROPERTY OF Amphenol LTW. DISCLOSURE TO THIRD PARTY HAS TO BE AUTHORIZED BY Amphenol LTW.

REV.	ECN NO.	DATE	SIGN	DESCRIPTION
A	Initial Release	2014-04-10	Fisher	Initial Release

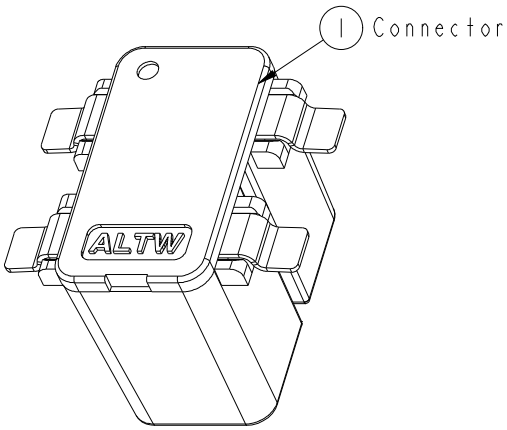
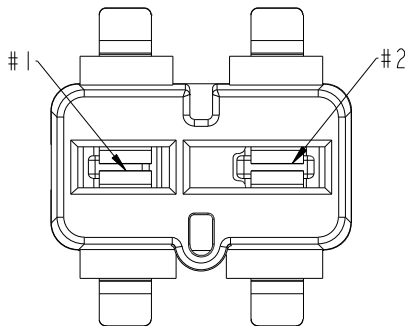
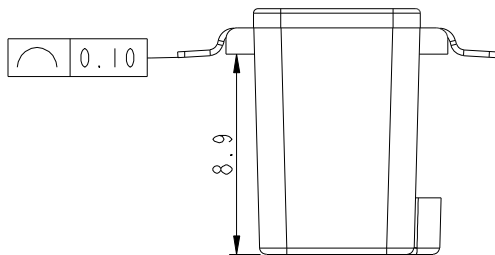
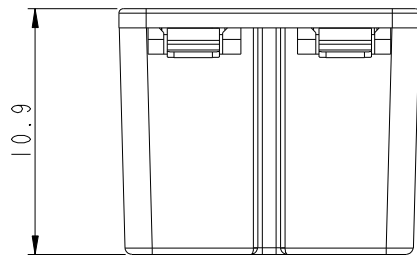


A L T W
CONFIDENTIAL
2014-04-10
R&D DEPT.



Recommended PCB Layout
(For Driver, T=1.60mm)

Recommended PCB Layout
(For LED board)

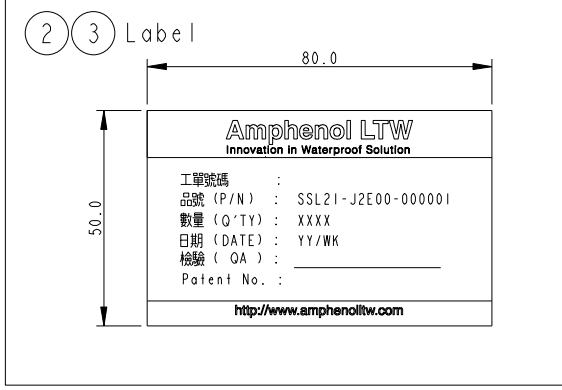
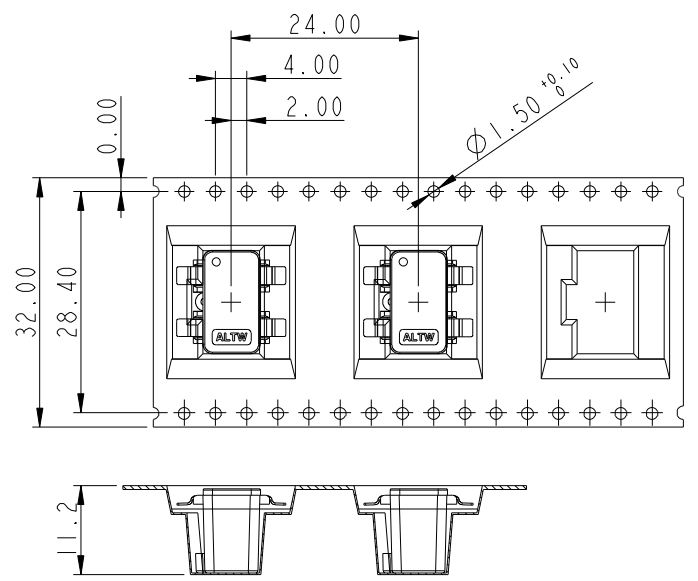


A L T W
DCC. DEPT.
CONFIDENTIAL
2014.04.17
ISSUED

- Notes
- * (C) Important Dimension To Check.
 - * Working Voltage: 1000V(max).
 - * Working Current: 12A(max)
 - * Housing: High temperature thermoplastic.
UL94V-0, color is Natural white.
 - * Cover: High temperature thermoplastic.
UL94V-0, color is Natural white.
 - * Terminal: Copper Alloy
Gold Plated on contact area, Nickel Plated overall.

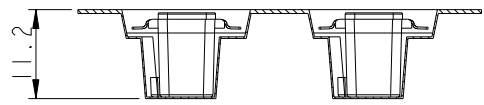
UNIT: mm		TITLE		ITEM NO	DRAWN BY	DATE
		SSL2.1 Inverted Board Connector		SSL21-J2E00-000001	Fisher_Wang	2014-04-10
TOLERANCE		SCALE	SIZE	SHEET	OF	DATE
.X ±0.25		3:1	A4	1	2	2014-04-10
.XX ±0.1		REV.	WC-REV.	(C) Inspection item		
.XXX ±0.05		A	A.9	Amphenol LTW 安費諾亮泰企業股份有限公司		
ANGLES ±1°				CUSTOMER	APPROVED BY	DATE
				ALTW	Kevin_Hu	2014-04-10

THIS DOCUMENT IS SUBJECT TO CHANGE WITHOUT NOTICE. IT IS CONFIDENTIAL AND A PROPERTY OF Amphenol LTW. DISCLOSURE TO THIRD PARTY HAS TO BE AUTHORIZED BY Amphenol LTW.

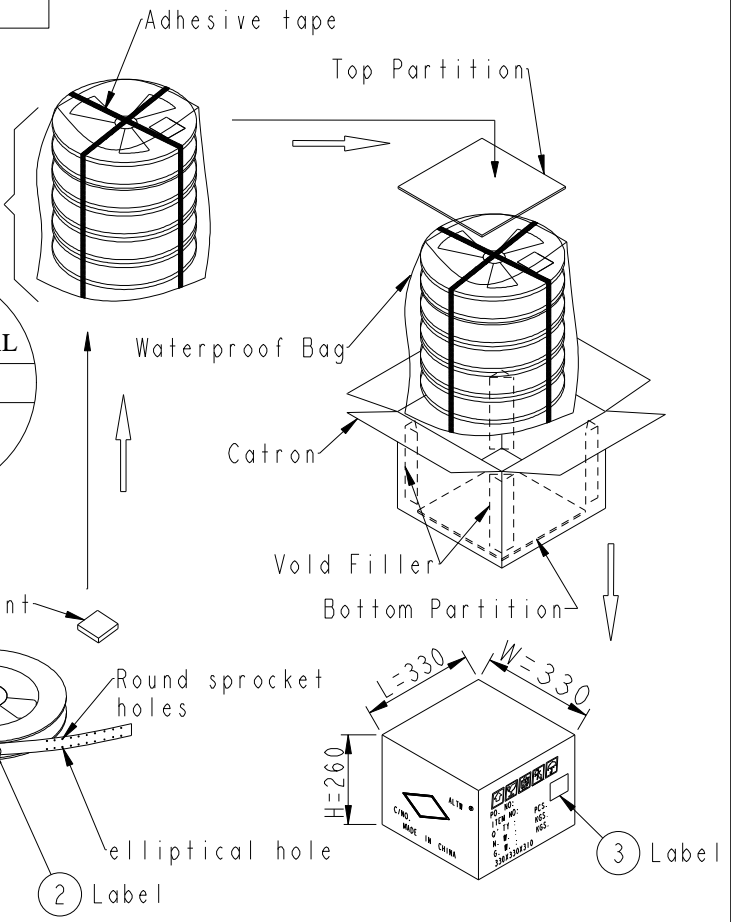


MATERIALS
 *. Carrier Tape: Polystyren (PS)
 *. Cover Tape: Polystyren (PS)

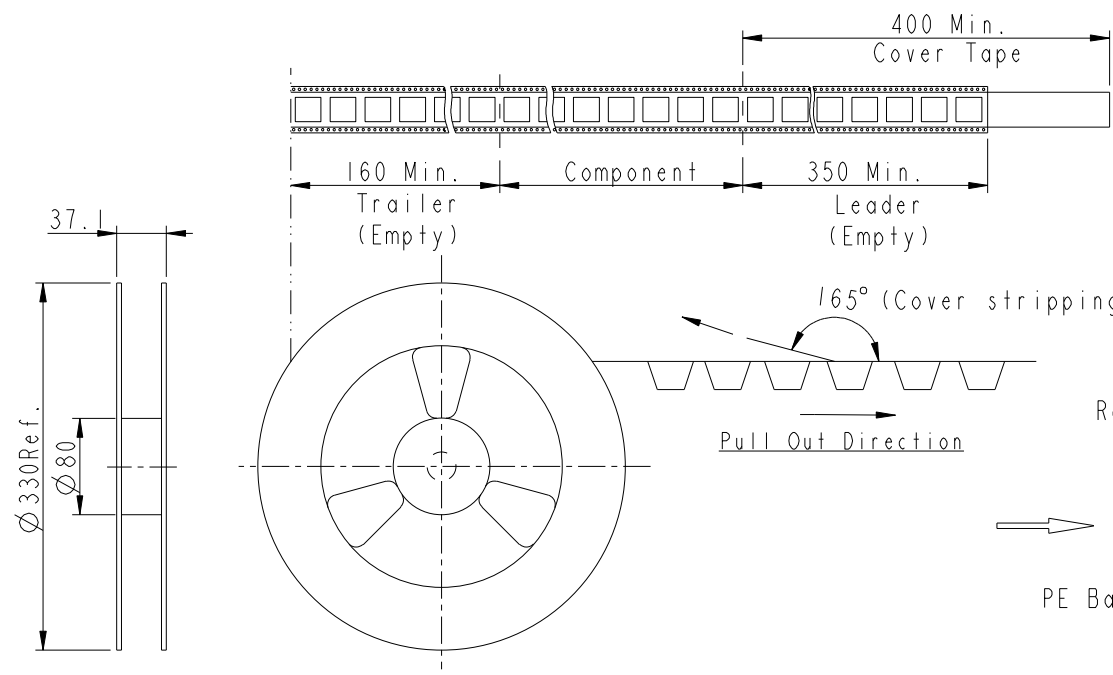
QUANTITY
 *. 250Pcs Per Reel
 *. 6 Reel Per Carton (1500Pcs/Carton)
 *. Reference Standard: EIA-481-D
 *. Cover adhesive force: 30~130g
 *. Net Weight: 2.2Kg/Carton.
 *. Gross Weight: 6.2Kg/Carton.



Six reel into waterproof bag



ALTW
 CONFIDENTIAL
 2014-04-10
 R&D DEPT.



UNIT: mm

TOLERANCE	
.X	±0.25
.XX	±0.1
.XXX	±0.05
ANGLES	±1°

TITLE SSL2.1 Tape Reel Package			
SCALE	3:1	SIZE	A4
SHEET	2	OF	2
REV.	A	WC-REV.	A.10
QC: Inspection item			

Amphenol LTW
 安費諾亮泰企業股份有限公司

ITEM NO.	SSL21-J2E00-000001
DWG NO.	SSL21-J2E00-000001
CUSTOMER	ALTW

DRAWN BY	Fisher_Wang
CHECKED BY	Ivan_Lin
APPROVED BY	Kevin_Hu

DATE	2014-04-10
DATE	2014-04-10
DATE	2014-04-10