



Chipsmall Limited consists of a professional team with an average of over 10 year of expertise in the distribution of electronic components. Based in Hongkong, we have already established firm and mutual-benefit business relationships with customers from,Europe,America and south Asia,supplying obsolete and hard-to-find components to meet their specific needs.

With the principle of “Quality Parts,Customers Priority,Honest Operation,and Considerate Service”,our business mainly focus on the distribution of electronic components. Line cards we deal with include Microchip,ALPS,ROHM,Xilinx,Pulse,ON,Everlight and Freescale. Main products comprise IC,Modules,Potentiometer,IC Socket,Relay,Connector.Our parts cover such applications as commercial,industrial, and automotives areas.

We are looking forward to setting up business relationship with you and hope to provide you with the best service and solution. Let us make a better world for our industry!



Contact us

Tel: +86-755-8981 8866 Fax: +86-755-8427 6832

Email & Skype: info@chipsmall.com Web: www.chipsmall.com

Address: A1208, Overseas Decoration Building, #122 Zhenhua RD., Futian, Shenzhen, China



FEATURES

- Low voltage noise at 100 Hz, 1 nV/ $\sqrt{\text{Hz}}$ maximum**
- High gain bandwidth: 190 MHz typical**
- Gain at $I_C = 1 \text{ mA}$, 165 typical**
- Tight gain matching: 3% maximum**
- Outstanding logarithmic conformance: $r_{BE} = 0.3 \Omega$ typical**
- Low offset voltage: 200 μV maximum**

APPLICATIONS

- Microphone preamplifiers**
- Tape head preamplifiers**
- Current sources and mirrors**
- Low noise precision instrumentation**
- Voltage controlled amplifiers/multipliers**

GENERAL DESCRIPTION

The **SSM2220** is a dual, low noise, matched PNP transistor, which has been optimized for use in audio applications.

The ultralow input voltage noise of the **SSM2220** is typically only 0.7 nV/ $\sqrt{\text{Hz}}$ over the entire audio bandwidth of 20 Hz to 20 kHz. The low noise, high bandwidth (190 MHz), and offset voltage of (200 μV maximum) make the **SSM2220** an ideal choice for demanding, low noise preamplifier applications.

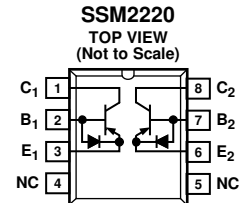
The **SSM2220** also offers excellent matching of the current gain (Δh_{FE}) to about 0.5%, which helps to reduce the high order amplifier harmonic distortion. In addition, to ensure the long-term stability of the matching parameters, internal protection diodes

across the base to emitter junction were used to clamp any reverse base to emitter junction potential. This prevents a base to emitter breakdown condition, which can result in degradation of gain and matching performance due to excessive breakdown current.

Another feature of the **SSM2220** is its very low bulk resistance of 0.3 Ω typical, which assures accurate logarithmic conformance.

The **SSM2220** is offered in 8-lead plastic dual in-line (PDIP) and 8-lead standard small outline (SOIC), and its performance and characteristics are guaranteed over the extended industrial temperature range of -40°C to $+85^\circ\text{C}$.

PIN CONNECTION DIAGRAM



NOTES
1. NC = NO CONNECT. THIS PIN IS NOT CONNECTED INTERNALLY.

0309F-001

Figure 1.

SSM2220* PRODUCT PAGE QUICK LINKS

Last Content Update: 02/23/2017

COMPARABLE PARTS

View a parametric search of comparable parts.

DOCUMENTATION

Data Sheet

- SSM2220: Audio Dual Matched PNP Transistor Data Sheet

DESIGN RESOURCES

- SSM2220 Material Declaration
- PCN-PDN Information
- Quality And Reliability
- Symbols and Footprints

DISCUSSIONS

View all SSM2220 EngineerZone Discussions.

SAMPLE AND BUY

Visit the product page to see pricing options.

TECHNICAL SUPPORT

Submit a technical question or find your regional support number.

DOCUMENT FEEDBACK

Submit feedback for this data sheet.

TABLE OF CONTENTS

| | | | |
|----------------------------------|---|---|----|
| Features | 1 | Typical Performance Characteristics | 5 |
| Applications | 1 | Applications Information | 8 |
| Pin Connection Diagram | 1 | Super Low Noise Amplifier | 8 |
| General Description | 1 | Low Noise Microphone Preamplifier | 9 |
| Specifications | 3 | Noise Measurement | 10 |
| Electrical Characteristics | 3 | Current Sources | 10 |
| Absolute Maximum Ratings | 4 | Outline Dimensions | 12 |
| Thermal Resistance | 4 | Ordering Guide | 12 |
| ESD Caution | 4 | | |

REVISION HISTORY

4/13—Rev. B to Rev. C

| | |
|--|-----------|
| Updated Format | Universal |
| Changes to Features Section and Figure 1 | 1 |
| Change to Endnote 2 and Endnote 4, Table 1 | 3 |
| Changed Breakdown Voltage Parameter, Table 2 to Breakdown Voltage (Collector to Emitter), Table 2 | 3 |
| Changes to Table 3 | 4 |
| Changes to Figure 8 Caption, Figure 9 Caption, and Figure 12 | 6 |
| Change to Figure 15 | 7 |
| Changes to Super Low Noise Amplifier Section, Figure 16, and Figure 17 Caption | 8 |
| Change to Figure 18 | 9 |
| Changes to Figure 19 and Noise Measurement Section | 10 |
| Changes to Current Sources and Current Matching Sections | 11 |
| Updated Outline Dimensions | 12 |
| Changes to Ordering Guide | 12 |

11/03—Rev. A to Rev. B

| | |
|----------------------------------|---|
| Changes to Ordering Guide | 1 |
| Updated Outline Dimensions | 9 |

SPECIFICATIONS

T_A = 25°C, unless otherwise noted.

Table 1.

| Parameter | Symbol | Min | Typ | Max | Unit | Test Conditions/Comments |
|---|-------------------------------|-----|-------|------|--------|---|
| CURRENT GAIN ¹ | h_{FE} | 80 | 165 | | | V _{CB} = 0 V to 36 V I _C = 1 mA |
| | | 70 | 150 | | | I _C = 100 μA |
| | | 60 | 120 | | | I _C = 10 μA |
| Current Gain Matching ² | Δh_{FE} | | 0.5 | 6 | % | I _C = 100 μA, V _{CB} = 0 V |
| NOISE VOLTAGE DENSITY ³ | e_n | | 0.8 | 2 | nV/√Hz | I _C = 1 mA, V _{CB} = 0 V f ₀ = 10 Hz |
| | | | 0.7 | 1 | nV/√Hz | f ₀ = 100 Hz |
| | | | 0.7 | 1 | nV/√Hz | f ₀ = 1 kHz |
| | | | 0.7 | 1 | nV/√Hz | f ₀ = 10 kHz |
| OFFSET VOLTAGE ⁴ | V _{OS} | | 40 | 200 | μV | V _{CB} = 0 V, I _C = 100 μA |
| Offset Voltage Change vs. Collector Voltage | $\Delta V_{OS}/\Delta V_{CB}$ | | 11 | 200 | μV | I _C = 100 μA, V _{CB1} = 0 V, V _{CB2} = -36 V |
| Offset Voltage Change vs. Collector Current | $\Delta V_{OS}/\Delta I_C$ | | 12 | 75 | μV | V _{CB} = 0 V, I _{C1} = 10 μA, I _{C2} = 1 mA |
| OFFSET CURRENT | I _{OS} | | 6 | 45 | nA | I _C = 100 μA, V _{CB} = 0 V |
| COLLECTOR TO BASE LEAKAGE CURRENT | I _{CBO} | | 50 | 400 | pA | V _{CB} = -36 V = V _{MAX} |
| BULK RESISTANCE | r _{BE} | | 0.3 | 0.75 | Ω | V _{CB} = 0 V, 10 μA ≤ I _C ≤ 1 mA |
| COLLECTOR SATURATION VOLTAGE | V _{CE(SAT)} | | 0.026 | 0.1 | V | I _C = 1 mA, I _B = 100 μA |

¹ Current gain is measured at collector to base voltages (V_{CB}) swept from 0 V to V_{MAX} at indicated collector current. Typicals are measured at V_{CB} = 0 V.

² Current gain matching (Δh_{FE}) is defined as follows:

$$\Delta h_{FE} = \frac{100(\Delta I_B)(h_{FE})_{\min}}{I_C}$$

³ Sample tested. Noise tested and specified as equivalent input voltage for each transistor.

⁴ Offset voltage is defined as follows:

$$V_{OS} = V_{BE1} - V_{BE2} = \frac{KT}{q} \ln \left(\frac{I_{C1}}{I_{C2}} \right)$$

where V_{OS} is the differential voltage for I_{C1} = I_{C2}.

ELECTRICAL CHARACTERISTICS

-40°C ≤ T_A ≤ +85°C, unless otherwise noted.

Table 2.

| Parameter | Symbol | Min | Typ | Max | Unit | Test Conditions/Comments |
|--|-------------------|-----|-----|-----|-------|--|
| CURRENT GAIN | h_{FE} | 60 | 125 | | | V _{CB} = 0 V to 36 V I _C = 1 mA |
| | | 50 | 105 | | | I _C = 100 μA |
| | | 40 | 90 | | | I _C = 10 μA |
| OFFSET VOLTAGE | V _{OS} | | 30 | 265 | μV | I _C = 100 μA, V _{CB} = 0 V |
| Offset Voltage Drift ¹ | TCV _{OS} | | 0.3 | 1.0 | μV/°C | I _C = 100 μA, V _{CB} = 0 V |
| OFFSET CURRENT | I _{OS} | | 10 | 200 | nA | I _C = 100 μA, V _{CB} = 0 V |
| BREAKDOWN VOLTAGE (COLLECTOR TO EMITTER) | BV _{CEO} | 36 | | | V | |

¹ Guaranteed by V_{OS} test (TCV_{OS} = V_{OS}/T for V_{OS} << V_{BE}), where T = 298K for T_A = 25°C.

ABSOLUTE MAXIMUM RATINGS

Table 3.

| Parameter | Rating |
|--|-----------------|
| Breakdown Voltage of | |
| Collector to Base Voltage (BV_{CBO}) | 36 V |
| Collector to Emitter Voltage (BV_{CEO}) | 36 V |
| Collector to Collector Voltage (BV_{CC}) | 36 V |
| Emitter to Emitter Voltage (BV_{EE}) | 36 V |
| Current | |
| Collector (I_C) | 20 mA |
| Emitter (I_E) | 20 mA |
| Temperature Range | |
| Operating | -40°C to +85°C |
| Storage | -65°C to +150°C |
| Junction | -65°C to +150°C |
| Lead Temperature (Soldering, 60 sec) | +300°C |

Stresses above those listed under Absolute Maximum Ratings may cause permanent damage to the device. This is a stress rating only; functional operation of the device at these or any other conditions above those indicated in the operational section of this specification is not implied. Exposure to absolute maximum rating conditions for extended periods may affect device reliability.

THERMAL RESISTANCE

Table 4.

| Package Type | θ_{JA}^1 | θ_{JC} | Unit |
|--------------|-----------------|---------------|------|
| 8-Lead PDIP | 103 | 43 | °C/W |
| 8-Lead SOIC | 158 | 43 | °C/W |

¹ θ_{JA} is specified for worst-case mounting conditions; that is, θ_{JA} is specified for a device in a socket for the PDIP package, and a device soldered to a printed circuit board for SOIC packages.

ESD CAUTION



ESD (electrostatic discharge) sensitive device. Charged devices and circuit boards can discharge without detection. Although this product features patented or proprietary protection circuitry, damage may occur on devices subjected to high energy ESD. Therefore, proper ESD precautions should be taken to avoid performance degradation or loss of functionality.

TYPICAL PERFORMANCE CHARACTERISTICS

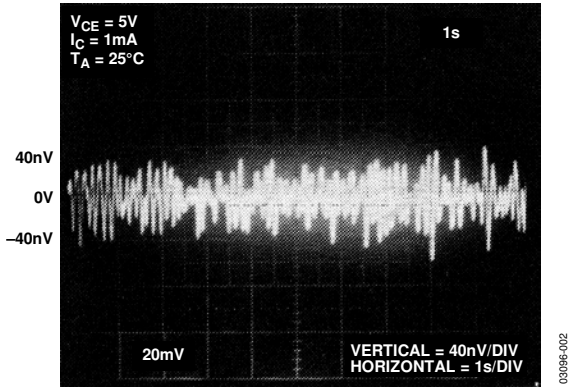


Figure 2. Low Frequency Noise

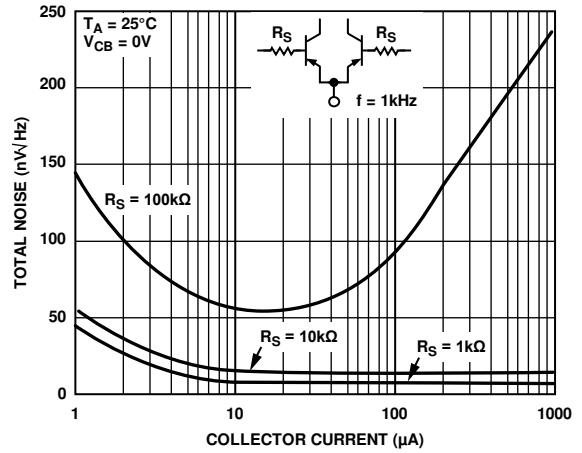


Figure 5. Total Noise vs. Collector Current

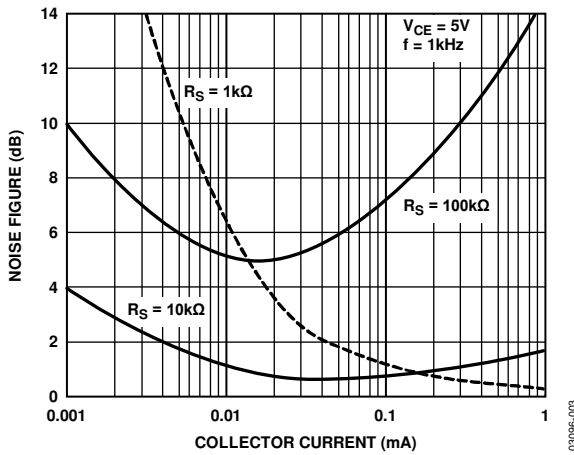


Figure 3. Noise Figure vs. Collector Current

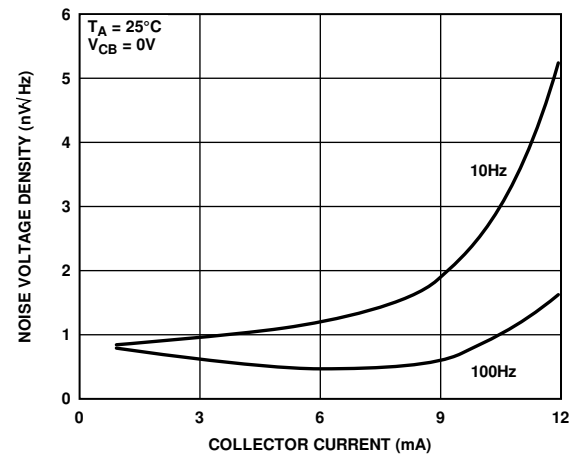


Figure 6. Noise Voltage Density vs. Collector Current

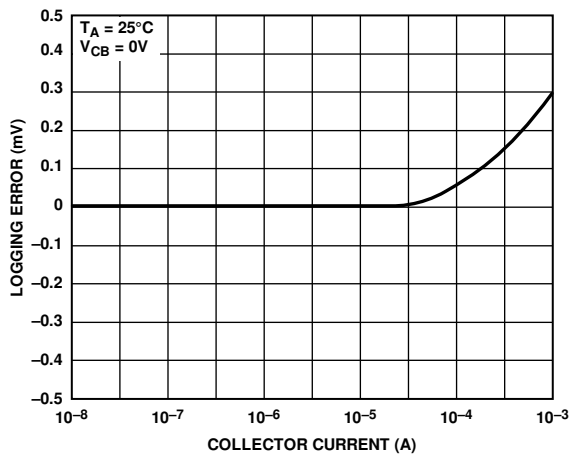


Figure 4. Emitter to Base Log Conformity

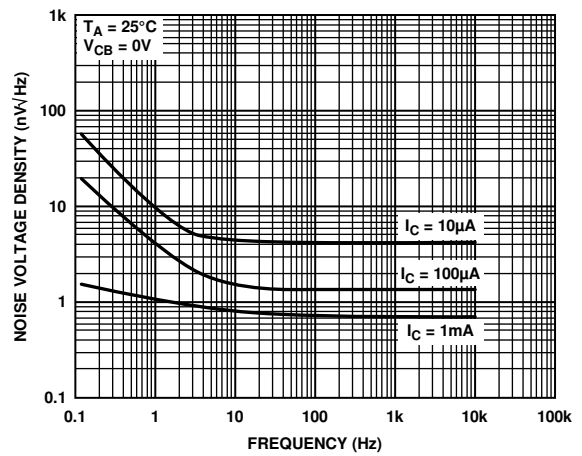


Figure 7. Noise Voltage Density vs. Frequency

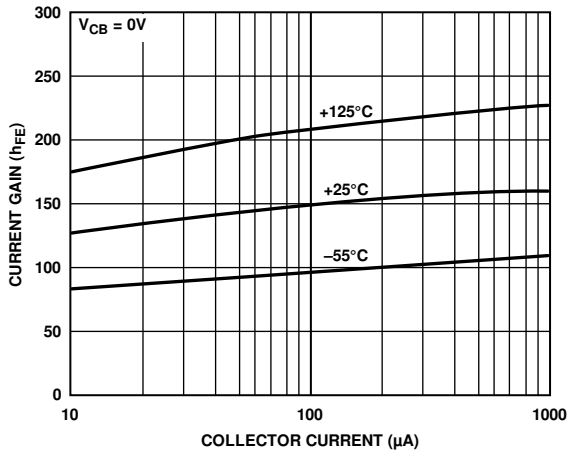


Figure 8. Current Gain (h_{FE}) vs. Collector Current

03096-008

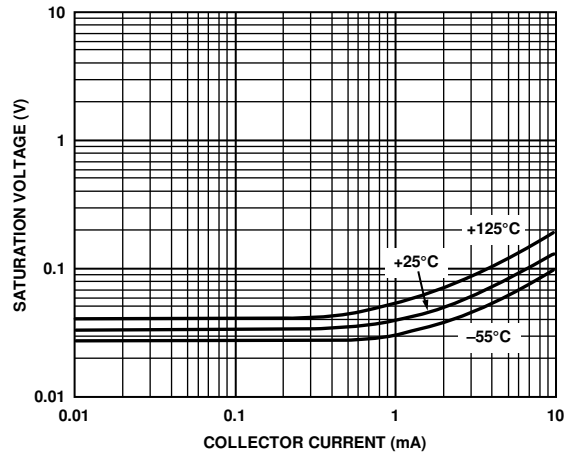


Figure 11. Saturation Voltage vs. Collector Current

03096-011

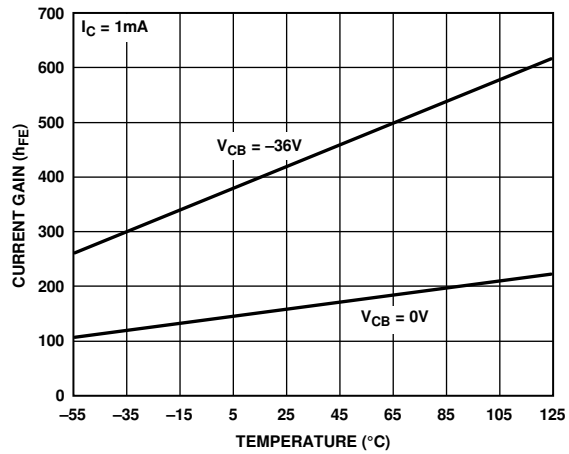


Figure 9. Current Gain (h_{FE}) vs. Temperature

03096-009

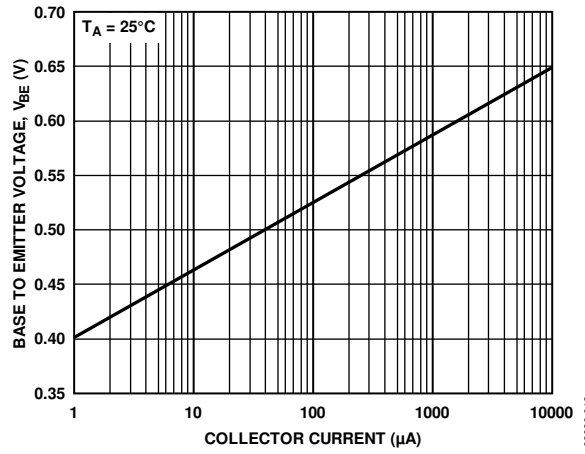


Figure 12. Base to Emitter Voltage (V_{BE}) vs. Collector Current

03096-012

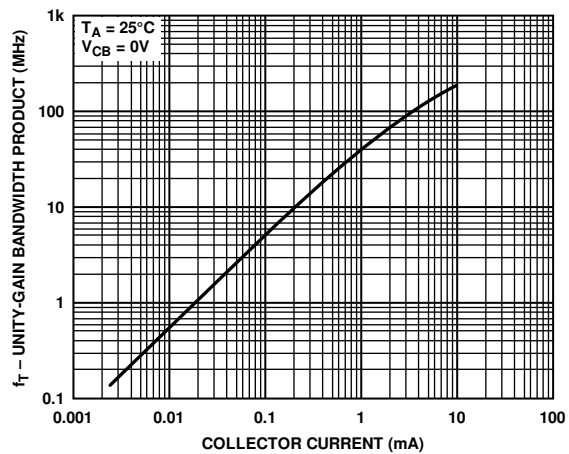


Figure 10. Gain Bandwidth vs. Collector Current

03096-010

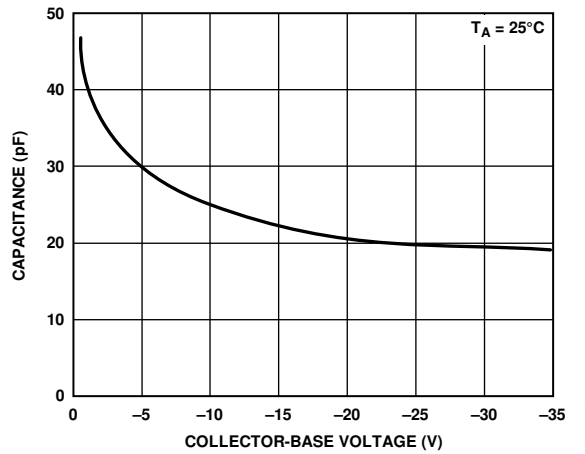


Figure 13. Collector to Base Capacitance vs. V_{CB}

03096-013

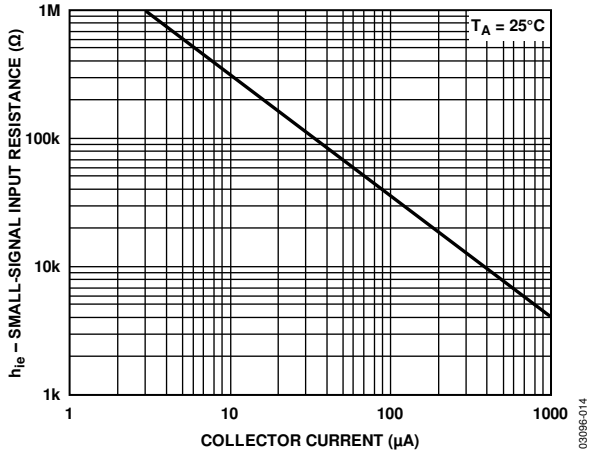


Figure 14. Small Signal Input Resistance (h_{ie}) vs. Collector Current

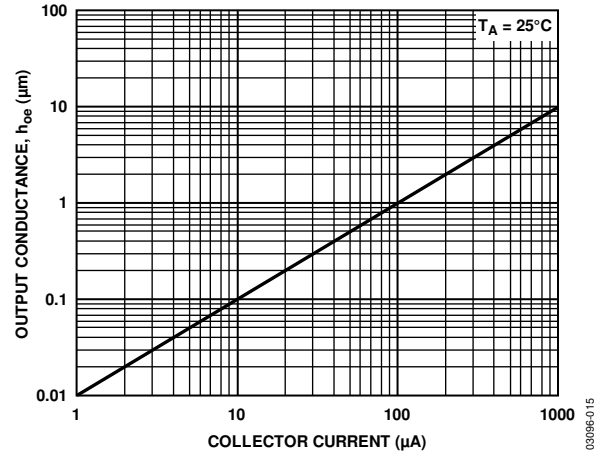


Figure 15. Small Signal Output Conductance (h_{oe}) vs. Collector Current

APPLICATIONS INFORMATION

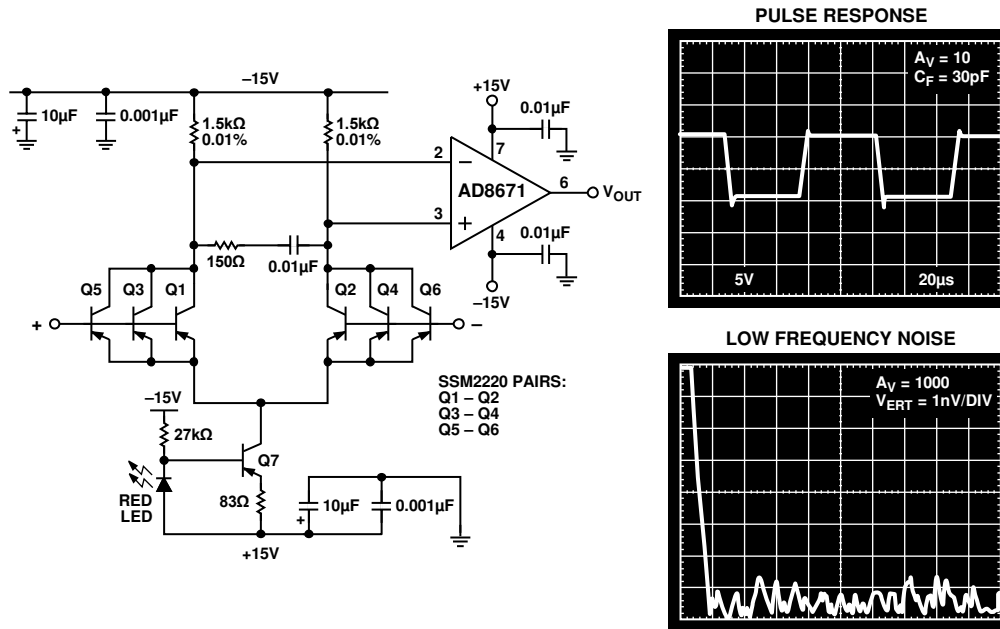


Figure 16. Super Low Noise Amplifier

SUPER LOW NOISE AMPLIFIER

The circuit in Figure 16 is a super low noise amplifier, with equivalent input voltage noise of 0.32 nV/√Hz. By paralleling SSM2220 matched pairs, a reduction of the base spreading resistance by a factor of 3 results in a further reduction of amplifier noise by a factor of √3. Additionally, the shot noise contribution is reduced by maintaining a high collector current (2 mA/device), which reduces the dynamic emitter resistance and decreases voltage noise. The voltage noise is inversely proportional to the square root of the stage current, whereas current noise increases proportionally. Accordingly, this amplifier capitalizes on voltage noise reduction techniques at the expense of increasing the current noise. However, high current noise is not usually important when dealing with low impedance sources.

This amplifier exhibits excellent full power ac performance, 0.08% THD into a 600 Ω load, making it suitable for exacting audio applications (see Figure 17).

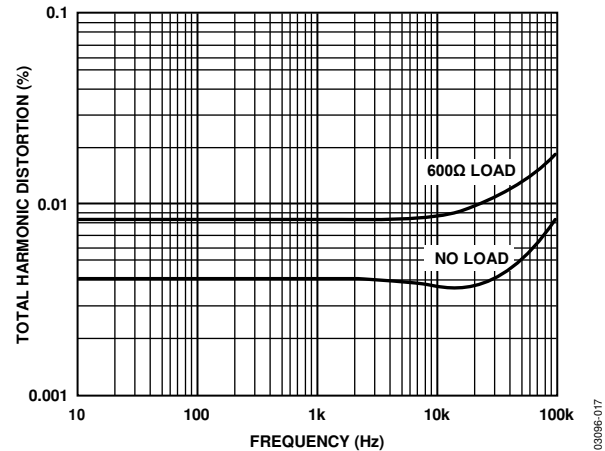


Figure 17. Total Harmonic Distortion vs. Frequency of Circuit in Figure 16

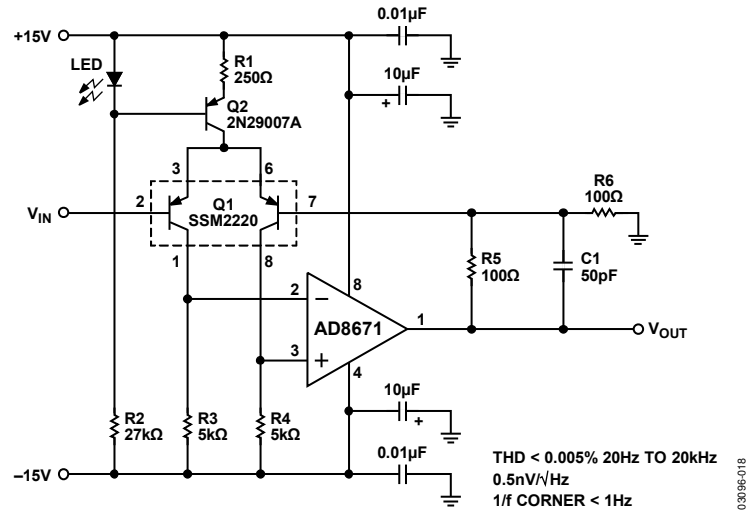


Figure 18. Low Noise Microphone Preamplifier

LOW NOISE MICROPHONE PREAMPLIFIER

Figure 18 shows a microphone preamplifier that consists of an [SSM2220](#) and a low noise op amp. The input stage operates at a relatively high quiescent current of 2 mA per side, which reduces the [SSM2220](#) transistor voltage noise. The 1/f corner is less than 1 Hz. Total harmonic distortion is under 0.005% for a 10 V p-p signal from 20 Hz to 20 kHz. The preamp gain is 100, but can be modified by varying R5 or R6 ($V_{OUT}/V_{IN} = R5/R6 + 1$). A total

input stage emitter current of 4 mA is provided by Q2. The constant current in Q2 is set by using the forward voltage of a GaAsP LED as a reference. The difference between this voltage and the V_{BE} of a silicon transistor is predictable and constant (to a few percent) over a wide temperature range. The voltage difference, approximately 1 V, is dropped across the 250 Ω resistor, which produces a temperature stabilized emitter current.

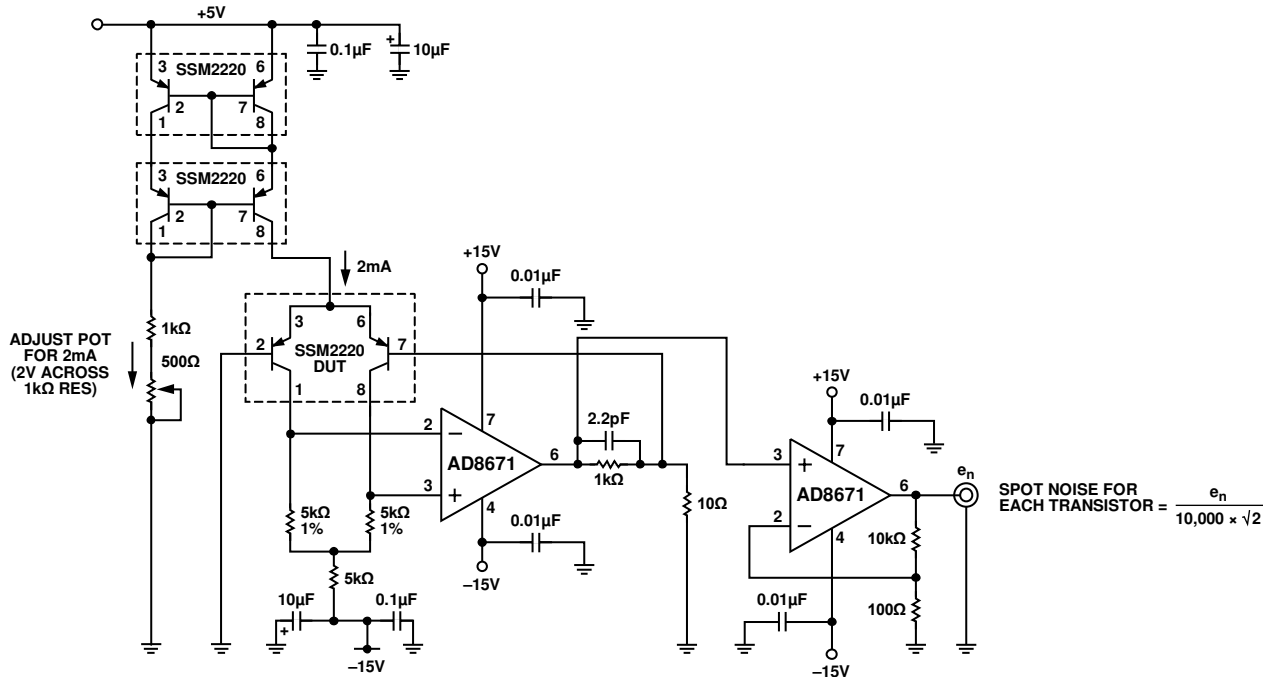


Figure 19. Voltage Noise Measurement Circuit

NOISE MEASUREMENT

All resistive components and semiconductor junctions contribute to the system input noise. Resistive components produce Johnson noise ($e_n^2 = 4kTBR$, or $e_n = 0.13\sqrt{R}$ nV/ $\sqrt{\text{Hz}}$, where R is in k Ω). At semiconductor junctions, shot noise is caused by current flowing through a junction, producing voltage noise in series impedances such as transistor collector load resistors ($I_n = 0.556\sqrt{I}$ pA/ $\sqrt{\text{Hz}}$, where I is in μA).

Figure 19 illustrates a technique for measuring the equivalent input noise voltage of the SSM2220. A stage current of 1 mA is used to bias each side of the differential pair. The 5 k Ω collector resistor noise contribution is insignificant compared to the voltage noise of the SSM2220. Because noise in the signal path is referred back to the input, this voltage noise is attenuated by the gain of the circuit. Consequently, the noise contribution of the collector load resistors is only 0.048 nV/ $\sqrt{\text{Hz}}$. This is considerably less than the typical 0.8 nV/ $\sqrt{\text{Hz}}$ input noise voltage of the SSM2220 transistor.

The noise contribution of the AD8671 gain stages is also negligible, due to the gain in the signal path. The op amp stages amplify the input referred noise of the transistors, increasing the signal strength to allow the noise spectral density, $(e_n)_{\text{input}} \times 10,000$, to be measured with a spectrum analyzer. Because equal noise contributions from each transistor in the SSM2220 are assumed, the output is divided by $\sqrt{2}$ to determine the input noise of a single transistor.

Air currents cause small temperature changes that can appear as low frequency noise. To eliminate this noise source, the measurement circuit must be thermally isolated. Effects of extraneous noise sources must also be eliminated by totally shielding the circuit.

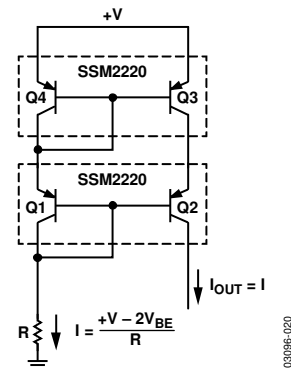


Figure 20. Cascode Current Source

CURRENT SOURCES

A fundamental requirement for accurate current mirrors and active load stages is matched transistor components. Due to the excellent V_{BE} matching (the voltage difference between one V_{BE} and another, which is required to equalize collector current) and gain matching, the SSM2220 can be used to implement a variety of standard current mirrors that can source current into a load such as an amplifier stage. The advantages of current loads in amplifiers vs. resistors are an increase of voltage gain due to higher impedances, larger signal range, and in many applications, a wider signal bandwidth.

Figure 20 illustrates a cascode current mirror consisting of two SSM2220 transistor pairs.

The cascode current source has a common base transistor in series with the output, which causes an increase in output impedance of the current source because V_{CE} stays relatively constant. High frequency characteristics are improved due to a reduction of Miller capacitance. The small signal output impedance can be determined

by consulting Figure 15. Typical output impedance levels approach the performance of a perfect current source.

$$(r_o)_{Q3} = \frac{1}{1.0 \mu\text{Mho}} = 1 \text{ M}\Omega$$

Q2 and Q3 are in series and operate at the same current level; therefore, the total output impedance is as follows:

$$R_o = h_{FE} \times (r_o)_{Q3} \approx (160)(1 \text{ M}\Omega) = 160 \text{ M}\Omega$$

Current Matching

The objective of current source or mirror design is generation of currents that either are matched or must maintain a constant ratio. However, mismatch of base emitter voltages causes output current errors. Consider the example of Figure 21.

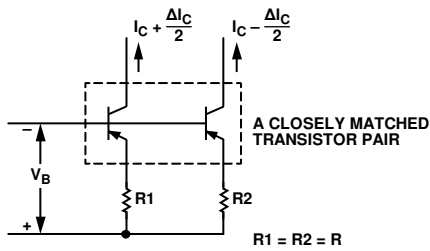


Figure 21. Current Matching Circuit

If the resistors and transistors are equal and the collector voltages are the same, then the collector currents match precisely. Investigating the current matching errors resulting from a nonzero V_{OS} , ΔI_C is defined as the current error between the two transistors.

Figure 22 describes the relationship of current matching errors vs. offset voltage for a specified average current, I_C . Note that because the relative error between the currents is exponentially proportional to the offset voltage, tight matching is required to design high accuracy current sources. For example, if the offset voltage were 5 mV at 100 μA collector current, the current matching error would be 20%. Additionally, temperature effects, such as offset drift (3 $\mu\text{V}/^\circ\text{C}$ per mV of V_{OS}), degrade performance if Q1 and Q2 are not well matched.

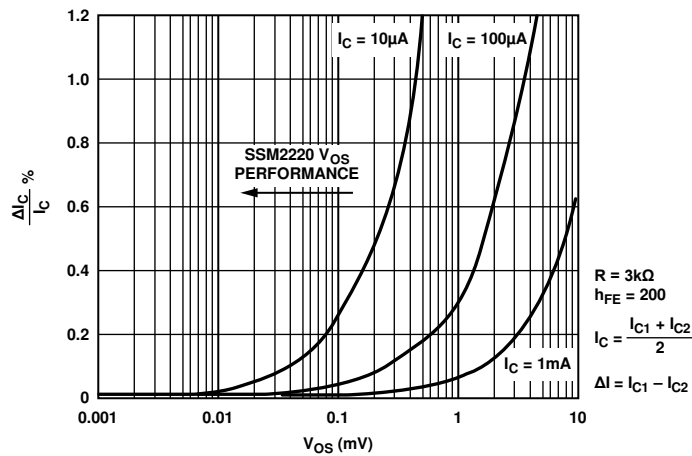
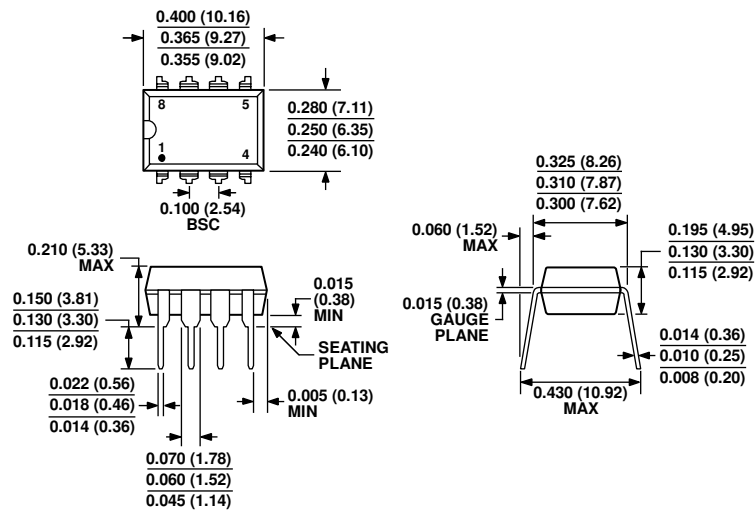


Figure 22. Current Matching Accuracy vs. Offset Voltage

OUTLINE DIMENSIONS

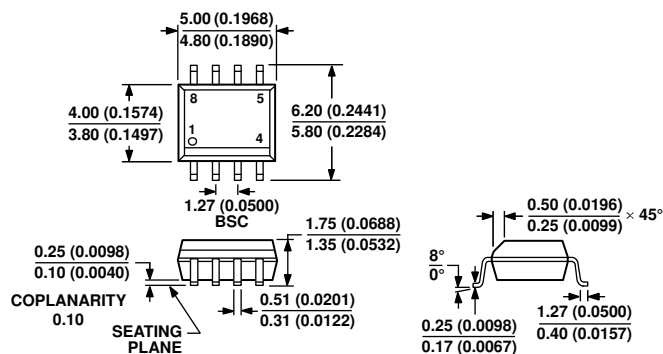


COMPLIANT TO JEDEC STANDARDS MS-001

CONTROLLING DIMENSIONS ARE IN INCHES; MILLIMETER DIMENSIONS (IN PARENTHESES) ARE ROUNDED-OFF INCH EQUIVALENTS FOR REFERENCE ONLY AND ARE NOT APPROPRIATE FOR USE IN DESIGN. CORNER LEADS MAY BE CONFIGURED AS WHOLE OR HALF LEADS.

Figure 23. 8-Lead Plastic Dual In-Line Package [PDIP] (N-8)

Dimensions shown in inches and (millimeters)



COMPLIANT TO JEDEC STANDARDS MS-012-AA

CONTROLLING DIMENSIONS ARE IN MILLIMETERS; INCH DIMENSIONS (IN PARENTHESES) ARE ROUNDED-OFF MILLIMETER EQUIVALENTS FOR REFERENCE ONLY AND ARE NOT APPROPRIATE FOR USE IN DESIGN.

Figure 24. 8-Lead Standard Small Outline Package [SOIC_N] Narrow Body (R-8)

Dimensions shown in millimeters and (inches)

ORDERING GUIDE

| Model ¹ | Temperature Range | Package Description | Package Option |
|--------------------|-------------------|--|----------------|
| SSM2220PZ | -40°C to +85°C | 8-Lead Plastic Dual In-Line Package [PDIP] | N-8 |
| SSM2220S | -40°C to +85°C | 8-Lead Standard Small Outline Package [SOIC_N] | R-8 |
| SSM2220SZ | -40°C to +85°C | 8-Lead Standard Small Outline Package [SOIC_N] | R-8 |
| SSM2220SZ-REEL | -40°C to +85°C | 8-Lead Standard Small Outline Package [SOIC_N] | R-8 |

¹ Z = RoHS Compliant Part.