



Chipsmall Limited consists of a professional team with an average of over 10 year of expertise in the distribution of electronic components. Based in Hongkong, we have already established firm and mutual-benefit business relationships with customers from,Europe,America and south Asia,supplying obsolete and hard-to-find components to meet their specific needs.

With the principle of “Quality Parts,Customers Priority,Honest Operation,and Considerate Service”,our business mainly focus on the distribution of electronic components. Line cards we deal with include Microchip,ALPS,ROHM,Xilinx,Pulse,ON,Everlight and Freescale. Main products comprise IC,Modules,Potentiometer,IC Socket,Relay,Connector.Our parts cover such applications as commercial,industrial, and automotives areas.

We are looking forward to setting up business relationship with you and hope to provide you with the best service and solution. Let us make a better world for our industry!



Contact us

Tel: +86-755-8981 8866 Fax: +86-755-8427 6832

Email & Skype: info@chipsmall.com Web: www.chipsmall.com

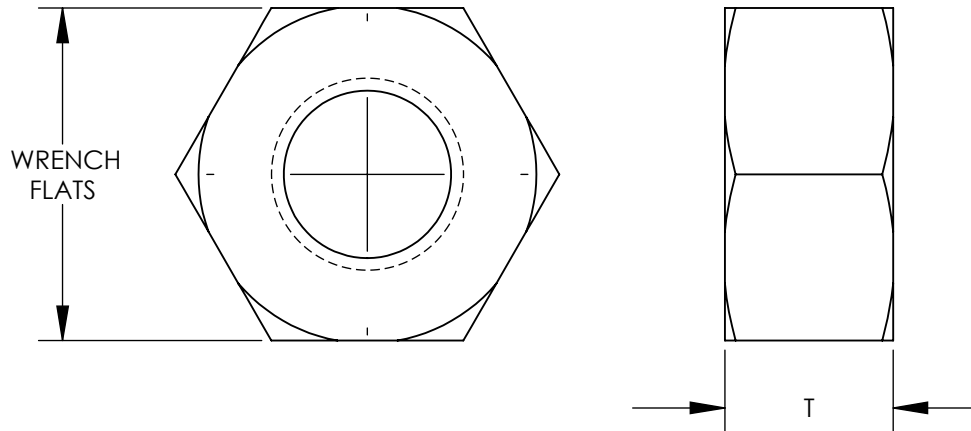
Address: A1208, Overseas Decoration Building, #122 Zhenhua RD., Futian, Shenzhen, China



NOTES:

1. PART NUMBERS: SSN1420, SSN3816
2. MATERIAL: STAINLESS STEEL
3. DIMENSIONS IN PARENTHESIS ARE MILLIMETERS

PANDUIT PART NUMBER	SIZE	WRENCH FLATS	T	QUANTITY
SSN1420-C	1/4"-20	7/16" [11mm]	7/32" [0.8 mm]	100
SSN3816-C	3/8"-16	9/16" [14mm]	5/16" [8mm]	100



02	12/16	JHNU	JHNU	VOIDED DRAWING, PARTS MOVED TO 15J350BG-DC	N11000BL-C41733	RGB	RGB
01	5/08	JHNU	JHNU	ADDED SIZE COLUMN TO TABLE			
00	5/08	JHNU	JHNU	DRAWING RELEASED			
REV	DATE	BY	CHK	DESCRIPTION	ECN	-R	SUP

PANDUIT CORP. TINLEY PARK, ILLINOIS
 STAINLESS STEEL HEX NUT
 (SSN1420-C, SSN3816-C)
 CUSTOMER DRAWING

DRAWN BY	CHK'D	SCALE	DRAWING NO / CAD FILE
JHNU		NONE	C41733