



Chipsmall Limited consists of a professional team with an average of over 10 year of expertise in the distribution of electronic components. Based in Hongkong, we have already established firm and mutual-benefit business relationships with customers from,Europe,America and south Asia,supplying obsolete and hard-to-find components to meet their specific needs.

With the principle of “Quality Parts,Customers Priority,Honest Operation,and Considerate Service”,our business mainly focus on the distribution of electronic components. Line cards we deal with include Microchip,ALPS,ROHM,Xilinx,Pulse,ON,Everlight and Freescale. Main products comprise IC,Modules,Potentiometer,IC Socket,Relay,Connector.Our parts cover such applications as commercial,industrial, and automotives areas.

We are looking forward to setting up business relationship with you and hope to provide you with the best service and solution. Let us make a better world for our industry!



Contact us

Tel: +86-755-8981 8866 Fax: +86-755-8427 6832

Email & Skype: info@chipsmall.com Web: www.chipsmall.com

Address: A1208, Overseas Decoration Building, #122 Zhenhua RD., Futian, Shenzhen, China



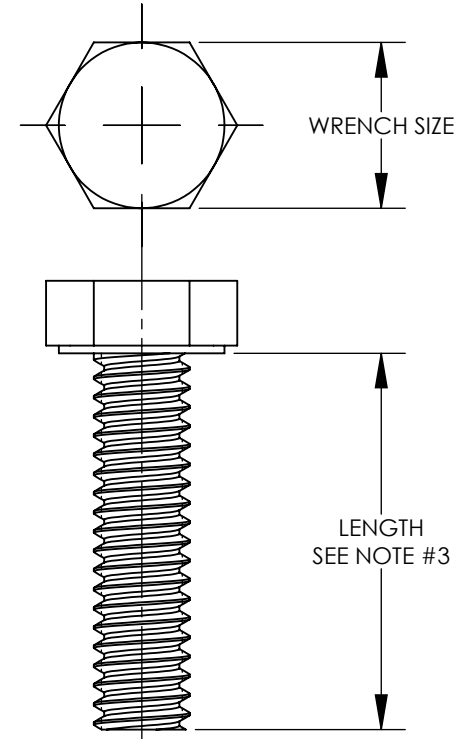
THIS COPY IS PROVIDED ON A RESTRICTED BASIS AND IS NOT TO BE USED IN ANY WAY DETRIMENTAL TO THE INTERESTS OF PANDUIT CORP.

NOTES:

1. MATERIAL: 18-8 STAINLESS STEEL
2. DIMENSIONS IN BRACKETS ARE MILLIMETERS
3. ALL BOLTS ARE FULLY THREADED
4. PKG QTY:
L = 50
C = 100

PART NUMBER	THREAD	LENGTH	WRENCH SIZE		
SSBOLT2525-C	1/4-20	.25 [6.4]	7/16		
SSBOLT2550-C		.50 [12.7]			
SSBOLT2562-C		.62 [15.7]			
SSBOLT2575-C		.75 [19.1]			
SSNTS1420-C		1.00 [25.4]			
SSBOLT25125-C		1.25 [31.8]			
SSBOLT25150-C		1.50 [38.1]			
SSBOLT25175-C		1.75 [44.5]			
SSBOLT25200-C		2.00 [50.8]			
SSBOLT25250-C		2.50 [63.5]			
SSBOLT25300-C		3.00 [76.2]			
SSBOLT3150-C		5/16-18		.50 [12.7]	1/2
SSBOLT3162-C				.62 [15.7]	
SSBOLT3175-C				.75 [19.1]	
SSBOLT31100-C	1.00 [25.4]				
SSBOLT31125-C	1.25 [31.8]				
SSBOLT31150-C	1.50 [38.1]				
SSBOLT31175-C	1.75 [44.5]				
SSBOLT31200-C	2.00 [50.8]				
SSBOLT31250-C	2.50 [63.5]				
SSBOLT31300-C	3.00 [76.2]				
SSBOLT3850-C	3/8-16		.50 [12.7]	9/16	
SSBOLT3862-C			.62 [15.7]		
SSBOLT3875-C			.75 [19.1]		
SSNTS3816-C			1.00 [25.4]		
SSBOLT38125-C		1.25 [31.8]			
SSBOLT38150-C		1.50 [38.1]			
SSBOLT38175-C		1.75 [44.5]			
SSBOLT38200-C		2.00 [50.8]			
SSBOLT38250-C		2.50 [63.5]			
SSBOLT38300-C		3.00 [76.2]			

PART NUMBER	THREAD	LENGTH	WRENCH SIZE		
SSBOLT5050-C	1/2-13	.50 [12.7]	3/4		
SSBOLT5062-C		.62 [15.7]			
SSBOLT5075-C		.75 [19.1]			
SSBOLT50100-C		1.00 [25.4]			
SSBOLT50125-C		1.25 [31.8]			
SSBOLT50150-C		1.50 [38.1]			
SSBOLT50175-C		1.75 [44.5]			
SSBOLT50200-C		2.00 [50.8]			
SSBOLT50250-C		2.50 [63.5]			
SSBOLT50300-L		3.00 [76.2]			
SSBOLT6250-C		5/8-11		.50 [12.7]	15/16
SSBOLT6262-C				.62 [15.7]	
SSBOLT6275-C				.75 [19.1]	
SSBOLT62100-C				1.00 [25.4]	
SSBOLT62125-C	1.25 [31.8]				
SSBOLT62150-L	1.50 [38.1]				
SSBOLT62175-L	1.75 [44.5]				
SSBOLT62200-L	2.00 [50.8]				
SSBOLT62250-L	2.50 [63.5]				
SSBOLT62300-L	3.00 [76.2]				



TITLE		STAINLESS STEEL HEX HEAD BOLTS (SSBOLT SERIES) CUSTOMER DRAWING	
ITEM REVISION NAME	15J350BF/00		PANDUIT
DATASET FILE NAME	15J350BF-DC/00.SLDDRW		
UNLESS OTHERWISE SPECIFIED, DIMENSIONAL TOLERANCES ARE: IN [mm]			MATERIAL
.X ± .XXX ± .XX ± .02 [0.5] ANGLES ±			SEE NOTES
THIRD ANGLE PROJECTION			DRAWING NUMBER
			15J350BF-DC
DRAWN BY	DATE	CHK	SCALE
JHNU	4/17	RGB	N/A
SHEET 1 OF 1			SIZE
			A

REV	DATE	BY	CHK	APR	DESCRIPTION	ECN
00	4/17	JHNU	JHNU	RGB	DRAWING RELEASED	15J350BF-DC