



Chipsmall Limited consists of a professional team with an average of over 10 year of expertise in the distribution of electronic components. Based in Hongkong, we have already established firm and mutual-benefit business relationships with customers from,Europe,America and south Asia,supplying obsolete and hard-to-find components to meet their specific needs.

With the principle of “Quality Parts,Customers Priority,Honest Operation,and Considerate Service”,our business mainly focus on the distribution of electronic components. Line cards we deal with include Microchip,ALPS,ROHM,Xilinx,Pulse,ON,Everlight and Freescale. Main products comprise IC,Modules,Potentiometer,IC Socket,Relay,Connector.Our parts cover such applications as commercial,industrial, and automotives areas.

We are looking forward to setting up business relationship with you and hope to provide you with the best service and solution. Let us make a better world for our industry!



## Contact us

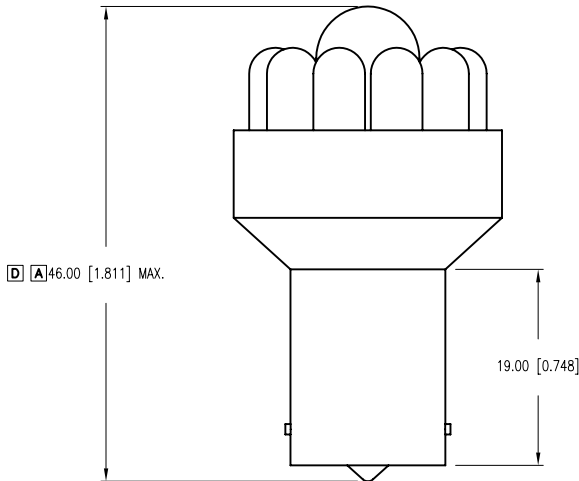
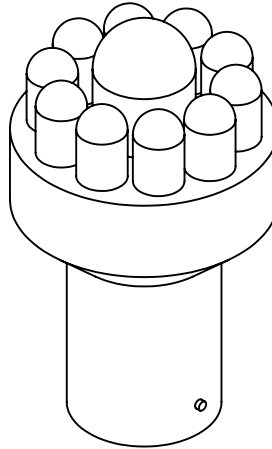
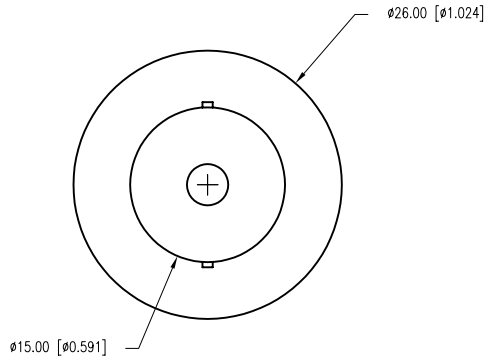
Tel: +86-755-8981 8866 Fax: +86-755-8427 6832

Email & Skype: info@chipsmall.com Web: www.chipsmall.com

Address: A1208, Overseas Decoration Building, #122 Zhenhua RD., Futian, Shenzhen, China



|             |                                     |      |      |
|-------------|-------------------------------------|------|------|
| PART NUMBER | SSP-1156B152UP12                    | REV. | D    |
| DATE        | E.C.N. NUMBER AND REVISION COMMENTS |      | REV. |
| 02.26.03    | E.C.N. #10958.                      |      | A    |
| 8.19.03     | E.C.N. #11025.                      |      | B    |
| 11.5.03     | E.C.N. #11050.                      |      | C    |
| 12.12.11    | E.C.N. #11741, #10BRDR.             |      | D    |



| ELECTRO-OPTICAL CHARACTERISTICS $T_a=25^{\circ}\text{C}$ $V_f=12\text{V}$ |             |       |      |            |                      |
|---|-------------|-------|------|------------|----------------------|
| PARAMETER   | MIN         | TYP   | MAX  | UNITS      | TEST COND            |
| PEAK WAVELENGTH   |             | 525   |      | nm         |                      |
| FORWARD VOLTAGE   |             | 12.0  | 14.0 | Vf         |                      |
| REVERSE VOLTAGE   | 5.0         |       |      | Vr         | $I_r=100\mu\text{A}$ |
| AXIAL INTENSITY   |             | 70400 |      | md         | $V_f=12\text{V}$     |
| VIEWING ANGLE   |             | 30    |      | $2x$ theta |                      |
| EMITTED COLOR:  | GREEN       |       |      |            |                      |
| LENS FINISH:  | WATER CLEAR |       |      |            |                      |

| LIMITS OF SAFE OPERATION AT $25^{\circ}\text{C}$ PER MODULE |            |                              |  |
|---|------------|------------------------------|--|
| PARAMETER   | MAX        | UNITS                        |  |
| PEAK FORWARD VOLTAGE  | 14         | V                            |  |
| STEADY CURRENT  | 110        | mA                           |  |
| POWER DISSIPATION   | 105        | mW                           |  |
| DERATE FROM $25^{\circ}\text{C}$                            | -1.2       | $\text{mW}/^{\circ}\text{C}$ |  |
| OPERATING TEMP.   | -40 TO +85 | $^{\circ}\text{C}$           |  |
| STORAGE TEMP.   | -40 TO +85 | $^{\circ}\text{C}$           |  |

CAUTION: STATIC SENSITIVE DEVICE  
FOLLOW PROPER E.S.D. HANDLING PROCEDURES  
WHEN WORKING WITH THIS PART.

\*UNLESS OTHERWISE SPECIFIED TOLERANCES PER DECIMAL PRECISION ARE: X=±1 (±0.039), X.X=±0.5 (±0.020), X.XX=±0.25 (±0.010), X.XXX=±0.127 (±0.005). LEAD SIZE=±0.05 (±0.002), LEAD LENGTH=±0.75 (±0.030). MIN=  $^{+0.00}$ / $^{-0.00}$  DECIMAL PRECISION MAX.=  $^{+0.00}$ / $^{-0.00}$  DECIMAL PRECISION



290 E. HELEN ROAD  
PALATINE, IL 60067-6976  
PHONE: +1.847.359.2790  
FAX: +1.847.359.6538  
WEB: WWW.LUMEX.COM

1156 LED REPLACEMENT LAMP, GREEN.

\*\*THE SPECIFICATIONS MAY CHANGE AT ANY TIME WITHOUT NOTICE DUE TO NEW MATERIALS OR PRODUCT IMPROVEMENT.\*\*

CONFIDENTIAL INFORMATION  
THE INFORMATION CONTAINED IN THIS DOCUMENT IS THE PROPERTY OF LUMEX INC. EXCEPT AS SPECIFICALLY AUTHORIZED IN WRITING BY LUMEX INC., THE HOLDER OF THIS DOCUMENT SHALL KEEP ALL INFORMATION CONTAINED HEREIN CONFIDENTIAL AND SHALL PROTECT SAME IN WHOLE OR IN PART FROM DISCLOSURE AND DISSEMINATION TO ALL THIRD PARTIES.

|        |           |           |    |
|--------|-----------|-----------|----|
| DATE:  | 12.12.11  | DRAWN BY: | AB |
| PAGE:  | 1 OF 1    | CHKD BY:  | JD |
| SCALE: | NTS       | APRVD BY: | SS |
| UNIT:  | mm [INCH] |           | Ⓟ  |