



Chipsmall Limited consists of a professional team with an average of over 10 year of expertise in the distribution of electronic components. Based in Hongkong, we have already established firm and mutual-benefit business relationships with customers from,Europe,America and south Asia,supplying obsolete and hard-to-find components to meet their specific needs.

With the principle of "Quality Parts,Customers Priority,Honest Operation,and Considerate Service",our business mainly focus on the distribution of electronic components. Line cards we deal with include Microchip,ALPS,ROHM,Xilinx,Pulse,ON,Everlight and Freescale. Main products comprise IC,Modules,Potentiometer,IC Socket,Relay,Connector.Our parts cover such applications as commercial,industrial, and automotives areas.

We are looking forward to setting up business relationship with you and hope to provide you with the best service and solution. Let us make a better world for our industry!



Contact us

Tel: +86-755-8981 8866 Fax: +86-755-8427 6832

Email & Skype: info@chipsmall.com Web: www.chipsmall.com

Address: A1208, Overseas Decoration Building, #122 Zhenhua RD., Futian, Shenzhen, China





SSRP105B1

Application Specific Discretes
ASD™

DUAL ASYMMETRICAL OVERVOLTAGE
PROTECTION FOR TELECOM LINE

MAIN APPLICATIONS

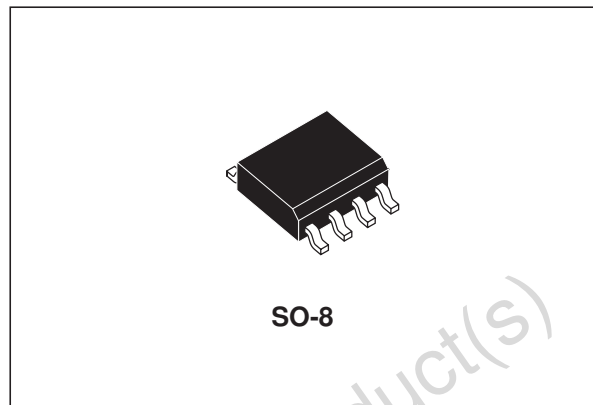
Where asymmetrical protection against lightning strikes and other transient overvoltages is required :

- Solid-State relays
- SLIC with integrated ring generator

DESCRIPTION

The SSRP105B1 is a dual asymmetrical transient voltage suppressor designed to protect a solid-state ring relay or SLICs with integrated ring generator from overvoltages.

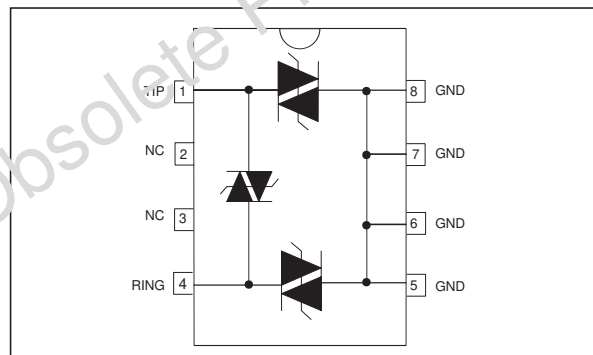
The asymmetrical protection configuration is necessary to allow the use of all different types of ringing schemes.



FEATURES

- Dual bi-directional asymmetrical protection
Stand-off voltages:
 - Between Line and Ground
 - +105V for positive voltages
 - 180V for negative voltages
 - Between Line and Line
 - +180V for positive voltages
 - 180V for negative voltages
- Peak pulse current: $I_{PP} = 50A$ (5/3, 10 μ s)
- Holding current:
 - $I_{H+} = 100mA$
 - $I_{H-} = 150mA$

FUNCTIONAL DIAGRAM



COMPLY WITH THE FOLLOWING STANDARDS

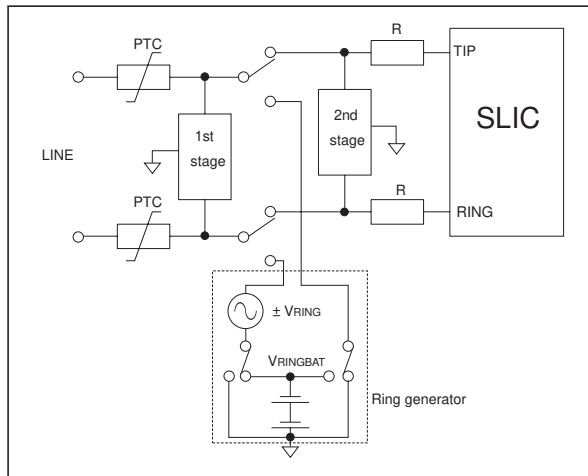
	Peak Surge Voltage (V)	Voltage Waveform (μ s)	Current Waveform (μ s)	Required Peak current (A)	Min. serial resistor to meet standards (Ω)
ITU-T K20 / K21	1500	10/700	5/310	38	-
VDE0433	2000	10/700	5/310	50	-
IEC61000-4-5	Level 3	10/700	5/310	50	-
	Level 4	1.2/50	8/20	100	-
FCC Part 68	1500	10/160	10/160	200	18
	800	10/560	10/560	100	10
BELLCORE GR1089 First level	2500	2/10	2/10	500	10
	1000	10/1000	10/1000	100	19

TM: ASD is trademarks of STMicroelectronics.

SSRP105B1

APPLICATION INFORMATION

Fig. 1: Topology of the classical line card protection.

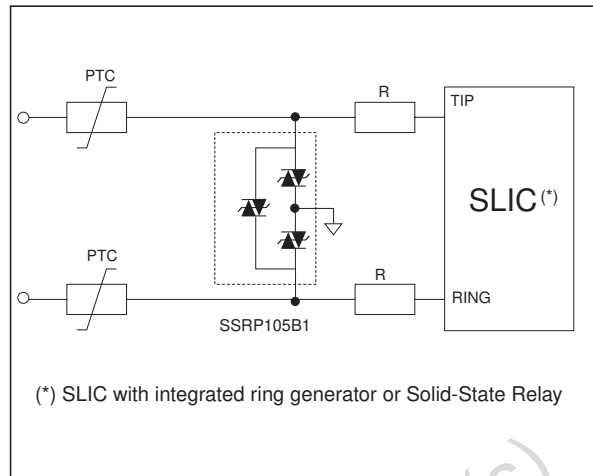


The classical line card requires protection before the ring relay and a second one for the SLIC (*figure 1*).

The use of new SLICs with integrated ring generator or board based on solid-state ring relay suppresses this second protection (*figure 2*). Then, the only remaining stage, located between the line and the ring relay, has to optimize the protection.

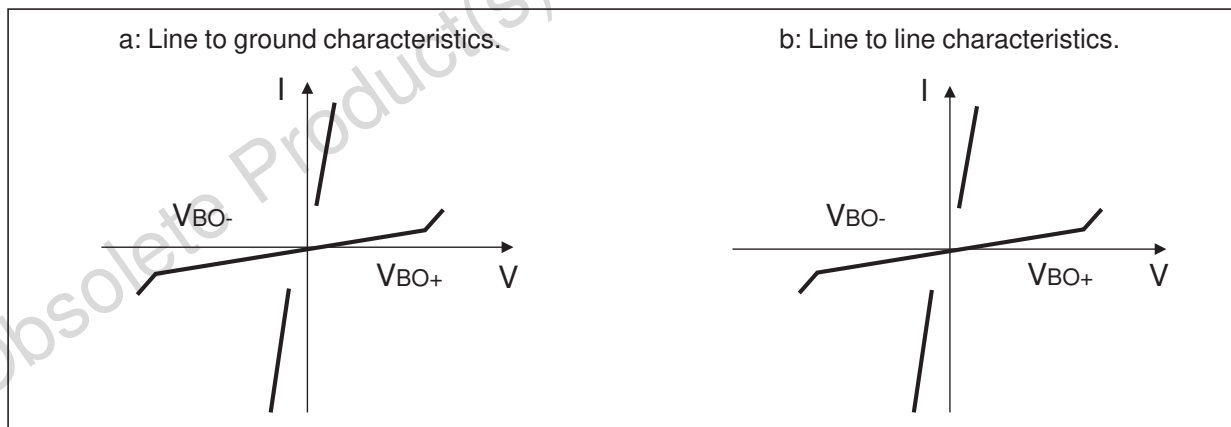
The classical symmetrical first stage protector becomes not sufficient to avoid any circuit destruction during surges.

Fig. 2: Classical use of the SSRP105B1.



The SSRP105B1 device takes into account this fact and is based on asymmetrical voltage characteristics (*figure 3a*). The ring signal being shifted back by the battery voltage, the SSRP105B1 negative breakover value V_{BO-} is greater than the positive one V_{BO+} . This point guarantees a protection operation very close to the peak of the normal operating voltage without any disturbance of the ring signal.

Fig. 3: SSRP105B1 electrical characteristics.



In addition with the 2 crowbar functions which perform the protection of both TIP and RING lines versus ground, a third cell assumes the differential mode protection of the SLIC. The breakover voltage values of this third cell are the same for

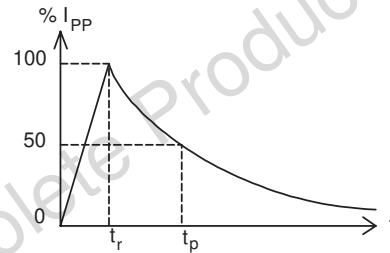
both positive and negative parts of the characteristics and are equivalent to the negative breakover voltage value of the TIP and RING lines versus GND cells (*figure 3b*).

ABSOLUTE MAXIMUM RATINGS ($T_{amb} = 25^{\circ}\text{C}$)

Symbol	Parameter	Value	Unit	
I_{PP}	Peak pulse current (see note 1)	10 / 1000 μs 10 / 560 μs 5 / 310 μs 10 / 160 μs 8 / 20 μs 2 / 10 μs	35 45 50 60 120 175	A
I_{TSM}	Non repetitive surge peak on-state current (F=50Hz)	$t_p = 0.2 \text{ s}$ $t_p = 5 \text{ s}$ $t_p = 15 \text{ min.}$	8.5 4.5 2.5	A
T_{op}	Operating temperature range		0 to + 70	$^{\circ}\text{C}$
T_{stg} T_j	Storage temperature range Maximum operating junction temperature		- 55 to + 150 + 150	$^{\circ}\text{C}$ $^{\circ}\text{C}$
T_L	Maximum lead temperature for soldering during 10s		260	$^{\circ}\text{C}$

Note 1 : Pulse waveform :

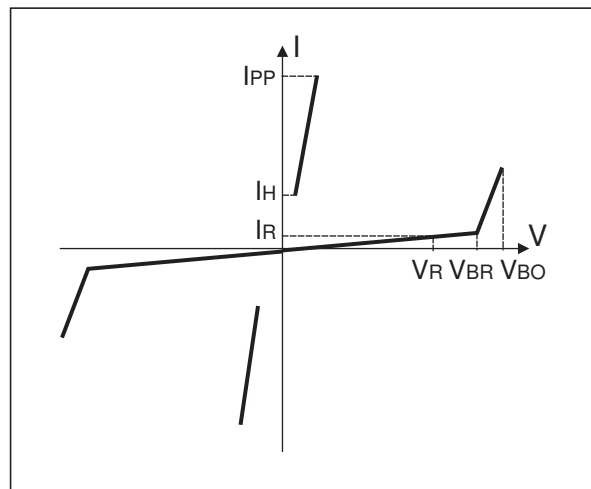
10/1000 μs	$t_r=10 \mu\text{s}$	$t_p=1000 \mu\text{s}$
10/560 μs	$t_r=10 \mu\text{s}$	$t_p=560 \mu\text{s}$
5/310 μs	$t_r=5 \mu\text{s}$	$t_p=310 \mu\text{s}$
10/160 μs	$t_r=10 \mu\text{s}$	$t_p=160 \mu\text{s}$
8/20 μs	$t_r=8 \mu\text{s}$	$t_p=20 \mu\text{s}$
2/10 μs	$t_r=2 \mu\text{s}$	$t_p=10 \mu\text{s}$

**THERMAL RESISTANCE**

Symbol	Parameter	Value	Unit
$R_{th(j-a)}$	Junction to ambient	170	$^{\circ}\text{C/W}$

ELECTRICAL CHARACTERISTICS ($T_{amb} = 25^{\circ}\text{C}$)

Symbol	Parameter
V_R	Stand-off voltage
I_R	Leakage current at stand-off voltage
V_{BR}	Breakdown voltage
V_{BO}	Breakover voltage
I_H	Holding current
I_{BO}	Breakover current
I_{PP}	Peak pulse current
C	Capacitance



SSRP105B1

ELECTRICAL CHARACTERISTICS between TIP and GND, RING and GND ($T_{amb}=25^{\circ}C$)

Symbol	Parameter	Test conditions (note 1)	Min.	Typ.	Max.	Unit
V_{BO}	Breakover voltage (note 2)	Positive voltage . 50Hz . 10/700 μ s			165 165	V
		Negative voltage . 50Hz . 10/700 μ s			225 225	
I_H	Holding current	Positive polarity Negative polarity	100 150			mA
I_R	Leakage current (note 3)	$V_R = +105 V$ $V_R = -180 V$			10 10	μ A
C	Capacitance	$F = 1MHz, V_{RMS} = 1V, V_{R(T/G)} = -5V$		30		pF
		$F = 1MHz, V_{RMS} = 1V, V_{R(T/G)} = -50V$		16		

ELECTRICAL CHARACTERISTICS between TIP and RING ($T_{amb}=25^{\circ}C$)

Symbol	Parameter	Test conditions	Min	Max	Unit
I_R	Leakage current (note 3)	$V_R = +180 V$ $V_R = -180 V$		10 10	μ A

Note 1: Positive voltage means between T and G, or between R and G.
Negative voltage means between G and T, or between G and R.
Note 2: See test circuit for V_{BO} parameters
Note 3: I_R measured at V_R guarantees $V_{BR} > V_R$

Fig. 4: Relative variation of holding current versus junction temperature.

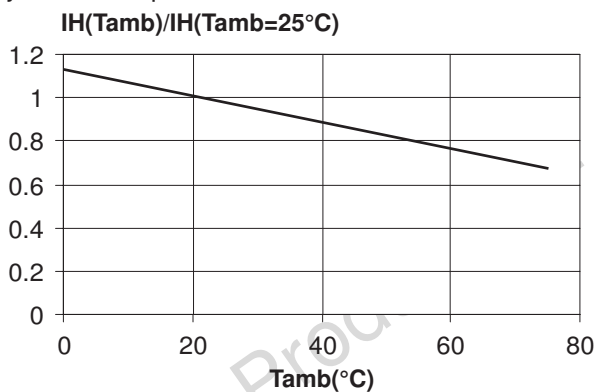


Fig. 5: Non-repetitive peak on-state current versus overload duration (T_j initial = $+25^{\circ}C$)..

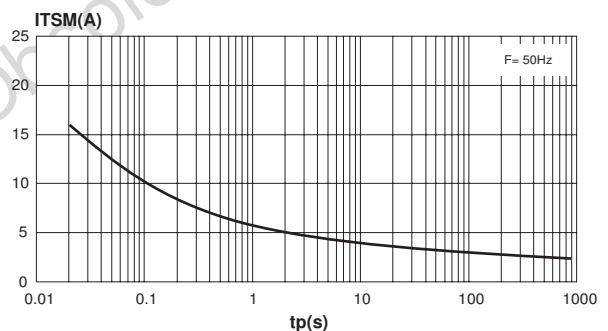
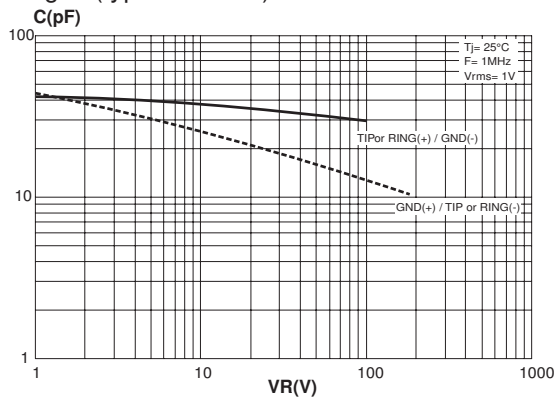


Fig. 6: Capacitance versus applied reverse voltages (typical values).



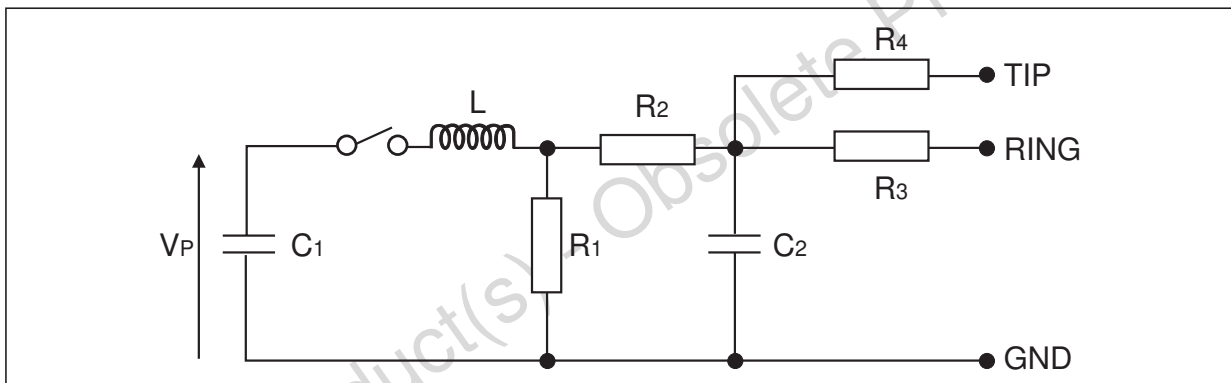
FUNCTION HOLDING CURRENT (I_H) TEST CIRCUIT (GO-NO GO TEST)

This is a GO-NOGO test which allows to confirm the holding current (I_H) level in a functional test circuit.

TEST PROCEDURE :

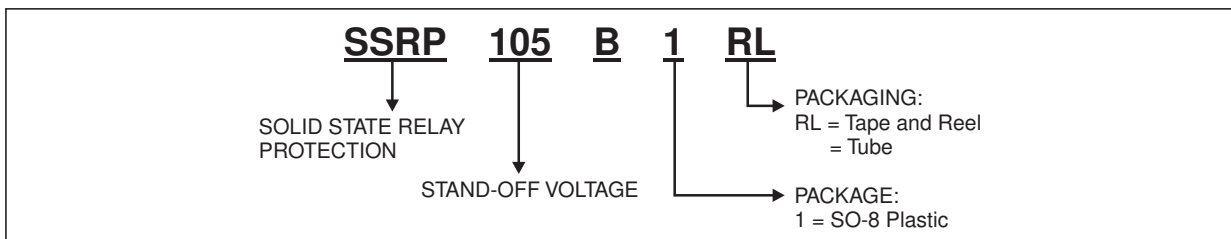
- 1) Adjust the current level at the I_H value by short circuiting the D.U.T.
- 2) Fire the D.U.T with a surge Current : I_{pp} = 10A , 10/1000μs.
- 3) The D.U.T will come back off-state within 50 ms max.

TEST CIRCUIT FOR V_{BO} PARAMETERS:



Pulse (μs)		V _p (V)	C ₁ (μF)	C ₂ (nF)	L (μH)	R ₁ (Ω)	R ₂ (Ω)	R ₃ (Ω)	R ₄ (Ω)	I _{PP} (A)	R _p (Ω)
t _r	t _p										
10	700	1000	20	200	0	50	15	25	25	38	0
1.2	50	1500	1	33	0	76	13	25	25	30	10
2	10	2500	10	0	1.1	1.3	0	3	3	38	62

ORDER CODE



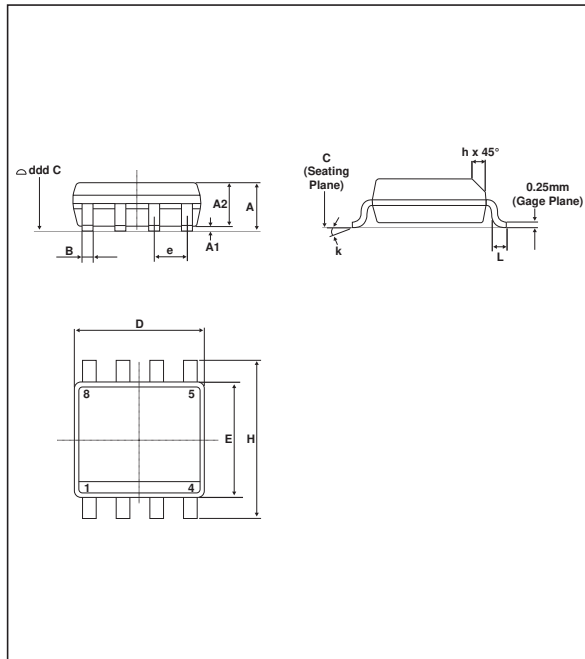
SSRP105B1

OTHER INFORMATION

Ordering type	Marking	Package	Weight	Base Qty (pcs)	Delivery mode
SSRP105B1 SSRP105B1RL	SSR105	SO-8	0.08 g.	100 2500	Tube Tape & Reel

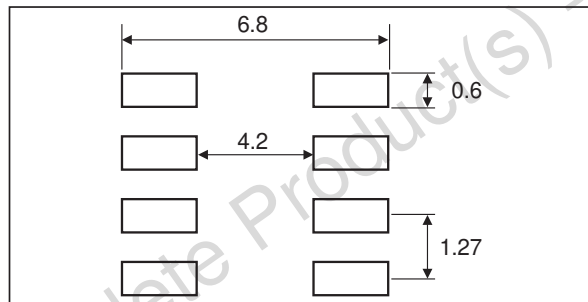
PACKAGE MECHANICAL DATA

SO-8 (Plastic)



REF.	DIMENSIONS			
	Millimetres		Inches	
	Min.	Max.	Min.	Max.
A	1.35	1.75	0.053	0.069
A1	0.1	0.25	0.004	0.010
A2	1.10	1.65	0.043	0.065
B	0.33	0.51	0.013	0.020
C	0.19	0.25	0.007	0.010
D	4.80	5.00	0.189	0.197
E	3.80	4.00	0.150	0.157
e	1.27 Typ.		0.05 Typ.	
H	5.80	6.20	0.228	0.244
h	0.25	0.50	0.010	0.019
L	0.40	1.27	0.016	0.050
k	8° (max)			
ddd	0.100		0.004	

FOOT-PRINT DIMENSIONS (in millimeters)



Information furnished is believed to be accurate and reliable. However, STMicroelectronics assumes no responsibility for the consequences of use of such information nor for any infringement of patents or other rights of third parties which may result from its use. No license is granted by implication or otherwise under any patent or patent rights of STMicroelectronics. Specifications mentioned in this publication are subject to change without notice. This publication supersedes and replaces all information previously supplied. STMicroelectronics products are not authorized for use as critical components in life support devices or systems without express written approval of STMicroelectronics.

The ST logo is a registered trademark of STMicroelectronics

© 2002 STMicroelectronics - Printed in Italy - All rights reserved.

STMicroelectronics GROUP OF COMPANIES

Australia - Brazil - Canada - China - Finland - France - Germany
 Hong Kong - India - Israel - Italy - Japan - Malaysia - Malta - Morocco - Singapore
 Spain - Sweden - Switzerland - United Kingdom - United States.

<http://www.st.com>