



Chipsmall Limited consists of a professional team with an average of over 10 year of expertise in the distribution of electronic components. Based in Hongkong, we have already established firm and mutual-benefit business relationships with customers from,Europe,America and south Asia,supplying obsolete and hard-to-find components to meet their specific needs.

With the principle of “Quality Parts,Customers Priority,Honest Operation,and Considerate Service”,our business mainly focus on the distribution of electronic components. Line cards we deal with include Microchip,ALPS,ROHM,Xilinx,Pulse,ON,Everlight and Freescale. Main products comprise IC,Modules,Potentiometer,IC Socket,Relay,Connector.Our parts cover such applications as commercial,industrial, and automotives areas.

We are looking forward to setting up business relationship with you and hope to provide you with the best service and solution. Let us make a better world for our industry!



## Contact us

Tel: +86-755-8981 8866 Fax: +86-755-8427 6832

Email & Skype: info@chipsmall.com Web: www.chipsmall.com

Address: A1208, Overseas Decoration Building, #122 Zhenhua RD., Futian, Shenzhen, China



# SSTUA32864

## 1.8 V configurable registered buffer for DDR2-667 RDIMM applications

Rev. 02 — 9 March 2007

Product data sheet

### 1. General description

The SSTUA32864 is a 25-bit 1 : 1 or 14-bit 1 : 2 configurable registered buffer designed for 1.7 V to 2.0 V  $V_{DD}$  operation.

All clock and data inputs are compatible with the JEDEC standard for SSTL\_18. The control inputs are LVCMOS. All outputs are 1.8 V CMOS drivers that have been optimized to drive the DDR2 DIMM load.

The SSTUA32864 operates from a differential clock (CK and  $\overline{CK}$ ). Data are registered at the crossing of CK going HIGH, and  $\overline{CK}$  going LOW.

The C0 input controls the pinout configuration of the 1 : 2 pinout from A configuration (when LOW) to B configuration (when HIGH). The C1 input controls the pinout configuration from 25-bit 1 : 1 (when LOW) to 14-bit 1 : 2 (when HIGH).

The device supports low-power standby operation. When the reset input ( $\overline{RESET}$ ) is LOW, the differential input receivers are disabled, and un-driven (floating) data, clock and reference voltage (VREF) inputs are allowed. In addition, when  $\overline{RESET}$  is LOW all registers are reset, and all outputs are forced LOW. The LVCMOS  $\overline{RESET}$  and Cn inputs must always be held at a valid logic HIGH or LOW level.

To ensure defined outputs from the register before a stable clock has been supplied,  $\overline{RESET}$  must be held in the LOW state during power-up.

In the DDR2 RDIMM application,  $\overline{RESET}$  is specified to be completely asynchronous with respect to CK and  $\overline{CK}$ . Therefore, no timing relationship can be guaranteed between the two. When entering reset, the register will be cleared and the data outputs will be driven LOW quickly, relative to the time to disable the differential input receivers. However, when coming out of reset, the register will become active quickly, relative to the time to enable the differential input receivers. As long as the data inputs are LOW, and the clock is stable during the time from the LOW-to-HIGH transition of  $\overline{RESET}$  until the input receivers are fully enabled, the design of the SSTUA32864 must ensure that the outputs will remain LOW, thus ensuring no glitches on the output.

The device monitors both  $\overline{DCS}$  and  $\overline{CSR}$  inputs and will gate the Qn outputs from changing states when both  $\overline{DCS}$  and  $\overline{CSR}$  inputs are HIGH. If either  $\overline{DCS}$  or  $\overline{CSR}$  input is LOW, the Qn outputs will function normally. The  $\overline{RESET}$  input has priority over the  $\overline{DCS}$  and  $\overline{CSR}$  control and will force the outputs LOW. If the  $\overline{DCS}$ -control functionality is not desired, then the  $\overline{CSR}$  input can be hardwired to ground, in which case the setup time requirement for  $\overline{DCS}$  would be the same as for the other Dn data inputs.

The SSTUA32864 is available in a 96-ball, low profile fine-pitch ball grid array (LFBGA96) package.

## 2. Features

- Configurable register supporting DDR2 Registered DIMM applications
- Configurable to 25-bit 1 : 1 mode or 14-bit 1 : 2 mode
- Controlled output impedance drivers enable optimal signal integrity and speed
- Exceeds SSTUA32864 JEDEC specification speed performance (1.8 ns max. single-bit switching propagation delay; 2.0 ns max. mass-switching)
- Supports up to 450 MHz clock frequency of operation
- Optimized pinout for high-density DDR2 module design
- Chip-selects minimize power consumption by gating data outputs from changing state
- Supports SSTL\_18 data inputs
- Differential clock (CK and  $\overline{CK}$ ) inputs
- Supports LVCMOS switching levels on the control and  $\overline{RESET}$  inputs
- Single 1.8 V supply operation (1.7 V to 2.0 V)
- Available in 96-ball, 13.5 mm × 5.5 mm, 0.8 mm ball pitch LFBGA package

## 3. Applications

- 400 MT/s to 667 MT/s DDR2 registered DIMMs without parity

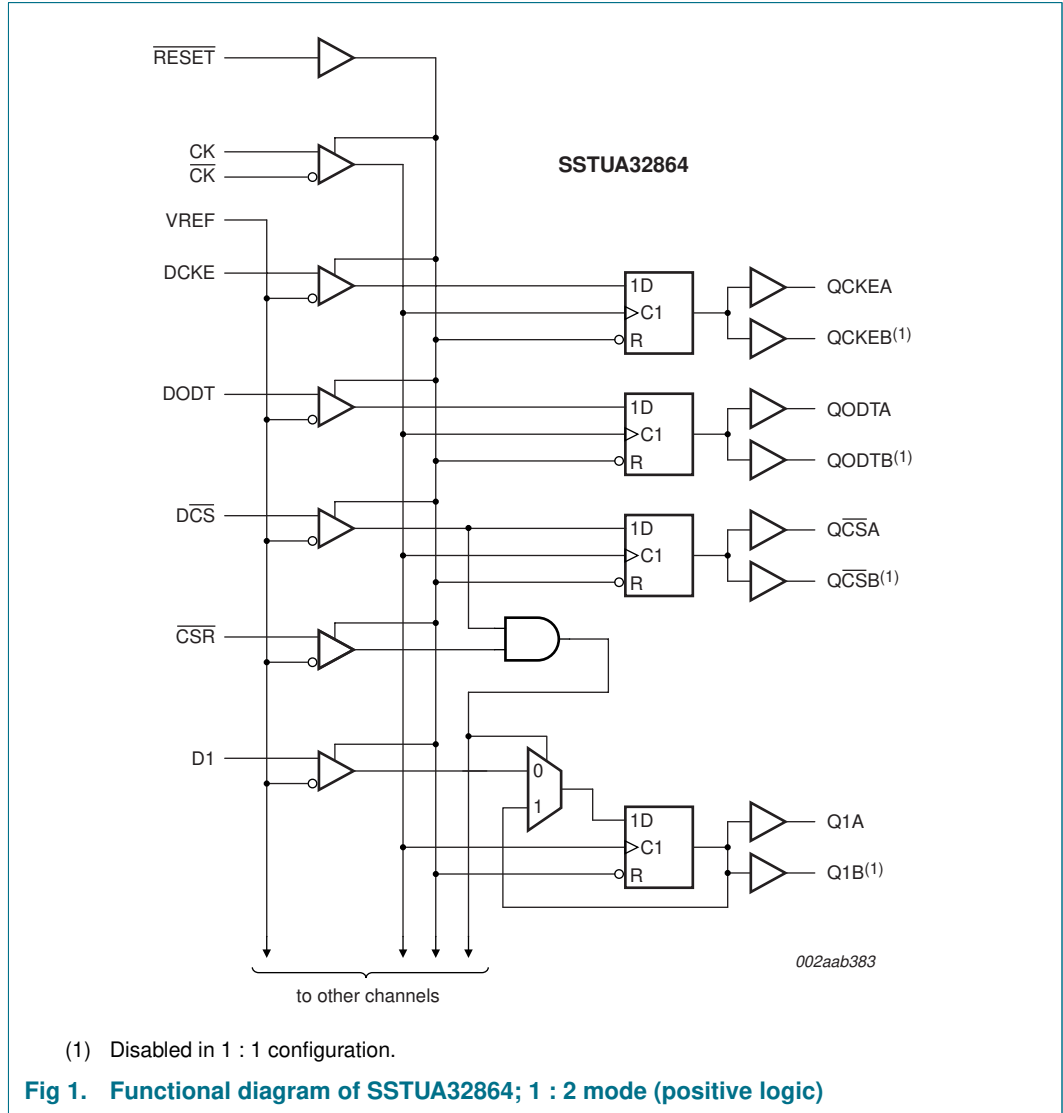
## 4. Ordering information

**Table 1. Ordering information**

$T_{amb} = 0\text{ }^{\circ}\text{C to }+70\text{ }^{\circ}\text{C}$ .

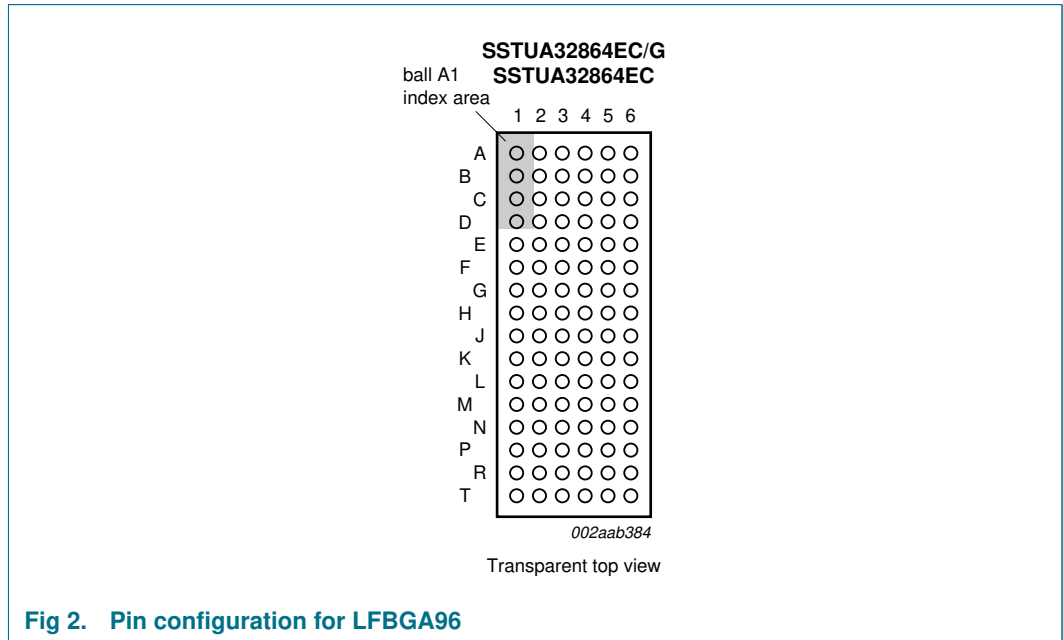
Type number	Solder process	Package		
		Name	Description	Version
SSTUA32864EC/G	Pb-free (SnAgCu solder ball compound)	LFBGA96	plastic low profile fine-pitch ball grid array package; 96 balls; body 13.5 × 5.5 × 1.05 mm	SOT536-1
SSTUA32864EC	SnPb solder ball compound	LFBGA96	plastic low profile fine-pitch ball grid array package; 96 balls; body 13.5 × 5.5 × 1.05 mm	SOT536-1

5. Functional diagram



## 6. Pinning information

### 6.1 Pinning



	1	2	3	4	5	6
A	DCKE	n.c.	VREF	V <sub>DD</sub>	QCKE	DNU
B	D2	D15	GND	GND	Q2	Q15
C	D3	D16	V <sub>DD</sub>	V <sub>DD</sub>	Q3	Q16
D	DODT	n.c.	GND	GND	QODT	DNU
E	D5	D17	V <sub>DD</sub>	V <sub>DD</sub>	Q5	Q17
F	D6	D18	GND	GND	Q6	Q18
G	n.c.	RESET	V <sub>DD</sub>	V <sub>DD</sub>	C1	C0
H	CK	DCS	GND	GND	QCS	DNU
J	CK	CSR	V <sub>DD</sub>	V <sub>DD</sub>	ZOH	ZOL
K	D8	D19	GND	GND	Q8	Q19
L	D9	D20	V <sub>DD</sub>	V <sub>DD</sub>	Q9	Q20
M	D10	D21	GND	GND	Q10	Q21
N	D11	D22	V <sub>DD</sub>	V <sub>DD</sub>	Q11	Q22
P	D12	D23	GND	GND	Q12	Q23
R	D13	D24	V <sub>DD</sub>	V <sub>DD</sub>	Q13	Q24
T	D14	D25	VREF	V <sub>DD</sub>	Q14	Q25

002aaa955

**Fig 3. Ball mapping; 1 : 1 register (C0 = 0, C1 = 0); top view**

1.8 V configurable registered buffer for DDR2-667 RDIMM applications

	1	2	3	4	5	6
A	DCKE	n.c.	VREF	V <sub>DD</sub>	QCKEA	QCKEB
B	D2	DNU	GND	GND	Q2A	Q2B
C	D3	DNU	V <sub>DD</sub>	V <sub>DD</sub>	Q3A	Q3B
D	DODT	n.c.	GND	GND	QODTA	QODTB
E	D5	DNU	V <sub>DD</sub>	V <sub>DD</sub>	Q5A	Q5B
F	D6	DNU	GND	GND	Q6A	Q6B
G	n.c.	$\overline{\text{RESET}}$	V <sub>DD</sub>	V <sub>DD</sub>	C1	C0
H	CK	$\overline{\text{DCS}}$	GND	GND	$\overline{\text{QCSA}}$	$\overline{\text{QCSB}}$
J	$\overline{\text{CK}}$	$\overline{\text{CSR}}$	V <sub>DD</sub>	V <sub>DD</sub>	ZOH	ZOL
K	D8	DNU	GND	GND	Q8A	Q8B
L	D9	DNU	V <sub>DD</sub>	V <sub>DD</sub>	Q9A	Q9B
M	D10	DNU	GND	GND	Q10A	Q10B
N	D11	DNU	V <sub>DD</sub>	V <sub>DD</sub>	Q11A	Q11B
P	D12	DNU	GND	GND	Q12A	Q12B
R	D13	DNU	V <sub>DD</sub>	V <sub>DD</sub>	Q13A	Q13B
T	D14	DNU	VREF	V <sub>DD</sub>	Q14A	Q14B

002aaa956

**Fig 4. Ball mapping; 1 : 2 register A (C0 = 0, C1 = 1); top view**

	1	2	3	4	5	6
A	D1	n.c.	VREF	V <sub>DD</sub>	Q1A	Q1B
B	D2	DNU	GND	GND	Q2A	Q2B
C	D3	DNU	V <sub>DD</sub>	V <sub>DD</sub>	Q3A	Q3B
D	D4	n.c.	GND	GND	Q4A	Q4B
E	D5	DNU	V <sub>DD</sub>	V <sub>DD</sub>	Q5A	Q5B
F	D6	DNU	GND	GND	Q6A	Q6B
G	n.c.	$\overline{\text{RESET}}$	V <sub>DD</sub>	V <sub>DD</sub>	C1	C0
H	CK	$\overline{\text{DCS}}$	GND	GND	$\overline{\text{QCSA}}$	$\overline{\text{QCSB}}$
J	$\overline{\text{CK}}$	$\overline{\text{CSR}}$	V <sub>DD</sub>	V <sub>DD</sub>	ZOH	ZOL
K	D8	DNU	GND	GND	Q8A	Q8B
L	D9	DNU	V <sub>DD</sub>	V <sub>DD</sub>	Q9A	Q9B
M	D10	DNU	GND	GND	Q10A	Q10B
N	DODT	DNU	V <sub>DD</sub>	V <sub>DD</sub>	QODTA	QODTB
P	D12	DNU	GND	GND	Q12A	Q12B
R	D13	DNU	V <sub>DD</sub>	V <sub>DD</sub>	Q13A	Q13B
T	DCKE	DNU	VREF	V <sub>DD</sub>	QCKEA	QCKEB

002aaa957

**Fig 5. Ball mapping; 1 : 2 register B (C0 = 1, C1 = 1); top view**

## 6.2 Pin description

**Table 2. Pin description**

Symbol	Pin	Type	Description
GND	B3, B4, D3, D4, F3, F4, H3, H4, K3, K4, M3, M4, P3, P4	ground input	ground
V <sub>DD</sub>	A4, C3, C4, E3, E4, G3, G4, J3, J4, L3, L4, N3, N4, R3, R4, T4	1.8 V nominal	power supply voltage
VREF	A3, T3	0.9 V nominal	input reference voltage
ZOH	J5	input	reserved for future use
ZOL	J6	input	reserved for future use
CK	H1	differential input	positive master clock input
$\overline{\text{CK}}$	J1	differential input	negative master clock input
C0, C1	G6, G5	LVC MOS inputs	configuration control inputs
$\overline{\text{RESET}}$	G2	LVC MOS input	Asynchronous reset input (active LOW). Resets registers and disables VREF data and clock differential-input receivers.
$\overline{\text{CSR}}$ , $\overline{\text{DCS}}$	J2, H2	SSTL_18 input	Chip select inputs (active LOW). Disables data outputs switching when both inputs are HIGH. <sup>[2]</sup>
D1 to D25	[1]	SSTL_18 input	Data inputs. Clocked in on the crossing of the rising edge of CK and the falling edge of $\overline{\text{CK}}$ .
DODT	[1]	SSTL_18 input	The outputs of this register will not be suspended by $\overline{\text{DCS}}$ and $\overline{\text{CSR}}$ control.
DCKE	[1]	SSTL_18 input	The outputs of this register will not be suspended by $\overline{\text{DCS}}$ and $\overline{\text{CSR}}$ control.
Q1 to Q25, Q1A to Q14A, Q1B to Q14B	[1]	1.8 V CMOS	The outputs that are suspended by $\overline{\text{DCS}}$ and $\overline{\text{CSR}}$ control <sup>[3]</sup> .
$\overline{\text{QCS}}$ , $\overline{\text{QCSA}}$ , $\overline{\text{QCSB}}$	[1]	1.8 V CMOS	Data outputs that will not be suspended by $\overline{\text{DCS}}$ and $\overline{\text{CSR}}$ control.
QODT, QODTA, QODTB	[1]	1.8 V CMOS	Data outputs that will not be suspended by $\overline{\text{DCS}}$ and $\overline{\text{CSR}}$ control.
QCKE, QCKEA, QCKEB	[1]	1.8 V CMOS	Data outputs that will not be suspended by $\overline{\text{DCS}}$ and $\overline{\text{CSR}}$ control.
n.c.	A2, D2, G1	-	Not connected. Ball present but no internal connection to the die.
DNU	[1]	-	Do-not-use. Ball internally connected to the die which should be left open-circuit.

[1] Depends on configuration. See [Figure 3](#), [Figure 4](#), and [Figure 5](#) for ball number.

[2] Configurations:  
 Data inputs = D2, D3, D5, D6, D8 to D25 when C0 = 0 and C1 = 0.  
 Data inputs = D2, D3, D5, D6, D8 to D14 when C0 = 0 and C1 = 1.  
 Data inputs = D1 to D6, D8 to D10, D12, D13 when C0 = 1 and C1 = 1.

[3] Configurations:  
 Data outputs = Q2, Q3, Q5, Q6, Q8 to Q25 when C0 = 0 and C1 = 0.  
 Data outputs = Q2, Q3, Q5, Q6, Q8 to Q14 when C0 = 0 and C1 = 1.  
 Data outputs = Q1 to Q6, Q8 to Q10, Q12, Q13 when C0 = 1 and C1 = 1.

## 7. Functional description

### 7.1 Function table

**Table 3. Function table (each flip-flop)**

*L = LOW voltage level; H = HIGH voltage level; X = don't care; ↑ = LOW-to-HIGH transition; ↓ = HIGH-to-LOW transition*

Inputs						Outputs <sup>[1]</sup>		
RESET	DCS	CSR	CK	CK	Dn, DODT, DCKE	Qn	QCS	QODT, QCKE
H	L	L	↑	↓	L	L	L	L
H	L	L	↑	↓	H	H	L	H
H	L	L	L or H	L or H	X	Q <sub>0</sub>	Q <sub>0</sub>	Q <sub>0</sub>
H	L	H	↑	↓	L	L	L	L
H	L	H	↑	↓	H	H	L	H
H	L	H	L or H	L or H	X	Q <sub>0</sub>	Q <sub>0</sub>	Q <sub>0</sub>
H	H	L	↑	↓	L	L	H	L
H	H	L	↑	↓	H	H	H	H
H	H	L	L or H	L or H	X	Q <sub>0</sub>	Q <sub>0</sub>	Q <sub>0</sub>
H	H	H	↑	↓	L	Q <sub>0</sub>	H	L
H	H	H	↑	↓	H	Q <sub>0</sub>	H	H
H	H	H	L or H	L or H	X	Q <sub>0</sub>	Q <sub>0</sub>	Q <sub>0</sub>
L	X or floating	X or floating	X or floating	X or floating	X or floating	L	L	L

[1] Q<sub>0</sub> is the previous state of the associated output.



## 8. Limiting values

**Table 4. Limiting values**

In accordance with the Absolute Maximum Rating System (IEC 60134).

Symbol	Parameter	Conditions	Min	Max	Unit
V <sub>DD</sub>	supply voltage		-0.5	+2.5	V
V <sub>I</sub>	input voltage	receiver	-0.5 <sup>[1]</sup>	+2.5 <sup>[2]</sup>	V
V <sub>O</sub>	output voltage	driver	-0.5 <sup>[1]</sup>	V <sub>DD</sub> + 0.5 <sup>[2]</sup>	V
I <sub>IK</sub>	input clamping current	V <sub>I</sub> < 0 V or V <sub>I</sub> > V <sub>DD</sub>	-	±50	mA
I <sub>OK</sub>	output clamping current	V <sub>O</sub> < 0 V or V <sub>O</sub> > V <sub>DD</sub>	-	±50	mA
I <sub>O</sub>	output current	continuous; 0 V < V <sub>O</sub> < V <sub>DD</sub>	-	±50	mA
I <sub>CCC</sub>	continuous current through each V <sub>DD</sub> or GND pin		-	±100	mA
T <sub>stg</sub>	storage temperature		-65	+150	°C
V <sub>esd</sub>	electrostatic discharge voltage	Human Body Model (HBM); 1.5 kΩ; 100 pF	2	-	kV
		Machine Model (MM); 0 Ω; 200 pF	200	-	V

[1] The input and output negative-voltage ratings may be exceeded if the input and output current ratings are observed.

[2] This value is limited to 2.5 V maximum.

## 9. Recommended operating conditions

**Table 5. Operating conditions**

Symbol	Parameter	Conditions	Min	Typ	Max	Unit
V <sub>DD</sub>	supply voltage		1.7	-	2.0	V
V <sub>ref</sub>	reference voltage		0.49 × V <sub>DD</sub>	0.50 × V <sub>DD</sub>	0.51 × V <sub>DD</sub>	V
V <sub>T</sub>	termination voltage		V <sub>ref</sub> - 0.040	V <sub>ref</sub>	V <sub>ref</sub> + 0.040	V
V <sub>I</sub>	input voltage		0	-	V <sub>DD</sub>	V
V <sub>IH(AC)</sub>	AC HIGH-level input voltage	data inputs (Dn), $\overline{\text{CSR}}$	V <sub>ref</sub> + 0.250	-	-	V
V <sub>IL(AC)</sub>	AC LOW-level input voltage	data inputs (Dn), $\overline{\text{CSR}}$	-	-	V <sub>ref</sub> - 0.250	V
V <sub>IH(DC)</sub>	DC HIGH-level input voltage	data inputs (Dn), $\overline{\text{CSR}}$	V <sub>ref</sub> + 0.125	-	-	V
V <sub>IL(DC)</sub>	DC LOW-level input voltage	data inputs (Dn), $\overline{\text{CSR}}$	-	-	V <sub>ref</sub> - 0.125	V
V <sub>IH</sub>	HIGH-level input voltage	$\overline{\text{RESET}}$ , Cn	<sup>[1]</sup> 0.65 × V <sub>DD</sub>	-	V <sub>DD</sub>	V
V <sub>IL</sub>	LOW-level input voltage	$\overline{\text{RESET}}$ , Cn	<sup>[1]</sup> -	-	0.35 × V <sub>DD</sub>	V
V <sub>ICR</sub>	common mode input voltage range	CK, $\overline{\text{CK}}$	<sup>[2]</sup> 0.675	-	1.125	V
V <sub>ID</sub>	differential input voltage	CK, $\overline{\text{CK}}$	<sup>[2]</sup> 600	-	-	mV
I <sub>OH</sub>	HIGH-level output current		-	-	-8	mA
I <sub>OL</sub>	LOW-level output current		-	-	8	mA
T <sub>amb</sub>	ambient temperature	operating in free air	0	-	+70	°C

[1] The  $\overline{\text{RESET}}$  and Cn inputs of the device must be held at valid logic levels (not floating) to ensure proper device operation.

[2] The differential inputs must not be floating, unless  $\overline{\text{RESET}}$  is LOW.

## 10. Characteristics

**Table 6. Characteristics**

Recommended operating conditions;  $T_{amb} = 0\text{ }^{\circ}\text{C}$  to  $+70\text{ }^{\circ}\text{C}$ ; all voltages are referenced to GND (ground = 0 V); unless otherwise specified.

Symbol	Parameter	Conditions	Min	Typ	Max	Unit
$V_{OH}$	HIGH-level output voltage	$I_{OH} = -6\text{ mA}$ ; $V_{DD} = 1.7\text{ V}$	1.2	-	-	V
$V_{OL}$	LOW-level output voltage	$I_{OL} = 6\text{ mA}$ ; $V_{DD} = 1.7\text{ V}$	-	-	0.5	V
$I_I$	input current	all inputs; $V_I = V_{DD}$ or GND; $V_{DD} = 2.0\text{ V}$	-5	-	+5	$\mu\text{A}$
$I_{DD}$	supply current	static standby; $\overline{\text{RESET}} = \text{GND}$ ; $I_O = 0\text{ mA}$ ; $V_{DD} = 2.0\text{ V}$	-	-	2	mA
		static operating; $\overline{\text{RESET}} = V_{DD}$ ; $I_O = 0\text{ mA}$ ; $V_{DD} = 2.0\text{ V}$ ; $V_I = V_{IH(AC)}$ or $V_{IL(AC)}$	-	-	40	mA
$I_{DDD}$	dynamic operating current per MHz	clock only; $\overline{\text{RESET}} = V_{DD}$ ; $V_I = V_{IH(AC)}$ or $V_{IL(AC)}$ ; CK and $\overline{\text{CK}}$ switching at 50 % duty cycle. $I_O = 0\text{ mA}$ ; $V_{DD} = 2.0\text{ V}$	-	16	-	$\mu\text{A}$
		per each data input, 1 : 1 mode; $\overline{\text{RESET}} = V_{DD}$ ; $V_I = V_{IH(AC)}$ or $V_{IL(AC)}$ ; CK and $\overline{\text{CK}}$ switching at 50 % duty cycle. One data input switching at half clock frequency, 50 % duty cycle. $I_O = 0\text{ mA}$ ; $V_{DD} = 2.0\text{ V}$	-	11	-	$\mu\text{A}$
		per each data input, 1 : 2 mode; $\overline{\text{RESET}} = V_{DD}$ ; $V_I = V_{IH(AC)}$ or $V_{IL(AC)}$ ; CK and $\overline{\text{CK}}$ switching at 50 % duty cycle. One data input switching at half clock frequency, 50 % duty cycle. $I_O = 0\text{ mA}$ ; $V_{DD} = 2.0\text{ V}$	-	19	-	$\mu\text{A}$
$C_i$	input capacitance	data inputs, $\overline{\text{CSR}}$ ; $V_I = V_{ref} \pm 250\text{ mV}$ ; $V_{DD} = 1.8\text{ V}$	2.5	-	3.5	pF
		CK and $\overline{\text{CK}}$ ; $V_{ICR} = 0.9\text{ V}$ ; $V_{ID} = 600\text{ mV}$ ; $V_{DD} = 1.8\text{ V}$	2	-	3	pF
		$\overline{\text{RESET}}$ ; $V_I = V_{DD}$ or GND; $V_{DD} = 1.8\text{ V}$	2	-	4	pF

**Table 7. Timing requirements**

Recommended operating conditions;  $T_{amb} = 0\text{ }^{\circ}\text{C}$  to  $+70\text{ }^{\circ}\text{C}$ ;  $V_{DD} = 1.8\text{ V} \pm 0.1\text{ V}$ ; unless otherwise specified. See [Figure 6](#) through [Figure 11](#).

Symbol	Parameter	Conditions	Min	Typ	Max	Unit
$f_{\text{clock}}$	clock frequency		-	-	450	MHz
$t_{\text{W}}$	pulse width	CK, $\overline{\text{CK}}$ HIGH or LOW	1	-	-	ns
$t_{\text{ACT}}$	differential inputs active time		[1][2]	-	10	ns
$t_{\text{INACT}}$	differential inputs inactive time		[1][3]	-	15	ns
$t_{\text{su}}$	set-up time	DCS before CK $\uparrow$ , $\overline{\text{CK}}$ $\downarrow$ , $\overline{\text{CSR}}$ HIGH	0.7	-	-	ns
		DCS before CK $\uparrow$ , $\overline{\text{CK}}$ $\downarrow$ , $\overline{\text{CSR}}$ LOW	0.5	-	-	ns
		$\overline{\text{CSR}}$ , ODT, CKE, and data before CK $\uparrow$ , $\overline{\text{CK}}$ $\downarrow$	0.5	-	-	ns
$t_{\text{h}}$	hold time	DCS, $\overline{\text{CSR}}$ , ODT, CKE, and data after CK $\uparrow$ , $\overline{\text{CK}}$ $\downarrow$	0.5	-	-	ns

[1] This parameter is not necessarily production tested.

[2] Data inputs must be active below a minimum time of  $t_{\text{ACT(max)}}$  after  $\overline{\text{RESET}}$  is taken HIGH.

[3] Data and clock inputs must be held at valid levels (not floating) a minimum time of  $t_{\text{INACT(max)}}$  after  $\overline{\text{RESET}}$  is taken LOW.

**Table 8. Switching characteristics**

Recommended operating conditions;  $T_{amb} = 0\text{ }^{\circ}\text{C}$  to  $+70\text{ }^{\circ}\text{C}$ ;  $V_{DD} = 1.8\text{ V} \pm 0.1\text{ V}$ ; Class I,  $V_{\text{ref}} = V_T = V_{DD} \times 0.5$  and  $C_L = 10\text{ pF}$ ; unless otherwise specified. See [Figure 6](#) through [Figure 11](#).

Symbol	Parameter	Conditions	Min	Typ	Max	Unit	
$f_{\text{max}}$	maximum input clock frequency		450	-	-	MHz	
$t_{\text{PDM}}$	peak propagation delay	CK and $\overline{\text{CK}}$ to output	[1]	1.2	-	1.8	ns
$t_{\text{PDMSS}}$	simultaneous switching peak propagation delay	CK and $\overline{\text{CK}}$ to output	[1][2]	-	-	2.0	ns
$t_{\text{PHL}}$	HIGH-to-LOW propagation delay	$\overline{\text{RESET}}$ to output	-	-	3	ns	

[1] Includes 350 ps of test-load transmission line delay.

[2] This parameter is not necessarily production tested.

**Table 9. Output edge rates**

Recommended operating conditions;  $V_{DD} = 1.8\text{ V} \pm 0.1\text{ V}$ ; unless otherwise specified.

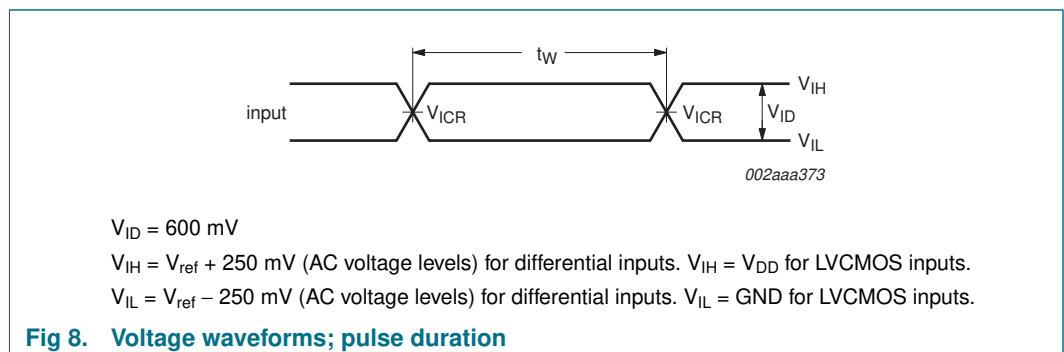
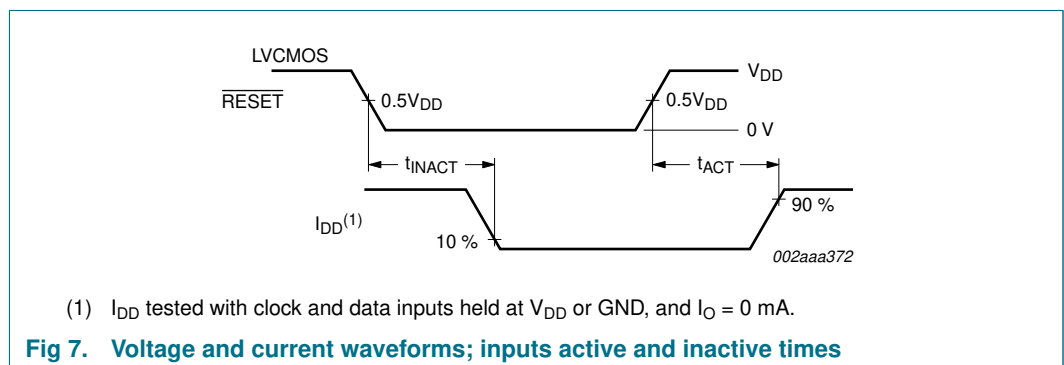
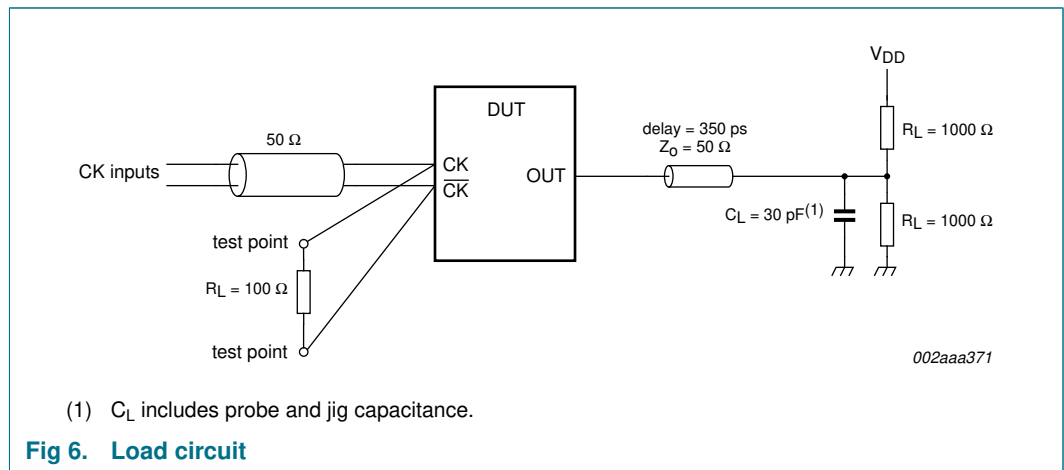
Symbol	Parameter	Conditions	Min	Typ	Max	Unit
$dV/dt_{\text{r}}$	rising edge slew rate		1	-	4	V/ns
$dV/dt_{\text{f}}$	falling edge slew rate		1	-	4	V/ns
$dV/dt_{\Delta}$	absolute difference between $dV/dt_{\text{r}}$ and $dV/dt_{\text{f}}$		-	-	1	V/ns

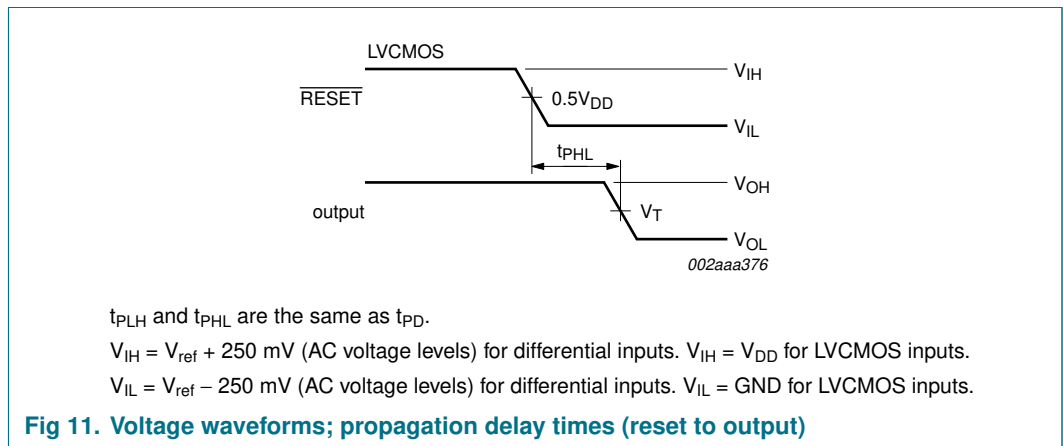
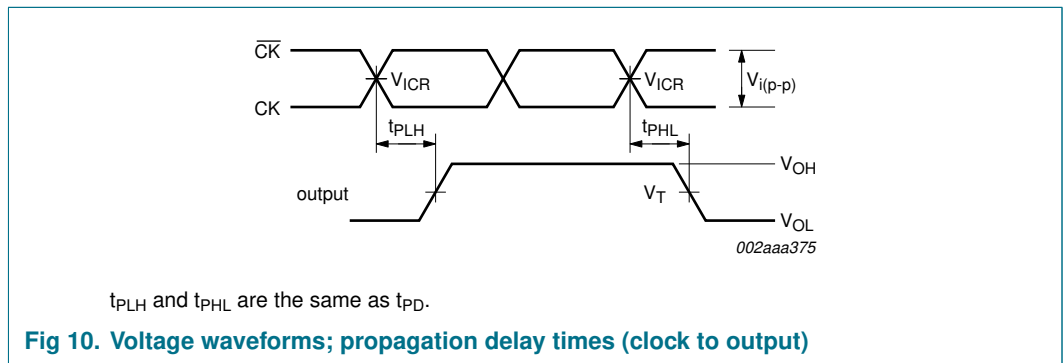
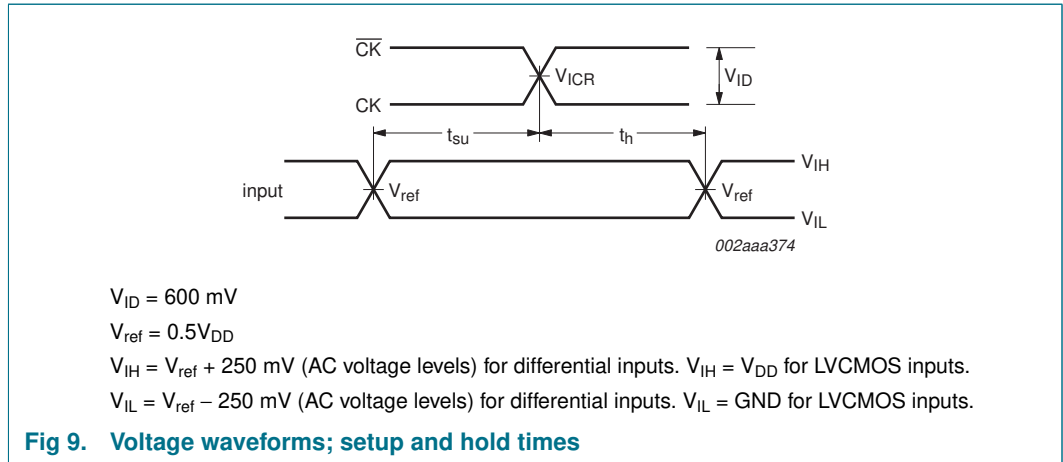
## 11. Test information

### 11.1 Test circuit

All input pulses are supplied by generators having the following characteristics: PRR  $\leq$  10 MHz;  $Z_0 = 50 \Omega$ ; input slew rate = 1 V/ns  $\pm$  20 %, unless otherwise specified.

The outputs are measured one at a time with one transition per measurement.

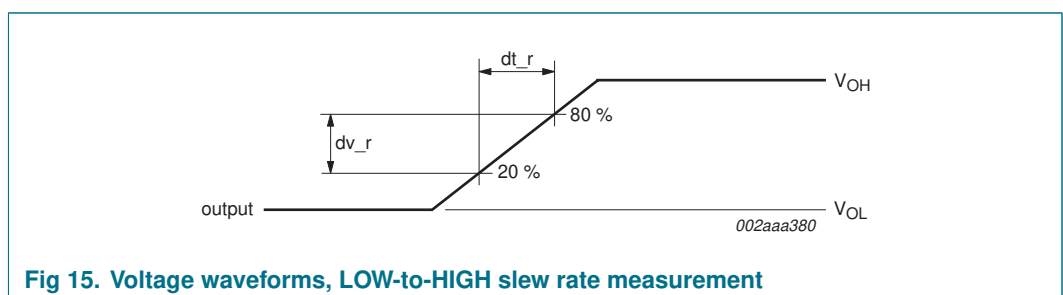
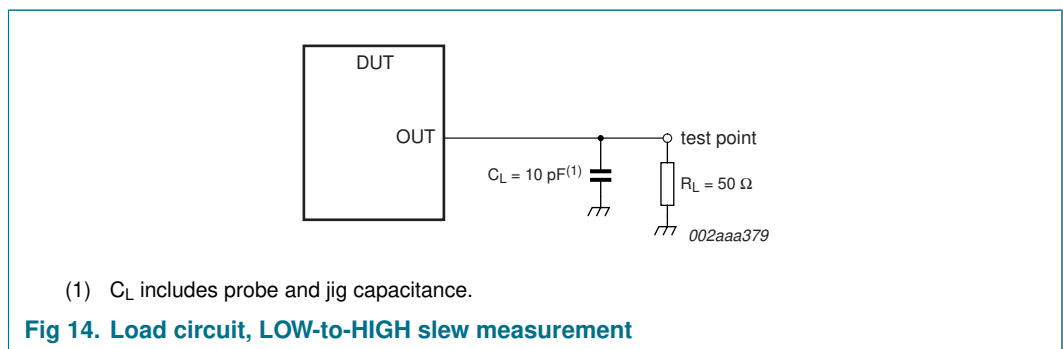
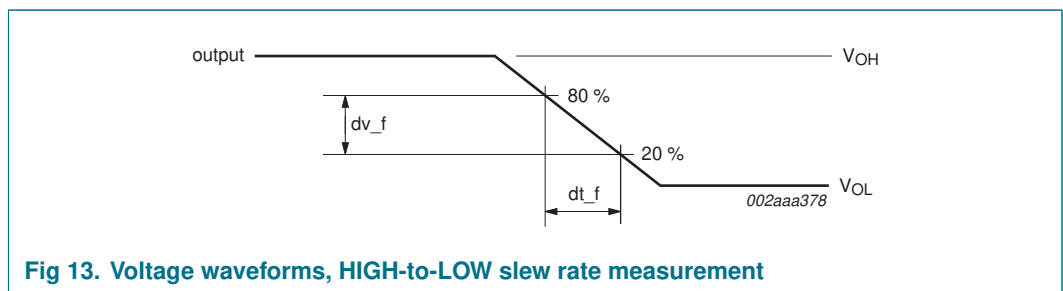
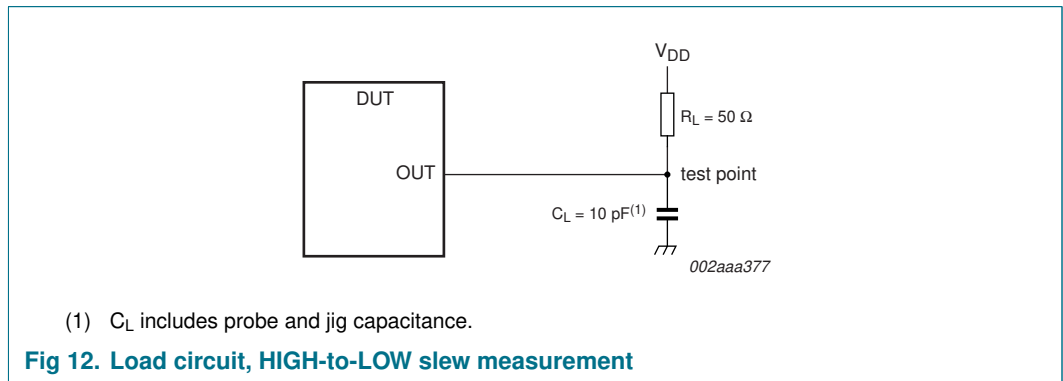




### 11.2 Output slew rate measurement

$V_{DD} = 1.8\text{ V} \pm 0.1\text{ V}$ .

All input pulses are supplied by generators having the following characteristics:  
 $PRR \leq 10\text{ MHz}$ ;  $Z_0 = 50\ \Omega$ ; input slew rate =  $1\text{ V/ns} \pm 20\%$ , unless otherwise specified.



## 12. Package outline

LFBGA96: plastic low profile fine-pitch ball grid array package; 96 balls; body 13.5 x 5.5 x 1.05 mm SOT536-1

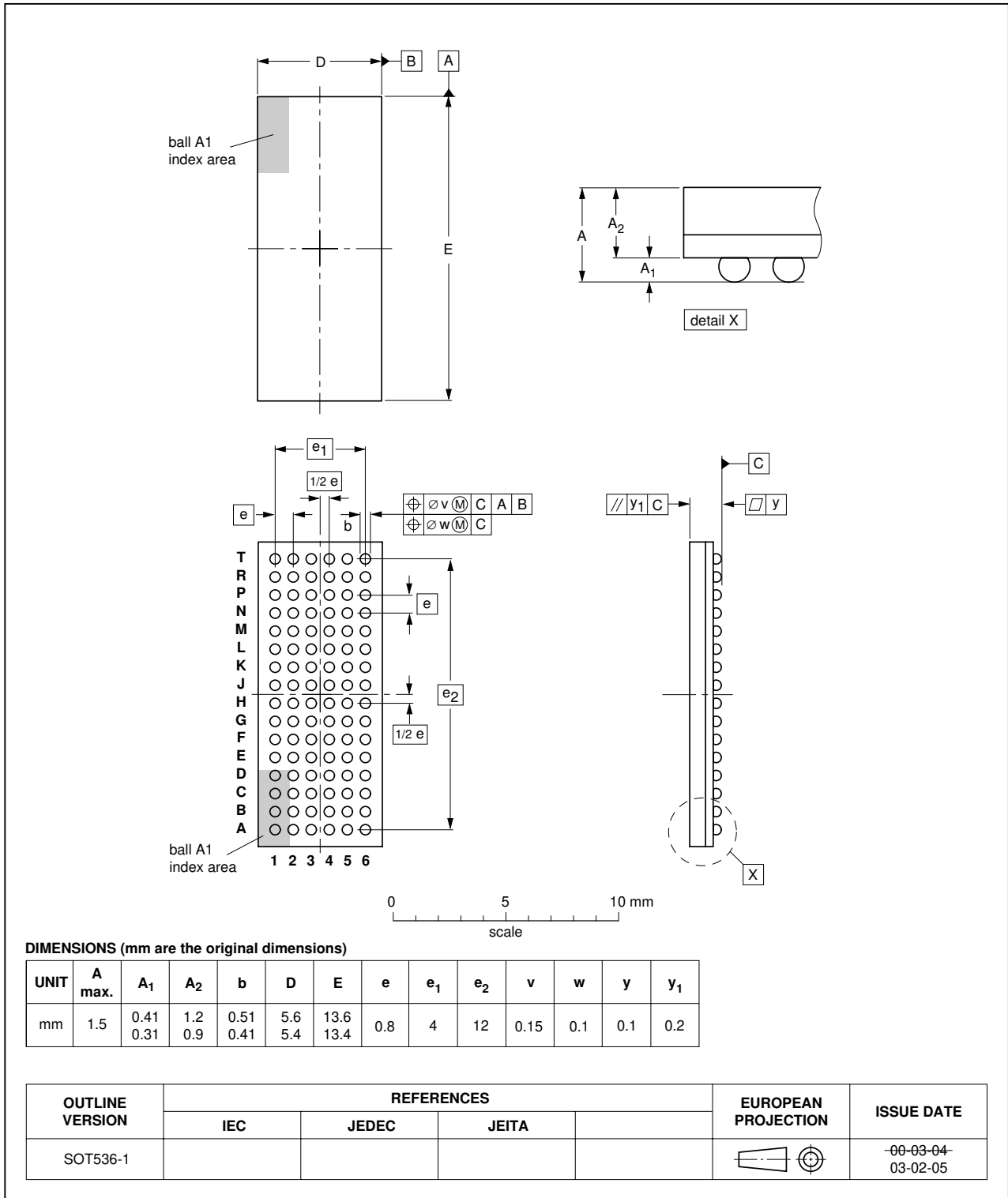


Fig 16. Package outline SOT536-1 (LFBGA96)

## 13. Soldering

This text provides a very brief insight into a complex technology. A more in-depth account of soldering ICs can be found in Application Note *AN10365 "Surface mount reflow soldering description"*.

### 13.1 Introduction to soldering

Soldering is one of the most common methods through which packages are attached to Printed Circuit Boards (PCBs), to form electrical circuits. The soldered joint provides both the mechanical and the electrical connection. There is no single soldering method that is ideal for all IC packages. Wave soldering is often preferred when through-hole and Surface Mount Devices (SMDs) are mixed on one printed wiring board; however, it is not suitable for fine pitch SMDs. Reflow soldering is ideal for the small pitches and high densities that come with increased miniaturization.

### 13.2 Wave and reflow soldering

Wave soldering is a joining technology in which the joints are made by solder coming from a standing wave of liquid solder. The wave soldering process is suitable for the following:

- Through-hole components
- Leaded or leadless SMDs, which are glued to the surface of the printed circuit board

Not all SMDs can be wave soldered. Packages with solder balls, and some leadless packages which have solder lands underneath the body, cannot be wave soldered. Also, leaded SMDs with leads having a pitch smaller than ~0.6 mm cannot be wave soldered, due to an increased probability of bridging.

The reflow soldering process involves applying solder paste to a board, followed by component placement and exposure to a temperature profile. Leaded packages, packages with solder balls, and leadless packages are all reflow solderable.

Key characteristics in both wave and reflow soldering are:

- Board specifications, including the board finish, solder masks and vias
- Package footprints, including solder thieves and orientation
- The moisture sensitivity level of the packages
- Package placement
- Inspection and repair
- Lead-free soldering versus PbSn soldering

### 13.3 Wave soldering

Key characteristics in wave soldering are:

- Process issues, such as application of adhesive and flux, clinching of leads, board transport, the solder wave parameters, and the time during which components are exposed to the wave
- Solder bath specifications, including temperature and impurities



### 13.4 Reflow soldering

Key characteristics in reflow soldering are:

- Lead-free versus SnPb soldering; note that a lead-free reflow process usually leads to higher minimum peak temperatures (see [Figure 17](#)) than a PbSn process, thus reducing the process window
- Solder paste printing issues including smearing, release, and adjusting the process window for a mix of large and small components on one board
- Reflow temperature profile; this profile includes preheat, reflow (in which the board is heated to the peak temperature) and cooling down. It is imperative that the peak temperature is high enough for the solder to make reliable solder joints (a solder paste characteristic). In addition, the peak temperature must be low enough that the packages and/or boards are not damaged. The peak temperature of the package depends on package thickness and volume and is classified in accordance with [Table 10](#) and [11](#)

**Table 10. SnPb eutectic process (from J-STD-020C)**

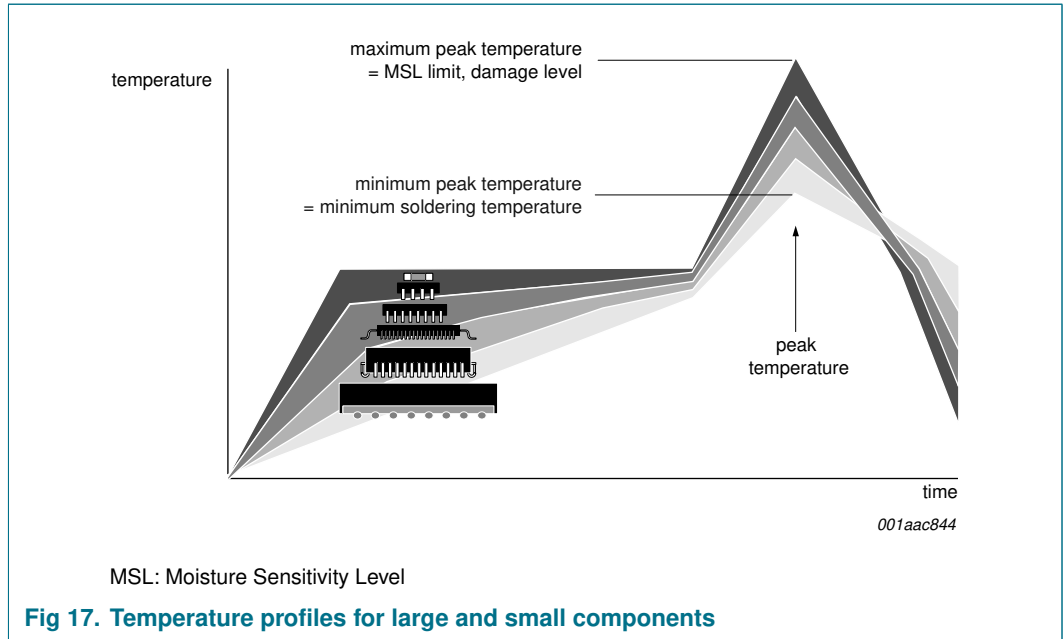
Package thickness (mm)	Package reflow temperature (°C)	
	Volume (mm <sup>3</sup> )	
	< 350	≥ 350
< 2.5	235	220
≥ 2.5	220	220

**Table 11. Lead-free process (from J-STD-020C)**

Package thickness (mm)	Package reflow temperature (°C)		
	Volume (mm <sup>3</sup> )		
	< 350	350 to 2000	> 2000
< 1.6	260	260	260
1.6 to 2.5	260	250	245
> 2.5	250	245	245

Moisture sensitivity precautions, as indicated on the packing, must be respected at all times.

Studies have shown that small packages reach higher temperatures during reflow soldering, see [Figure 17](#).



For further information on temperature profiles, refer to Application Note AN10365 “Surface mount reflow soldering description”.

## 14. Abbreviations

**Table 12. Abbreviations**

Acronym	Description
CMOS	Complementary Metal Oxide Semiconductor
DDR	Double Data Rate
DIMM	Dual In-line Memory Module
LVC MOS	Low Voltage Complementary Metal Oxide Semiconductor
PRR	Pulse Repetition Rate
RDIMM	Registered Dual In-line Memory Module
SSTL	Stub Series Terminated Logic

## 15. Revision history

Table 13. Revision history

Document ID	Release date	Data sheet status	Change notice	Supersedes
SSTUA32864_2	20070309	Product data sheet		SSTUA32864_1
Modifications:	<ul style="list-style-type: none"> <li>• The format of this data sheet has been redesigned to comply with the new identity guidelines of NXP Semiconductors.</li> <li>• Legal texts have been adapted to the new company name where appropriate.</li> <li>• <a href="#">Table 4 “Limiting values”</a>:                             <ul style="list-style-type: none"> <li>– changed Parameter for <math>V_I</math> to “input voltage”; moved “receiver” to Conditions</li> <li>– changed Parameter for <math>V_O</math> to “output voltage”; moved “driver” to Conditions</li> <li>– changed Parameter for <math>I_O</math> to “output current”; moved “continuous” to Conditions</li> <li>– added <math>V_{esd}</math> specifications</li> </ul> </li> <li>• <a href="#">Table 5 “Operating conditions”</a>:                             <ul style="list-style-type: none"> <li>– changed symbol “<math>V_{TT}</math>” to “<math>V_T</math>”</li> </ul> </li> <li>• <a href="#">Table 6 “Characteristics”</a>:                             <ul style="list-style-type: none"> <li>– Symbol <math>I_{DD}</math>: changed Parameter to “supply current”; moved “static standby” and “static operating” to Conditions</li> <li>– <math>I_{DD}</math>, supply current, static standby: changed Max value from “100 <math>\mu</math>A” to “2 mA”</li> <li>– Symbol <math>I_{DDD}</math>: changed Parameter to “dynamic operating current per MHz”; moved “clock only”, “per each data input, 1 : 1 mode”, and “per each data input, 1 : 2 mode” to Conditions</li> <li>– Symbol <math>C_i</math>: changed Parameter to “input capacitance”; moved “data inputs, <math>\overline{CSR}</math>”, “CK and <math>\overline{CK}</math>”, and “RESET” to Conditions</li> </ul> </li> <li>• <a href="#">Table 7 “Timing requirements”</a>, Symbol <math>t_W</math>: changed Parameter to “pulse width”; moved “CK, <math>\overline{CK}</math> HIGH or LOW” to Conditions</li> <li>• <a href="#">Table 8 “Switching characteristics”</a>:                             <ul style="list-style-type: none"> <li>– changed Symbol “<math>f_{MAX}</math>” to “<math>f_{max}</math>”</li> <li>– changed Parameter for <math>t_{PDM}</math> to “peak propagation delay”</li> <li>– changed Parameter for <math>t_{PDMSS}</math> to “simultaneous switching peak propagation delay”</li> <li>– changed Parameter for <math>t_{PHL}</math> to “HIGH-to-LOW propagation delay”</li> </ul> </li> </ul>			
SSTUA32864_1 (9397 750 14757)	20050512	Product data sheet	-	-

## 16. Legal information

### 16.1 Data sheet status

Document status <sup>[1][2]</sup>	Product status <sup>[3]</sup>	Definition
Objective [short] data sheet	Development	This document contains data from the objective specification for product development.
Preliminary [short] data sheet	Qualification	This document contains data from the preliminary specification.
Product [short] data sheet	Production	This document contains the product specification.

[1] Please consult the most recently issued document before initiating or completing a design.

[2] The term 'short data sheet' is explained in section "Definitions".

[3] The product status of device(s) described in this document may have changed since this document was published and may differ in case of multiple devices. The latest product status information is available on the Internet at URL <http://www.nxp.com>.

### 16.2 Definitions

**Draft** — The document is a draft version only. The content is still under internal review and subject to formal approval, which may result in modifications or additions. NXP Semiconductors does not give any representations or warranties as to the accuracy or completeness of information included herein and shall have no liability for the consequences of use of such information.

**Short data sheet** — A short data sheet is an extract from a full data sheet with the same product type number(s) and title. A short data sheet is intended for quick reference only and should not be relied upon to contain detailed and full information. For detailed and full information see the relevant full data sheet, which is available on request via the local NXP Semiconductors sales office. In case of any inconsistency or conflict with the short data sheet, the full data sheet shall prevail.

### 16.3 Disclaimers

**General** — Information in this document is believed to be accurate and reliable. However, NXP Semiconductors does not give any representations or warranties, expressed or implied, as to the accuracy or completeness of such information and shall have no liability for the consequences of use of such information.

**Right to make changes** — NXP Semiconductors reserves the right to make changes to information published in this document, including without limitation specifications and product descriptions, at any time and without notice. This document supersedes and replaces all information supplied prior to the publication hereof.

**Suitability for use** — NXP Semiconductors products are not designed, authorized or warranted to be suitable for use in medical, military, aircraft, space or life support equipment, nor in applications where failure or

malfunction of a NXP Semiconductors product can reasonably be expected to result in personal injury, death or severe property or environmental damage. NXP Semiconductors accepts no liability for inclusion and/or use of NXP Semiconductors products in such equipment or applications and therefore such inclusion and/or use is at the customer's own risk.

**Applications** — Applications that are described herein for any of these products are for illustrative purposes only. NXP Semiconductors makes no representation or warranty that such applications will be suitable for the specified use without further testing or modification.

**Limiting values** — Stress above one or more limiting values (as defined in the Absolute Maximum Ratings System of IEC 60134) may cause permanent damage to the device. Limiting values are stress ratings only and operation of the device at these or any other conditions above those given in the Characteristics sections of this document is not implied. Exposure to limiting values for extended periods may affect device reliability.

**Terms and conditions of sale** — NXP Semiconductors products are sold subject to the general terms and conditions of commercial sale, as published at <http://www.nxp.com/profile/terms>, including those pertaining to warranty, intellectual property rights infringement and limitation of liability, unless explicitly otherwise agreed to in writing by NXP Semiconductors. In case of any inconsistency or conflict between information in this document and such terms and conditions, the latter will prevail.

**No offer to sell or license** — Nothing in this document may be interpreted or construed as an offer to sell products that is open for acceptance or the grant, conveyance or implication of any license under any copyrights, patents or other industrial or intellectual property rights.

### 16.4 Trademarks

Notice: All referenced brands, product names, service names and trademarks are the property of their respective owners.

## 17. Contact information

For additional information, please visit: <http://www.nxp.com>

For sales office addresses, send an email to: [salesaddresses@nxp.com](mailto:salesaddresses@nxp.com)

## 18. Contents

<b>1</b>	<b>General description</b> .....	<b>1</b>
<b>2</b>	<b>Features</b> .....	<b>2</b>
<b>3</b>	<b>Applications</b> .....	<b>2</b>
<b>4</b>	<b>Ordering information</b> .....	<b>2</b>
<b>5</b>	<b>Functional diagram</b> .....	<b>3</b>
<b>6</b>	<b>Pinning information</b> .....	<b>4</b>
6.1	Pinning .....	4
6.2	Pin description .....	6
<b>7</b>	<b>Functional description</b> .....	<b>7</b>
7.1	Function table .....	7
<b>8</b>	<b>Limiting values</b> .....	<b>8</b>
<b>9</b>	<b>Recommended operating conditions</b> .....	<b>8</b>
<b>10</b>	<b>Characteristics</b> .....	<b>9</b>
<b>11</b>	<b>Test information</b> .....	<b>11</b>
11.1	Test circuit .....	11
11.2	Output slew rate measurement .....	13
<b>12</b>	<b>Package outline</b> .....	<b>14</b>
<b>13</b>	<b>Soldering</b> .....	<b>15</b>
13.1	Introduction to soldering .....	15
13.2	Wave and reflow soldering .....	15
13.3	Wave soldering .....	15
13.4	Reflow soldering .....	16
<b>14</b>	<b>Abbreviations</b> .....	<b>17</b>
<b>15</b>	<b>Revision history</b> .....	<b>18</b>
<b>16</b>	<b>Legal information</b> .....	<b>19</b>
16.1	Data sheet status .....	19
16.2	Definitions .....	19
16.3	Disclaimers .....	19
16.4	Trademarks .....	19
<b>17</b>	<b>Contact information</b> .....	<b>19</b>
<b>18</b>	<b>Contents</b> .....	<b>20</b>

Please be aware that important notices concerning this document and the product(s) described herein, have been included in section 'Legal information'.



© NXP B.V. 2007.

All rights reserved.

For more information, please visit: <http://www.nxp.com>

For sales office addresses, please send an email to: [salesaddresses@nxp.com](mailto:salesaddresses@nxp.com)

Date of release: 9 March 2007

Document identifier: SSTUA32864\_2