



Chipsmall Limited consists of a professional team with an average of over 10 year of expertise in the distribution of electronic components. Based in Hongkong, we have already established firm and mutual-benefit business relationships with customers from,Europe,America and south Asia,supplying obsolete and hard-to-find components to meet their specific needs.

With the principle of “Quality Parts,Customers Priority,Honest Operation,and Considerate Service”,our business mainly focus on the distribution of electronic components. Line cards we deal with include Microchip,ALPS,ROHM,Xilinx,Pulse,ON,Everlight and Freescale. Main products comprise IC,Modules,Potentiometer,IC Socket,Relay,Connector.Our parts cover such applications as commercial,industrial, and automotives areas.

We are looking forward to setting up business relationship with you and hope to provide you with the best service and solution. Let us make a better world for our industry!



## Contact us

Tel: +86-755-8981 8866 Fax: +86-755-8427 6832

Email & Skype: info@chipsmall.com Web: www.chipsmall.com

Address: A1208, Overseas Decoration Building, #122 Zhenhua RD., Futian, Shenzhen, China



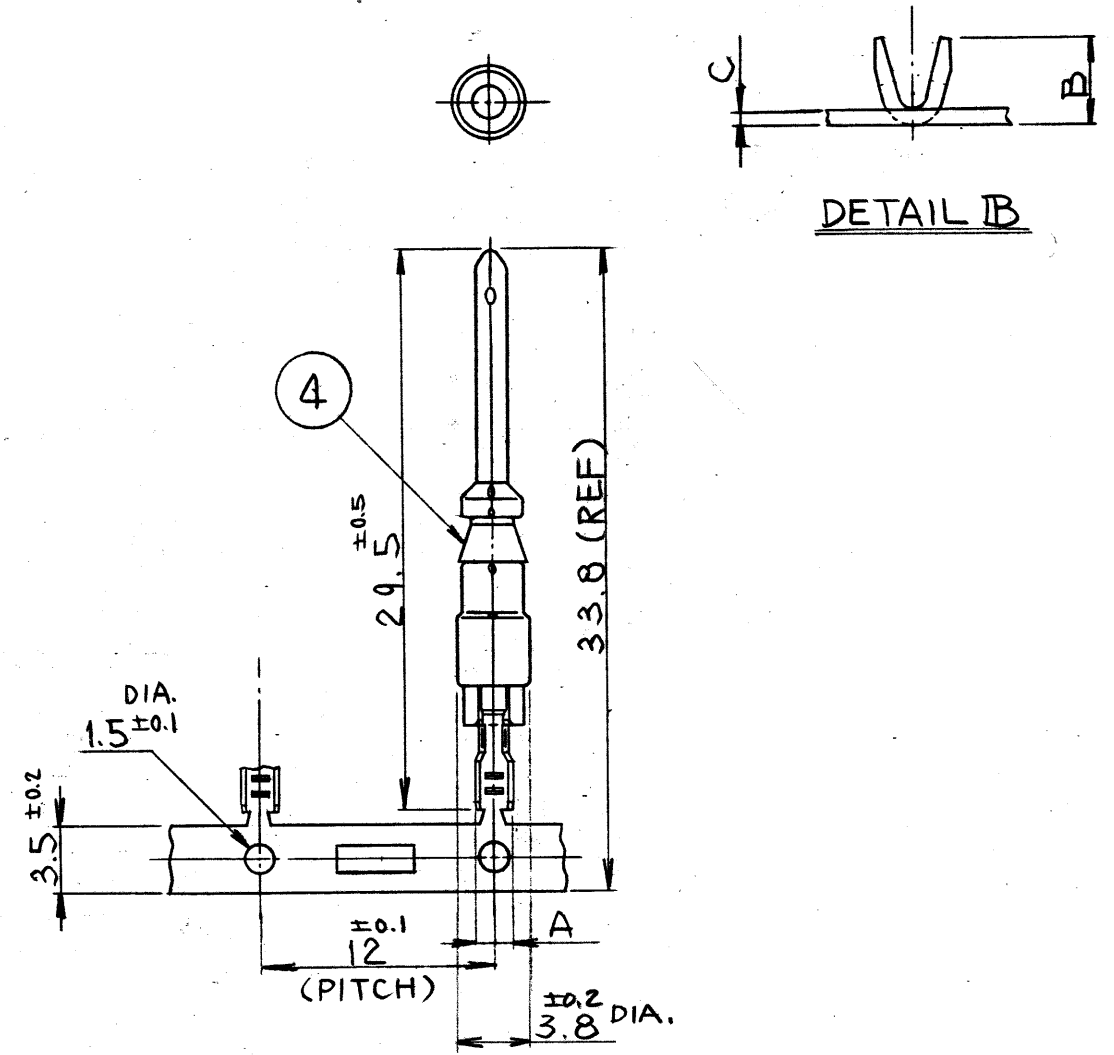
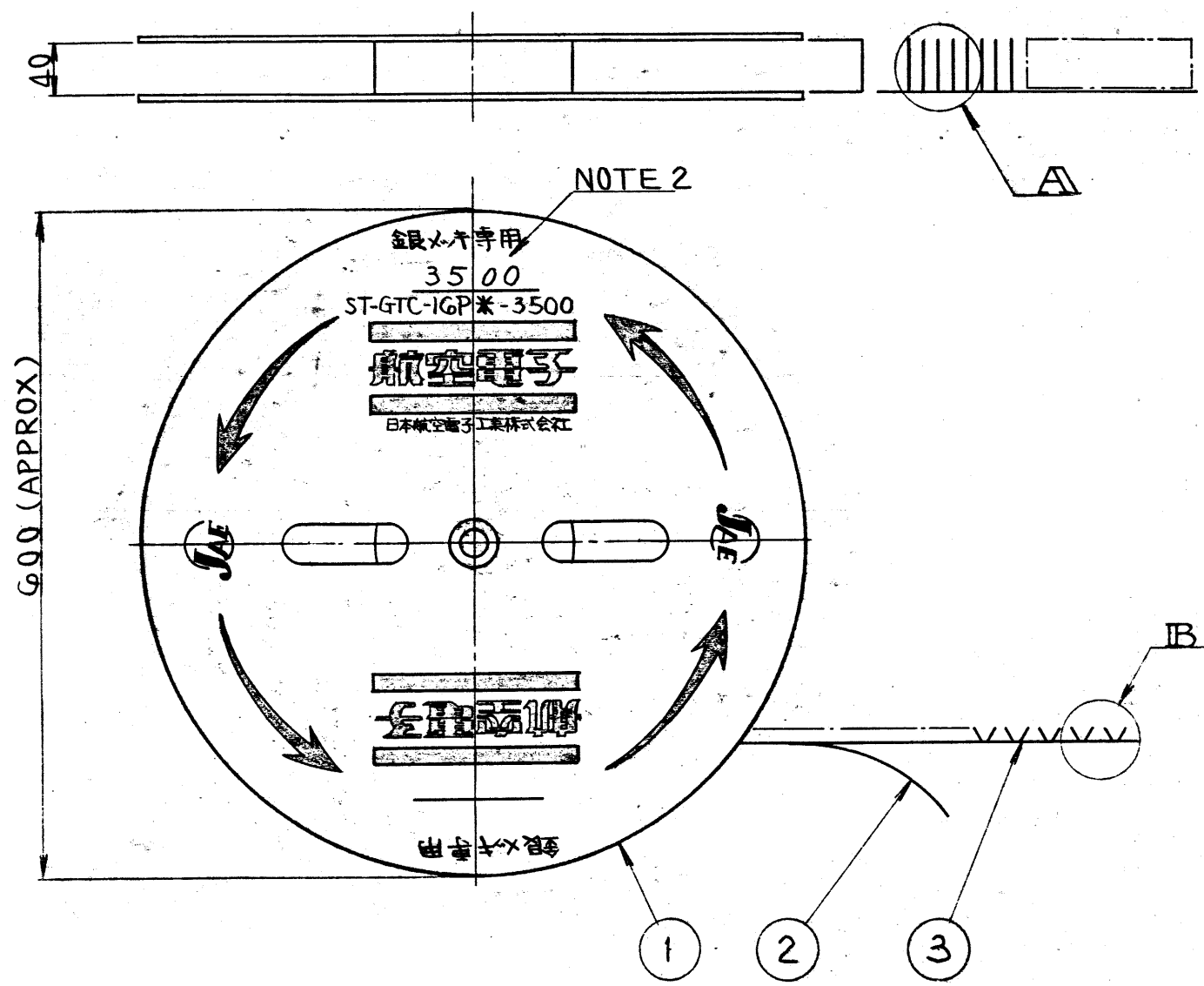


TABLE-1

PART NUMBER	(REF) A	(REF) B	C	COLOR	APPLICABLE WIRE	
					mm <sup>2</sup>	AWG NO.
ST-GTC-16P1-3500	2.2	2.3	0.3	RED	0.2~0.5	#24~#20
ST-GTC-16P2-3500	2.7	3.1	0.3	BLUE	0.5~1.25	#20~#16
ST-GTC-16P3-3500	3.2	3.76	0.4	WHITE	1.25~2	#16~#14

ITEM	DESCRIPTION	Q'TY	MATERIAL	FINISH	PART NO.
4	CLIP	3500	SYNTHETIC RESIN		
3	PIN CONTACT	3500	COPPER ALLOY	SILVER PLATE	
2	TAPE	1	PAPER		
1	MAGAZINE	1	PAPER		

NOTE  
 1. NO PLATING ON THE SHEARED CUT-END.  
 2. PART DESCRIPTION AND NUMBER OF CONTACTS OF A REEL ARE MARKED ON THE MAGAZINE AS SHOWN.

UNLESS OTHERWISE SPECIFIED			DATE	<b>JAE-CONNECTOR.COM</b> Reference Only ST-GTC-16P* - 3500 (MAGAZINE ASSEMBLY)		JAPAN AVIATION ELECTRONICS			
DIMENSIONS ARE IN MILLIMETERS			3. APR '87			IND. CO. LTD.		FACTORY	
TOLERANCES ON:			DRAWN			NAKAGAMI-CHO, AKISHIMA-SHI TOKYO, JAPAN		DWG. NO. <b>SJ01728G-E</b>	
FRACTIONS	DECIMALS	ANGLES	KOMATSU						
			CHECKED						
			M. Yamane						
TREATMENT OR FINISH			APP'D	SCALE _____ DWG. SIZE B WT. SHEET _____		T. Yama.			
			APP'D					H. Kawamura	