



Chipsmall Limited consists of a professional team with an average of over 10 year of expertise in the distribution of electronic components. Based in Hongkong, we have already established firm and mutual-benefit business relationships with customers from,Europe,America and south Asia,supplying obsolete and hard-to-find components to meet their specific needs.

With the principle of “Quality Parts,Customers Priority,Honest Operation,and Considerate Service”,our business mainly focus on the distribution of electronic components. Line cards we deal with include Microchip,ALPS,ROHM,Xilinx,Pulse,ON,Everlight and Freescale. Main products comprise IC,Modules,Potentiometer,IC Socket,Relay,Connector.Our parts cover such applications as commercial,industrial, and automotives areas.

We are looking forward to setting up business relationship with you and hope to provide you with the best service and solution. Let us make a better world for our industry!



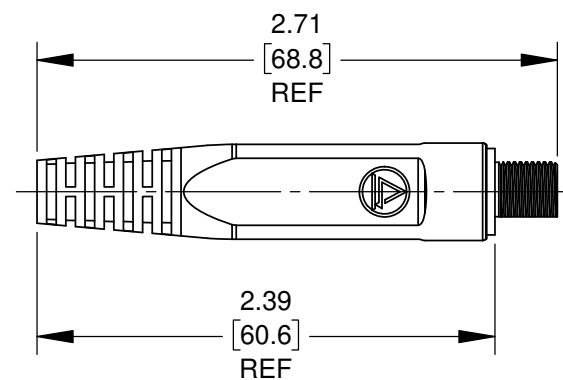
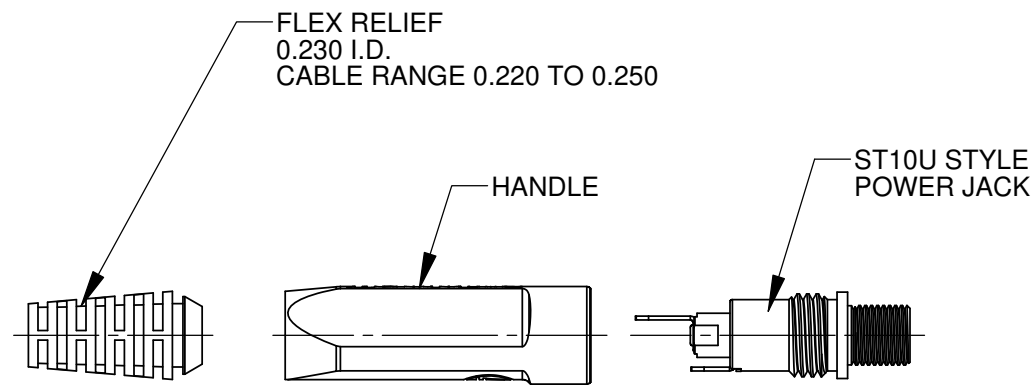
Contact us

Tel: +86-755-8981 8866 Fax: +86-755-8427 6832

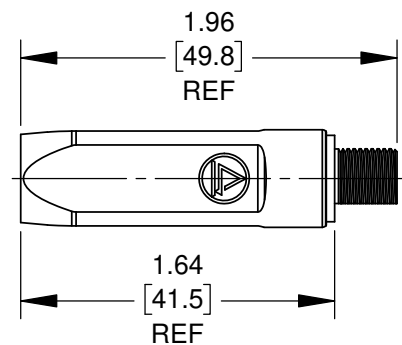
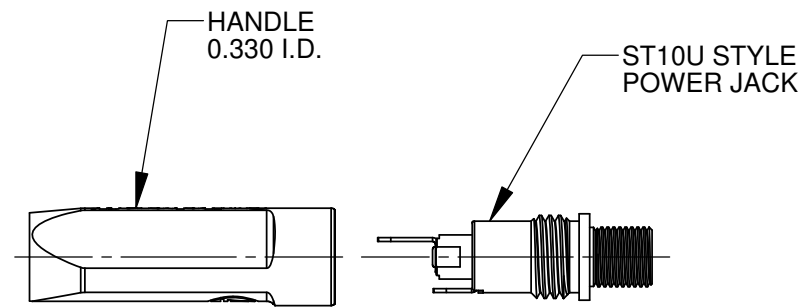
Email & Skype: info@chipsmall.com Web: www.chipsmall.com

Address: A1208, Overseas Decoration Building, #122 Zhenhua RD., Futian, Shenzhen, China

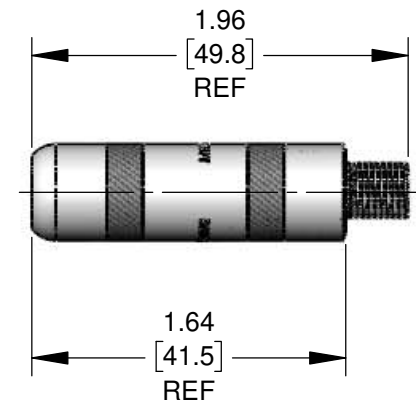
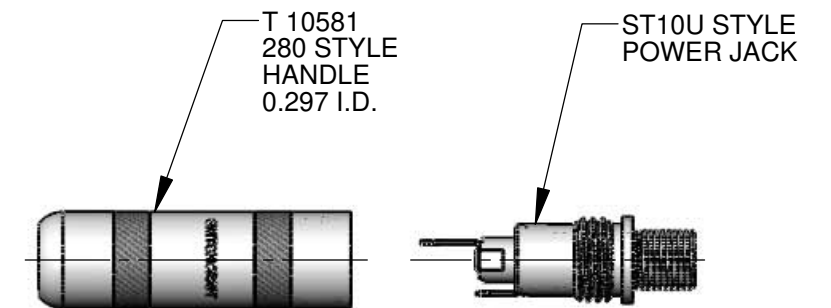




ST10UCFL



ST10UC



ST10UC1

CUSTOMER DRAWING

1. PARTS ARE SHIPPED UNASSEMBLED
2. THESE ASSEMBLIES ARE ROHS COMPLIANT
3. SEE SHEET 2 FOR SPECIFICATIONS

REV	ECO NUMBER	DATE	BY	APVD
A	ECO 27926	8-17-17	SRC	TJK
REVISIONS				

UNLESS OTHERWISE SPECIFIED

1. ALL DIMENSIONS IN INCHES [mm]

- TWO PLACE DECIMALS ±0.02 [0.5]

- THREE PLACE DECIMALS ±0.005 [0.13]

DO NOT SCALE DRAWING

THIS DRAWING DESCRIBES A DESIGN CONSIDERED PROPRIETARY IN NATURE, DEVELOPED AND MANUFACTURED BY SWITCHCRAFT INC. AND IS RELEASED ON A CONFIDENTIAL BASIS FOR IDENTIFICATION PURPOSES ONLY.									
SIZE *	WIDTH *	MULT *	LBS/M *	TEMPER *					
FINISH *					MATERIAL *				
SPEC No. *					SPEC No. *				
FIRST USED ON *			SCALE 1:1						
DATE DRAWN	BY	CHKD	APVD						
12-21-16	SRC	SRC	TJK						
			12-21-16	8-17-17					
NAME					PART No.		REV		
CABLE POWER JACK					ST10UC SERIES		A		

Mechanical Specifications

Life: Mechanical only
 Vibration: 5000 cycles minimum using S10 style plugs
 Operating Forces: Mil-Std 202G Method 201A (jack or when mated with locking plug)
 3 lb maximum insertion. 0.2 lb minimum withdrawal when using S10 type plug

Electrical Specifications

Voltage Rating: 24 V AC/DC
 Current Rating: Refer to current rating table below
 Insulation Resistance: 1000MΩ min. initial
 Contact Resistance (initial): 10 mΩ max

Environmental Specifications

Operating Temperature Rating: -40 °C to +105 °C (-40°F to +221°F)
 Insulation Resistance: MIL-STD 202G Method 302 Condition B Only
 Thermal Shock: MIL-STD 202G Method 107G (jack or when mated with sealed locking plug)


Material Specifications

Handle, Housing, Flex relief: Copper alloy, nickel plated
 Insulator: Thermoplastic elastomer
 Center Pin: Thermoplastic, black
 Center & Shunt Terminals: Copper Alloy, Gold over Silver Plated
 Sleeve Spring Contact: Copper Alloy, Matte Tin Plated
 Copper Alloy, Gold over Silver Plated

CURRENT CARRY WHEN MATED TO A S10 STYLE PLUG

Wire (awg)	Current Rating (Amps) at Operating Temperature (° C)			
	90° C max	95° C max	100° C max	105° C max
16	13	12	11	10
18	12	11	10	9
20	11	10	9	8

Note: AC/DC Power Plugs & Jacks are for current carry only. Do not connect or disconnect under load. The circuitry on-off switch should be off before connecting or disconnecting the Power Plug to Jack.

SCALE 1:1		
DATE DRAWN 12-21-16		
DRAWN BY SRC	PART No. ST10UC SERIES_CD	REV A