



Chipsmall Limited consists of a professional team with an average of over 10 year of expertise in the distribution of electronic components. Based in Hongkong, we have already established firm and mutual-benefit business relationships with customers from,Europe,America and south Asia,supplying obsolete and hard-to-find components to meet their specific needs.

With the principle of “Quality Parts,Customers Priority,Honest Operation,and Considerate Service”,our business mainly focus on the distribution of electronic components. Line cards we deal with include Microchip,ALPS,ROHM,Xilinx,Pulse,ON,Everlight and Freescale. Main products comprise IC,Modules,Potentiometer,IC Socket,Relay,Connector.Our parts cover such applications as commercial,industrial, and automotives areas.

We are looking forward to setting up business relationship with you and hope to provide you with the best service and solution. Let us make a better world for our industry!



Contact us

Tel: +86-755-8981 8866 Fax: +86-755-8427 6832

Email & Skype: info@chipsmall.com Web: www.chipsmall.com

Address: A1208, Overseas Decoration Building, #122 Zhenhua RD., Futian, Shenzhen, China

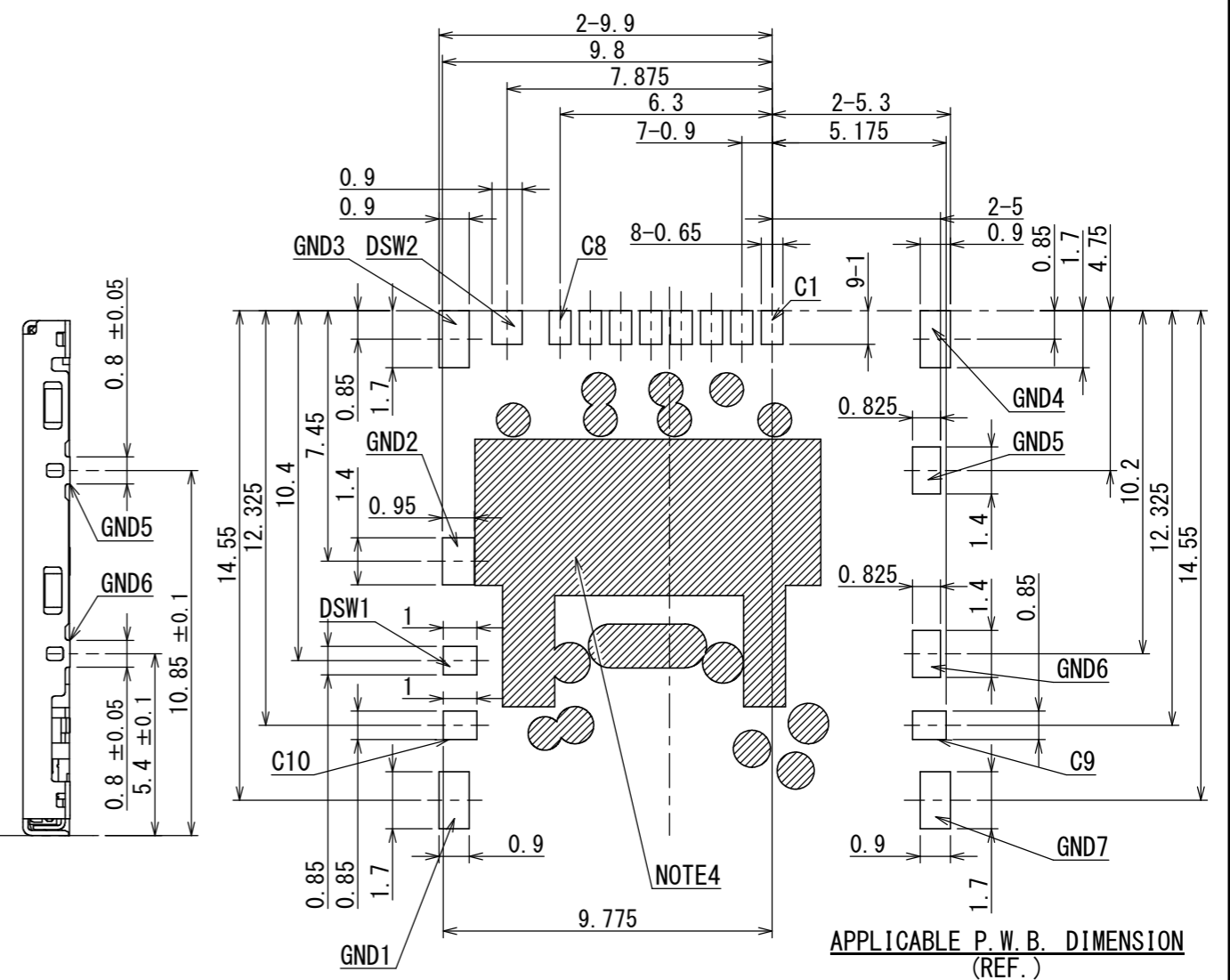
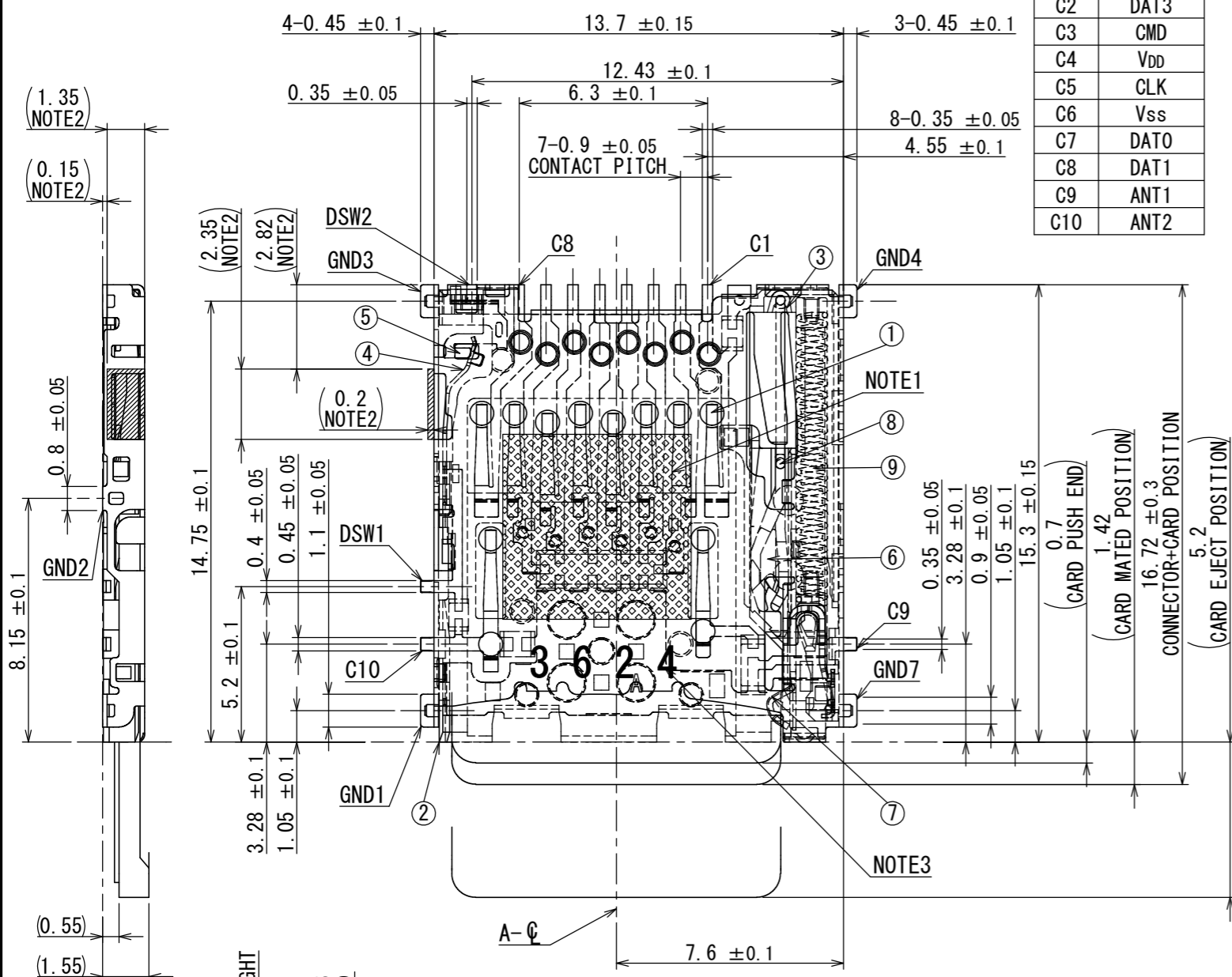


図面番号 (DRAWING NO.) SJ114012

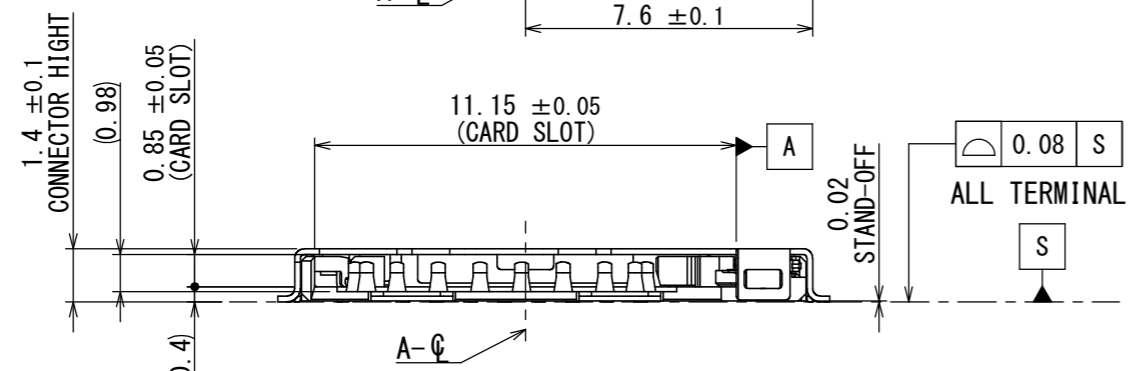
TABLE. 1
PIN ASSIGNMENT

C1	DAT2
C2	DAT3
C3	CMD
C4	VDD
C5	CLK
C6	VSS
C7	DAT0
C8	DAT1
C9	ANT1
C10	ANT2

版数 VER.	年月日 DATE	CN NO.	変更内容 DESCRIPTION	製図 DR.	担当 CHK.	査閲 APPD.	承認 APPD.
---------	----------	--------	------------------	--------	---------	----------	----------



APPLICABLE P.W.B. DIMENSION (REF.)

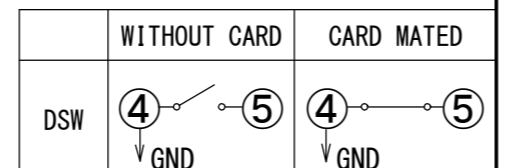


符号 NO.	名称 DESCRIPTION	個数 QTY.	材料 MATERIAL	仕上 FINISH	備考 REMARKS
9	SPRING	1	STAINLESS STEEL	-	
8	CAM FOLLOWER	1	STAINLESS STEEL	-	
7	LOCK	1	STAINLESS STEEL	-	
6	EJECT LEVER	1	LCP	-	COLOR : BLACK
5	DETECTION SW2	1	COPPER ALLOY	CONTACT AREA: Au OVER Ni TERMINAL: Au OVER Ni	
4	DETECTION SW1	1	COPPER ALLOY	CONTACT AREA: Au OVER Ni TERMINAL: Au OVER Ni	
3	COVER FRAME	1	STAINLESS	TERMINAL: Au OVER Ni	
2	HOUSING	1	LCP	-	COLOR : BLACK
1	CONTACT	1	COPPER ALLOY	CONTACT AREA: Au OVER Ni TERMINAL: Au OVER Ni	

NOTE1. VACUUM AREA.
NOTE2. NO COMPONENT AND AREA. (SPACE FOR MAX. STROKED SWITCH)
NOTE3. LOT No. YMDD 3624→24 Jun. 2013
NOTE4. NO PATTERN AREA.

注1. 吸着エリア
注2. 図示の範囲は、スイッチが最大変位したときのスペースにつき、筐体・部品等を配置しないでください。
注3. ロットナンバー 英数字1桁 3624→2013年6月24日
年(西暦下1桁) 月(1~9、10月:0 11月:X 12月:Y 1桁) 日(生産日 2桁)
注4. パターン禁止エリア

TABLE. 2
CIRCUIT



仕様書 (SPECIFICATION) JACS-10993-** J AHL-10993-**	第1版 (ORIGINAL DATE) 05/SEP/2013	尺度 (SCALE) 5 : 1	シリーズ (SERIES) ST12	日本航空電子工業株式会社
製図 DR.	担当 CHK. K. KUME	名称 (TITLE) ST12S010VBA		JAE JAPAN AVIATION ELECTRONICS INDUSTRY, LTD.
査閲 APPD. A. MATSUNAGA	承認 APPD. A. NATORI	質量 (MASS)		
図面番号 (DRAWING NO.) SJ114012				版数 (VER.) 1

DCF-C-212H(12.08)

WISDOM承認 2013/09/10