



Chipsmall Limited consists of a professional team with an average of over 10 year of expertise in the distribution of electronic components. Based in Hongkong, we have already established firm and mutual-benefit business relationships with customers from,Europe,America and south Asia,supplying obsolete and hard-to-find components to meet their specific needs.

With the principle of "Quality Parts,Customers Priority,Honest Operation,and Considerate Service",our business mainly focus on the distribution of electronic components. Line cards we deal with include Microchip,ALPS,ROHM,Xilinx,Pulse,ON,Everlight and Freescale. Main products comprise IC,Modules,Potentiometer,IC Socket,Relay,Connector.Our parts cover such applications as commercial,industrial, and automotives areas.

We are looking forward to setting up business relationship with you and hope to provide you with the best service and solution. Let us make a better world for our industry!



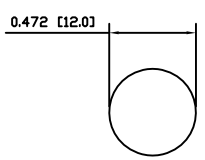
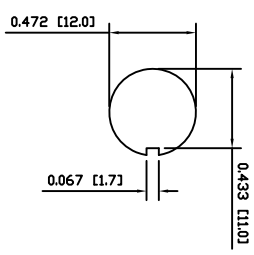
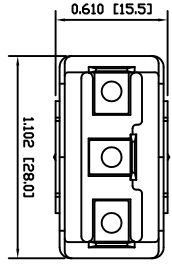
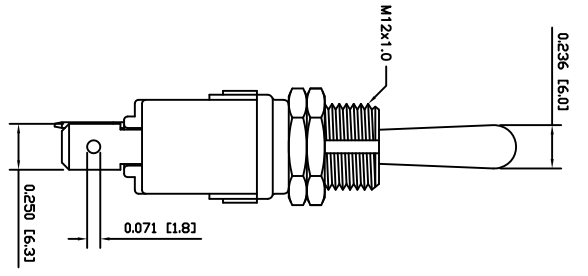
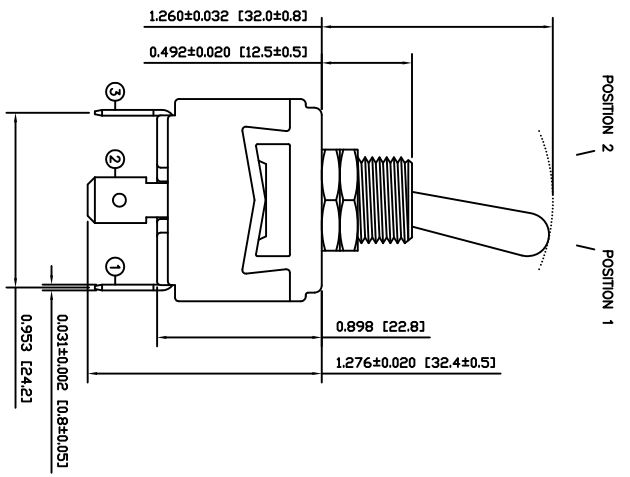
## Contact us

Tel: +86-755-8981 8866 Fax: +86-755-8427 6832

Email & Skype: info@chipsmall.com Web: www.chipsmall.com

Address: A1208, Overseas Decoration Building, #122 Zhenhua RD., Futian, Shenzhen, China



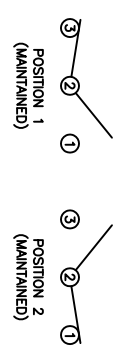


SUGGESTED PANEL CUTOUT

ALTERNATE PANEL CUTOUT

- MATERIALS**
- BODY: Phenolic, UL94 V-0
  - ACTUATOR: Nickel Plated Brass
  - BUSHING: Nickel Plated Brass
  - HOUSING: Nickel Plated Steel
  - HARDWARE: Nickel Plated Brass
  - SPACER PLATE: Epoxy Board
  - SPRING: Steel
  - ACTUATOR PLUNGER: Phenolic, UL94 V-0
  - MOBILE CONTACT BAR: Silver Plated Copper
  - CENTER PIVOT: Silver Plated Copper
  - CONTACTS: Silver Alloy Clad Copper
  - TERMINALS: Brass

- SPECIFICATIONS**
- FUNCTION: 1P1T ON-ON
  - RATINGS: ANSI/UL1054 and CAN/CSA C22.2 No.55 (E194579): 20A 125VAC [cUrus] 15A 277VAC [cUrus] 2HP 125/277VAC [cUrus]
  - CONTACT RESISTANCE: Initial: 10mΩ Max.
  - INSULATION RESISTANCE: 10MΩ Min.
  - DIELECTRIC STRENGTH: 1,500VAC for 1 Minute
  - OPERATING LIFE: 6,000 Cycles [cUrus]
  - TEMPERATURE: Operating: 0°C to 85°C [cUrus]
- APPROVALS: **RoHS COMPLIANT**



SCHEMATIC

ACTUATOR BODY	B	10/08/10	CAB
MATERIALS	B	10/08/10	CAB
SPECIFICATIONS	B	10/08/09	CAB
REFERENCE	REV.	DATE	BY

1

2

3

4

5

6

7

8

THE INFORMATION CONTAINED IN THIS DOCUMENT IS PROPRIETARY TO E-SWITCH AND IS NOT TO BE COPIED OR TRANSMITTED

CONNECTED PANEL CUTOUT, SPECIFICATIONS, AND MATERIALS	B	19133	10/08/10	CAB
INITIAL RELEASE	A		09/08/09	CAB
DESCRIPTION	REV.	PCB	DATE	DRAWN BY

DIMENSIONS	INCHES [MILLIMETERS]
GENERAL TOLERANCES	±0.008 [±0.2] / ±.1
SCALE	DRAWING NOT TO SCALE
PROJECTION	

**E-SWITCH**

**LAMB INDUSTRIES**

ST143D00

DRAWING NUMBER	34-ST143D00	DATE	JUNE 10, 2010	REVISION	B
----------------	-------------	------	---------------	----------	---