



Chipsmall Limited consists of a professional team with an average of over 10 year of expertise in the distribution of electronic components. Based in Hongkong, we have already established firm and mutual-benefit business relationships with customers from,Europe,America and south Asia,supplying obsolete and hard-to-find components to meet their specific needs.

With the principle of "Quality Parts,Customers Priority,Honest Operation,and Considerate Service",our business mainly focus on the distribution of electronic components. Line cards we deal with include Microchip,ALPS,ROHM,Xilinx,Pulse,ON,Everlight and Freescale. Main products comprise IC,Modules,Potentiometer,IC Socket,Relay,Connector.Our parts cover such applications as commercial,industrial, and automotives areas.

We are looking forward to setting up business relationship with you and hope to provide you with the best service and solution. Let us make a better world for our industry!



Contact us

Tel: +86-755-8981 8866 Fax: +86-755-8427 6832

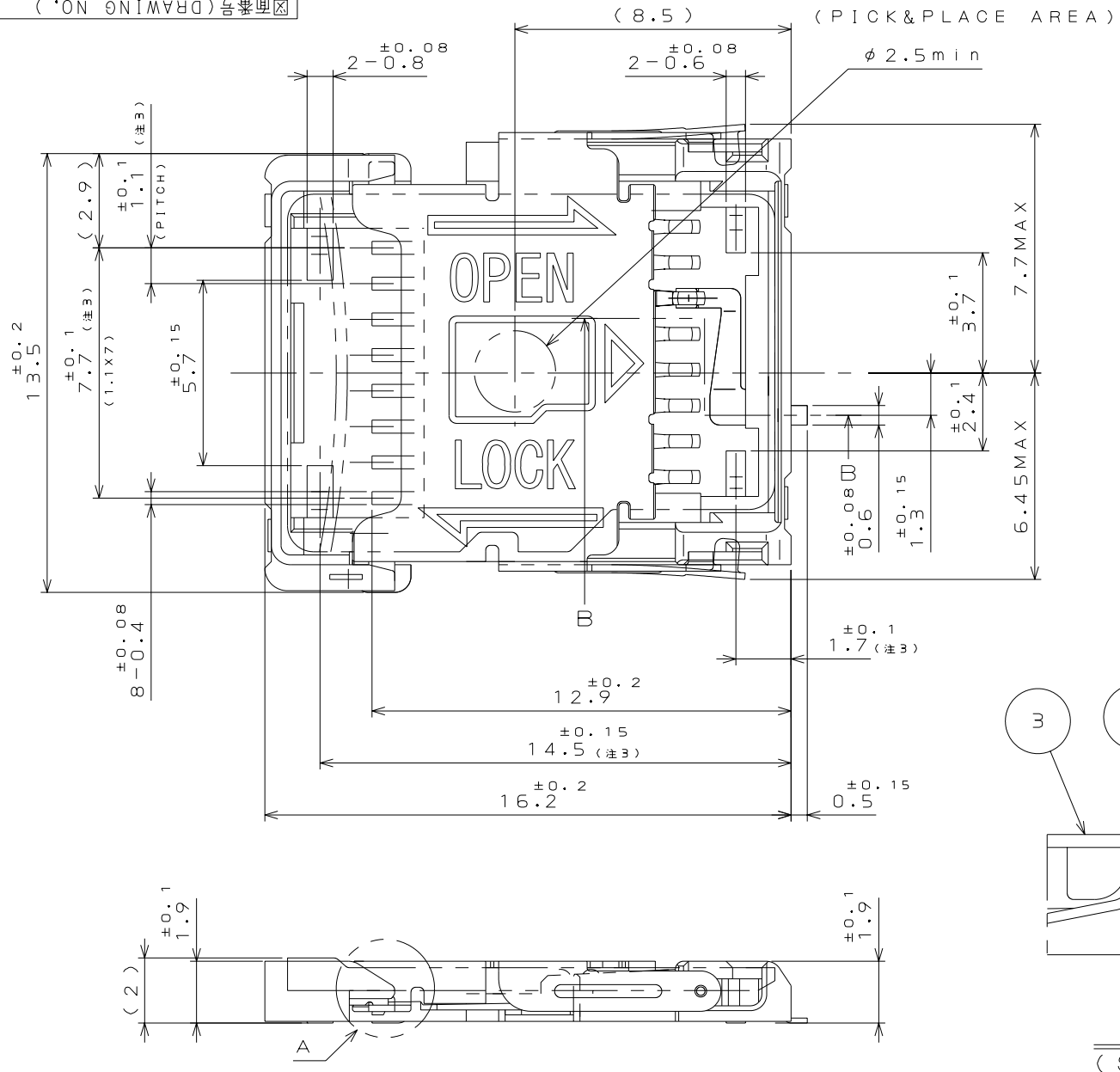
Email & Skype: info@chipsmall.com Web: www.chipsmall.com

Address: A1208, Overseas Decoration Building, #122 Zhenhua RD., Futian, Shenzhen, China

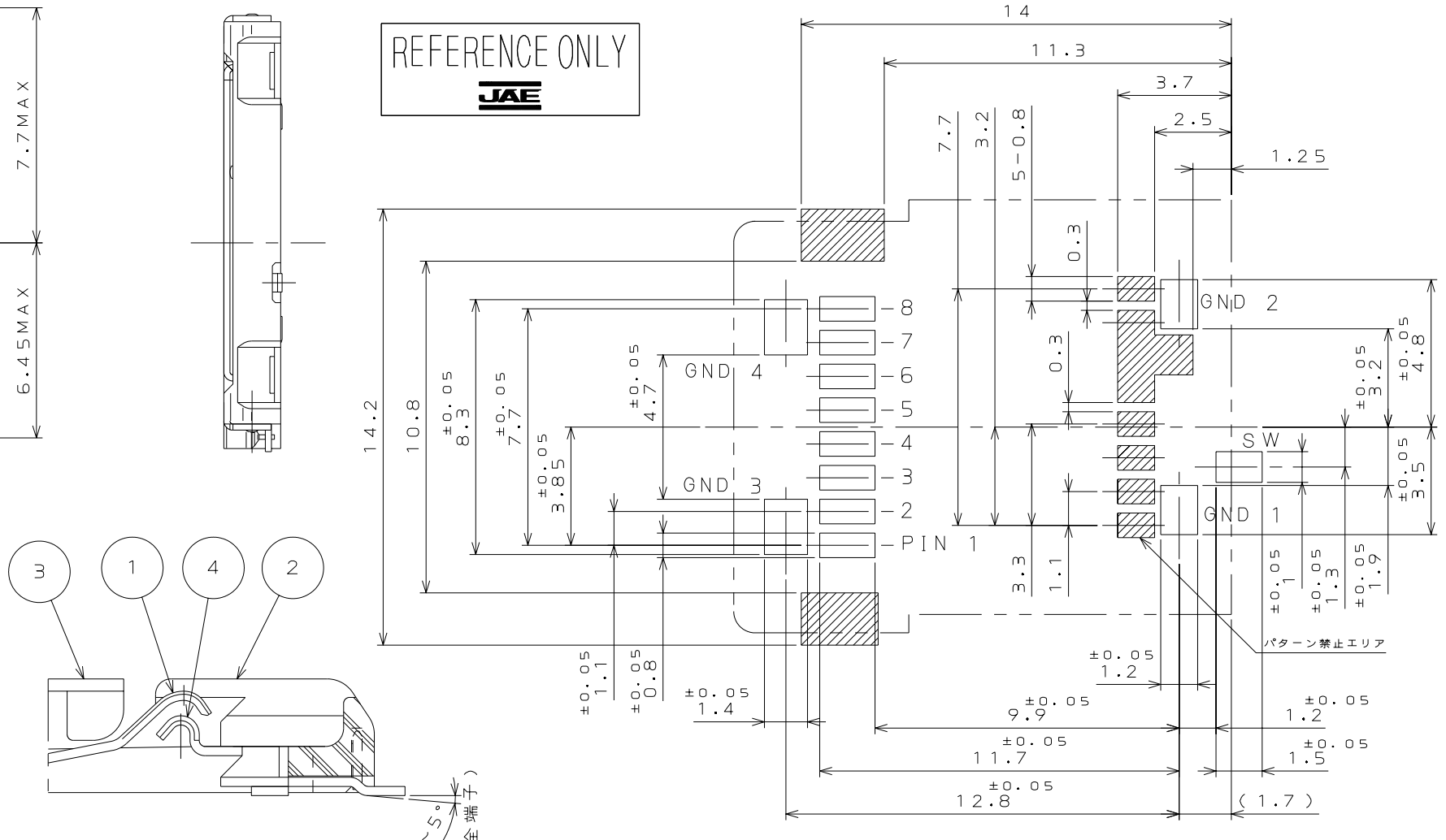


図番 (DRAWING NO.) SJ108243

版数 REV.	年月日 DATE	DCN NO.	変更内容 DESCRIPTION	製図 DR.	担当 CHK.	査閲 APPD.	承認 APPD.



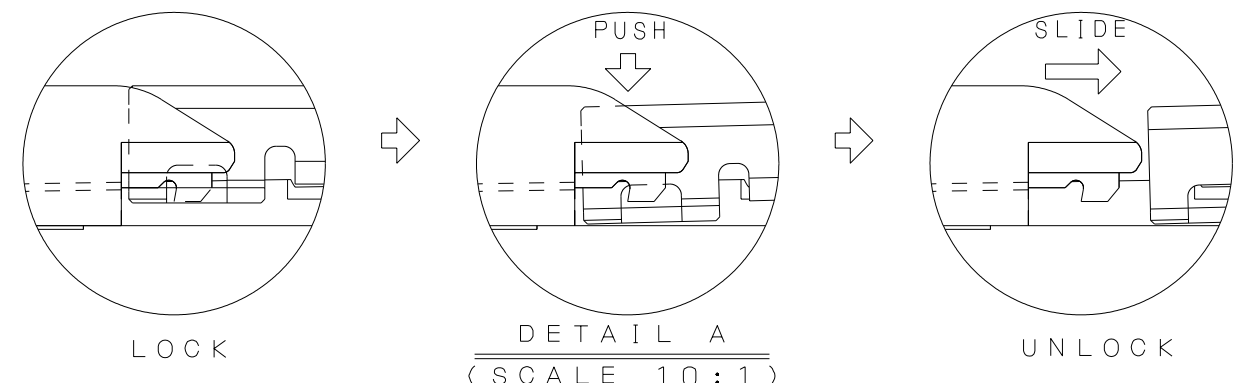
REFERENCE ONLY
JAЕ



SECT. B-B (SCALE 5:1)
(全端子)

APPLICABLE P.C.B. DIMENSION (REF.)
適合基板寸法 (参考)

注1. 端子のコプラナリティは0.1以下とする。
 注2. FPC搭載時は、実機状態での接触状態を御確認の上御使用下さい。
 注3. 端子先端の曲がり±0.05とする。



符号 NO.	名称 DESCRIPTION	個数 QTY.	材料 MATERIAL	仕上 FINISH	備考 REMARKS
4	DETECTION SWITCH	1	PHOSPHER BRONZE	AU OVER NI (TABLE1)	MORMAL OPEN
3	COVER	1	STAILESS STEEL		
2	HOUSING	1	GLASS FILLED LCP		UL94 V-0 COLOR:BLACK
1	CONTACT	8	PHOSPHER BRONZE	AU OVER NI (TABLE1)	
仕様書 (SPECIFICATION)		第1版 (ORIGINAL DATE)		尺度 (SCALE)	シリーズ (SERIES)
JACS-10321 J AHL-10321		13.Dec.2007		5:1	ST1
一般公差 (GENERAL TOLERANCE)			名称 (TITLE)		
寸法 (DIMENSION)			M.SHIMADA		
角度 (ANGLES)			J.MOTOJIMA		
. ±0.8			承認 APPD. A.NATORI		
.X ±0.4			質量 (MASS)		
.XX ±0.1			質量 (MASS)		
.XXX ±			質量 (MASS)		

TABLE 1

	CONTACT AREA (CARD SIDE)	TERMINAL AREA (P.W.B SIDE)
CONTACT [Ⓞ]	Au (0.5µm min) OVER Ni (1.5µm min)	Au (0.03~0.1µm) OVER Ni (1.5µm min)
DETECTION SWITCH [Ⓞ]	Au (0.5µm min) OVER Ni (1.5µm min)	Au (0.03~0.1µm) OVER Ni (1.5µm min)

日本航空電子工業株式会社
JAЕ
 ELECTRONICS INDUSTRY, LTD.

図面番号 (DRAWING NO.) SJ108243
 版数 (REV.) 1

DCF-C-212F(05.08)

