



Chipsmall Limited consists of a professional team with an average of over 10 year of expertise in the distribution of electronic components. Based in Hongkong, we have already established firm and mutual-benefit business relationships with customers from,Europe,America and south Asia,supplying obsolete and hard-to-find components to meet their specific needs.

With the principle of "Quality Parts,Customers Priority,Honest Operation,and Considerate Service",our business mainly focus on the distribution of electronic components. Line cards we deal with include Microchip,ALPS,ROHM,Xilinx,Pulse,ON,Everlight and Freescale. Main products comprise IC,Modules,Potentiometer,IC Socket,Relay,Connector.Our parts cover such applications as commercial,industrial, and automotives areas.

We are looking forward to setting up business relationship with you and hope to provide you with the best service and solution. Let us make a better world for our industry!



## Contact us

Tel: +86-755-8981 8866 Fax: +86-755-8427 6832

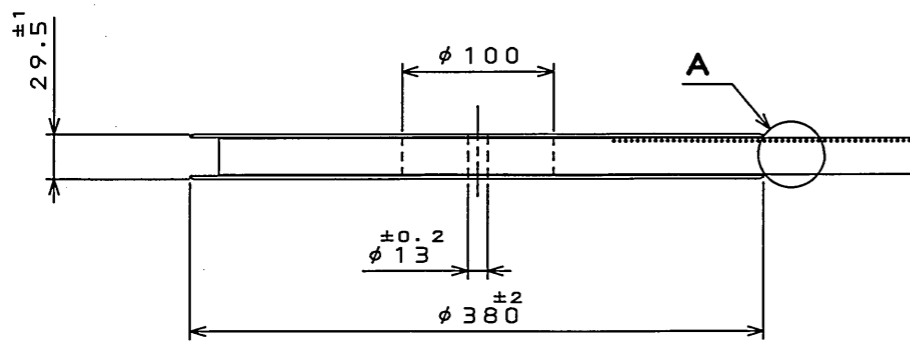
Email & Skype: info@chipsmall.com Web: www.chipsmall.com

Address: A1208, Overseas Decoration Building, #122 Zhenhua RD., Futian, Shenzhen, China

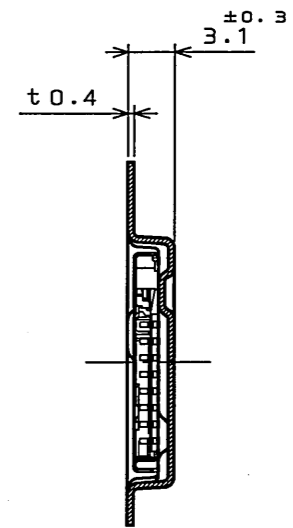
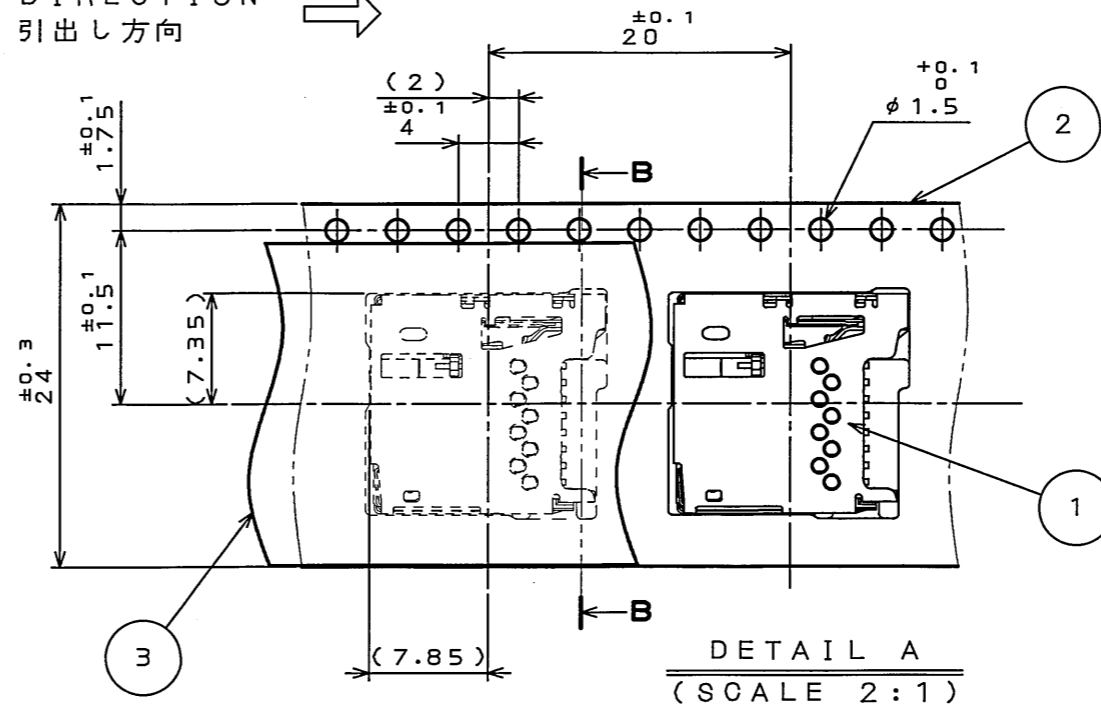


901501RS  
(DRAWING NO.)

版数 REV.	年月日 DATE	DCN NO.	変更内容 DESCRIPTION	製図 DR.	担当 CHK.	査閲 APPD.	承認 APPD.
2	14.Jun.2006	060341	CHANGED BEGINING PORTION		J.MOTOJIMA	—	A.Natori

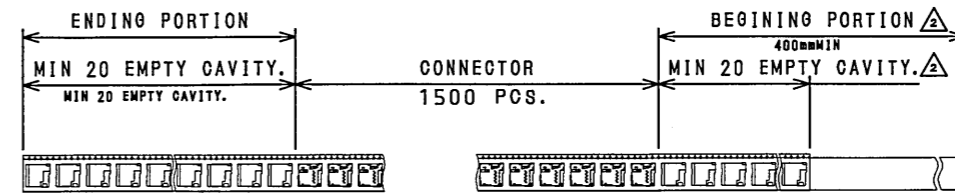
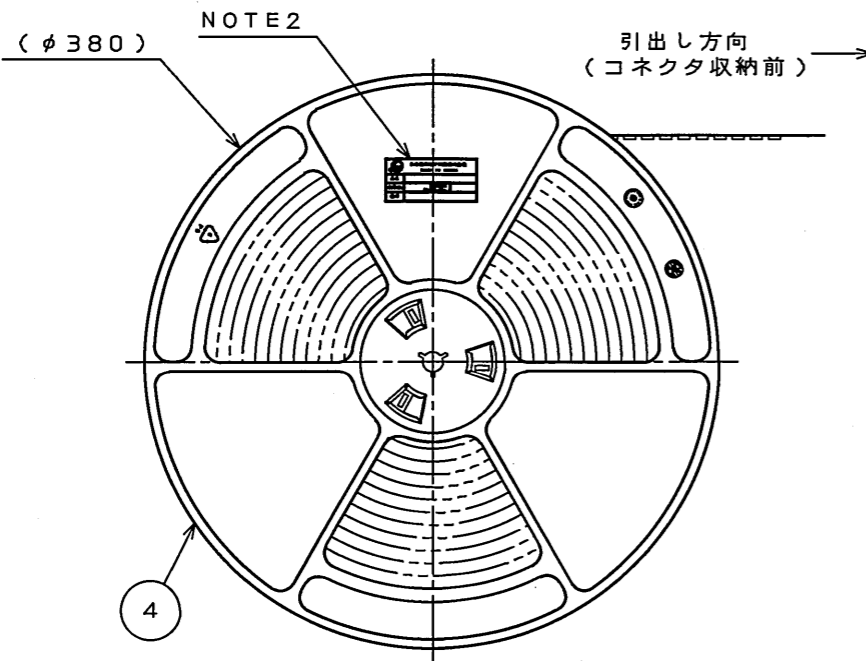


DIRECTION  
引出し方向



DETAIL A  
(SCALE 2:1)

SECT. B-B  
(SCALE 2:1)



DIRECTION  
引出し方向

NOTE 1. SUFFIX "R1500" OF THE PART NUMBER INDICATES THAT 1500 PCS. OF ST2S008V1A CONNECTORS ARE ACCOMODATED IN ONE REEL.  
2. THE LABEL IS TO BE ATTACHED ON THE MAGAZINE AS SHOWN  
3. REFER TO THE DRAWING . SJ105105 (ST2S008V1A) FOR THE DIMENSION OF THE CONNECTOR.

- 注 1. "ST2S008V1AR1500" は 収納数1500個入りのリールに収納された品名を表す。  
2. 図示の位置に 下記のシールを貼り 品名, 収納数, ロットNo. 及びテープの幅と送りピッチを記入すること。  
3. コネクタ寸法は SJ105105 (ST2S008V1A) 参照。

日本航空電子工業株式会社 MADE IN CHINA	
品名	ST2S008V1AR1500
収納数	1500 個入 製造年月日 (ロットNo.)
備考	TB2420

4	REEL	1	PLASTIC				
3	COVER TAPE	1	POLYESTER				
2	CARRIER TAPE	1	PS				
1	CONNECTOR	1500					SJ105105
符号 NO.	名称 DESCRIPTION	個数 QTY.	材料 MATERIAL	仕上 FINISH	備考 REMARKS		
仕様書 (SPECIFICATION) JACS-10311		第1版 (ORIGINAL DATE) 18.Oct.2005		尺度 (SCALE) 1:5	シリーズ (SERIES) ST2	日本航空電子工業株式会社 JAPAN AVIATION ELECTRONICS INDUSTRY, LTD.	
公差 (GENERAL TOLERANCE)		製図 DR.		名称 (TITLE) ST2S008V1AR1500		図面番号 (DRAWING NO.) SJ105106	
寸法 (DIMENSION)		担当 CHK. J.MOTOJIMA		承認 APPD.		質量 (MASS)	
角度 (ANGLES)		査閲 APPD.		承認 APPD. A.NATORI		版数 (REV.) 2	
·	±0.8	°	±				
·X	±0.4	X°	±				
·XX	±0.1						
·XXX	±						

DOF-0-212F(05.08)

