



Chipsmall Limited consists of a professional team with an average of over 10 year of expertise in the distribution of electronic components. Based in Hongkong, we have already established firm and mutual-benefit business relationships with customers from,Europe,America and south Asia,supplying obsolete and hard-to-find components to meet their specific needs.

With the principle of “Quality Parts,Customers Priority,Honest Operation,and Considerate Service”,our business mainly focus on the distribution of electronic components. Line cards we deal with include Microchip,ALPS,ROHM,Xilinx,Pulse,ON,Everlight and Freescale. Main products comprise IC,Modules,Potentiometer,IC Socket,Relay,Connector.Our parts cover such applications as commercial,industrial, and automotives areas.

We are looking forward to setting up business relationship with you and hope to provide you with the best service and solution. Let us make a better world for our industry!



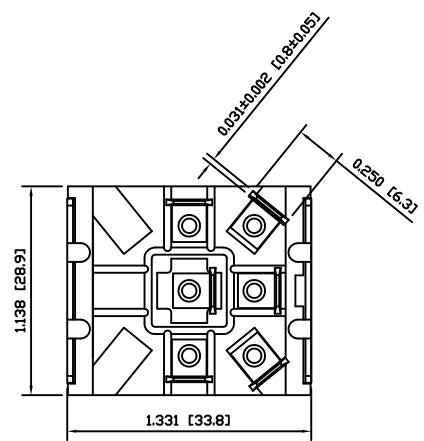
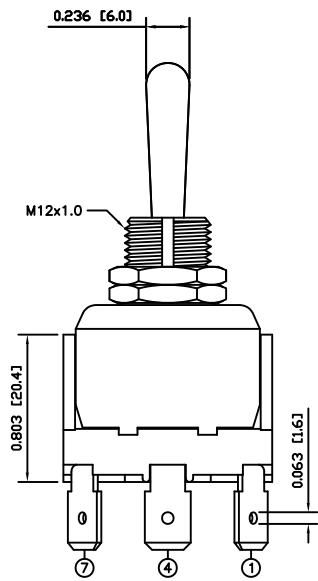
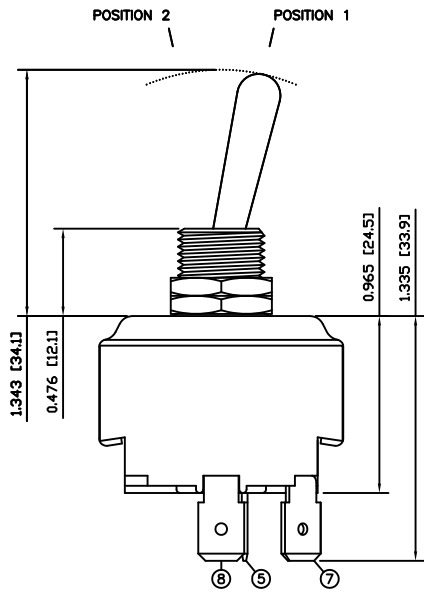
Contact us

Tel: +86-755-8981 8866 Fax: +86-755-8427 6832

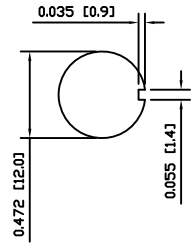
Email & Skype: info@chipsmall.com Web: www.chipsmall.com

Address: A1208, Overseas Decoration Building, #122 Zhenhua RD., Futian, Shenzhen, China

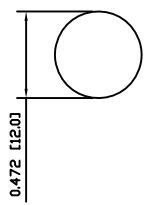




SUGGESTED PANEL CUTOUT



ALTERNATE PANEL CUTOUT



MATERIALS

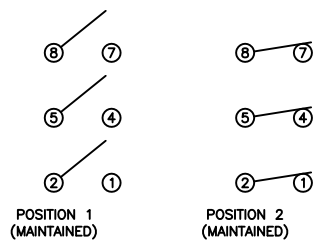
- BODY:**
Phenolic, UL94 V-0
- ACTUATOR:**
Nickel Plated Brass
- BUSHING:**
Nickel Plated Brass
- HOUSING:**
Stainless Steel
- HARDWARE:**
Nickel Plated Steel
- FUNCTION PLATE:**
Stainless Steel
- SPACER PLATE:**
Laminate Board
- SPRING:**
Steel
- PLUNGER:**
Nylon
- MOBILE CONTACT:**
Silver Plated Copper
- MOBILE CONTACT PIVOT:**
Silver Plated Copper
- CONTACTS:**
Silver Alloy Clad Copper
- TERMINALS:**
Brass

SPECIFICATIONS

- FUNCTION:**
3P1T OFF-ON
- RATINGS:**
ANSI/UL1054 and CAN/CSA C22.2 No.55 (E194579):
24A 125VAC [cURus]
15A 277VAC [cURus]
2HP 125/277VAC [cURus]
- CONTACT RESISTANCE:**
Initial: 50mΩ Max. at 50VAC
- INSULATION RESISTANCE:**
800MΩ Min. at 500VDC
- DIELECTRIC STRENGTH:**
1,500VAC for 1 Minute
- OPERATING LIFE:**
6,000 Cycles [cURus]
- TEMPERATURE:**
Operating: -20°C to 85°C [cURus]
- APPROVALS:**



SCHEMATIC



ACTUATOR	A	09/06/06	CAB
BODY	A	09/06/06	CAB
MATERIALS	A	09/06/06	CAB
SPECIFICATIONS	A	09/06/06	CAB
REFERENCE	REV.	DATE	BY

THE INFORMATION CONTAINED IN THIS DOCUMENT IS PROPRIETARY TO E-SWITCH AND IS NOT TO BE COPIED OR TRANSFERRED

A	INITIAL RELEASE	PCRD0051	09/06/06	CAB
REV.	DESCRIPTION	PCR	DATE	DRAWN BY

DIMENSIONS	
INCHES [MILLIMETERS]	
GENERAL TOLERANCES	
±0.020 [±0.5] / ±1'	
SCALE	PROJECTION
DRAWING NOT TO SCALE	1:1

ST34RE00		
DRAWING NUMBER	DATE	REVISION
34-ST34RE00	AUGUST 6, 2009	A